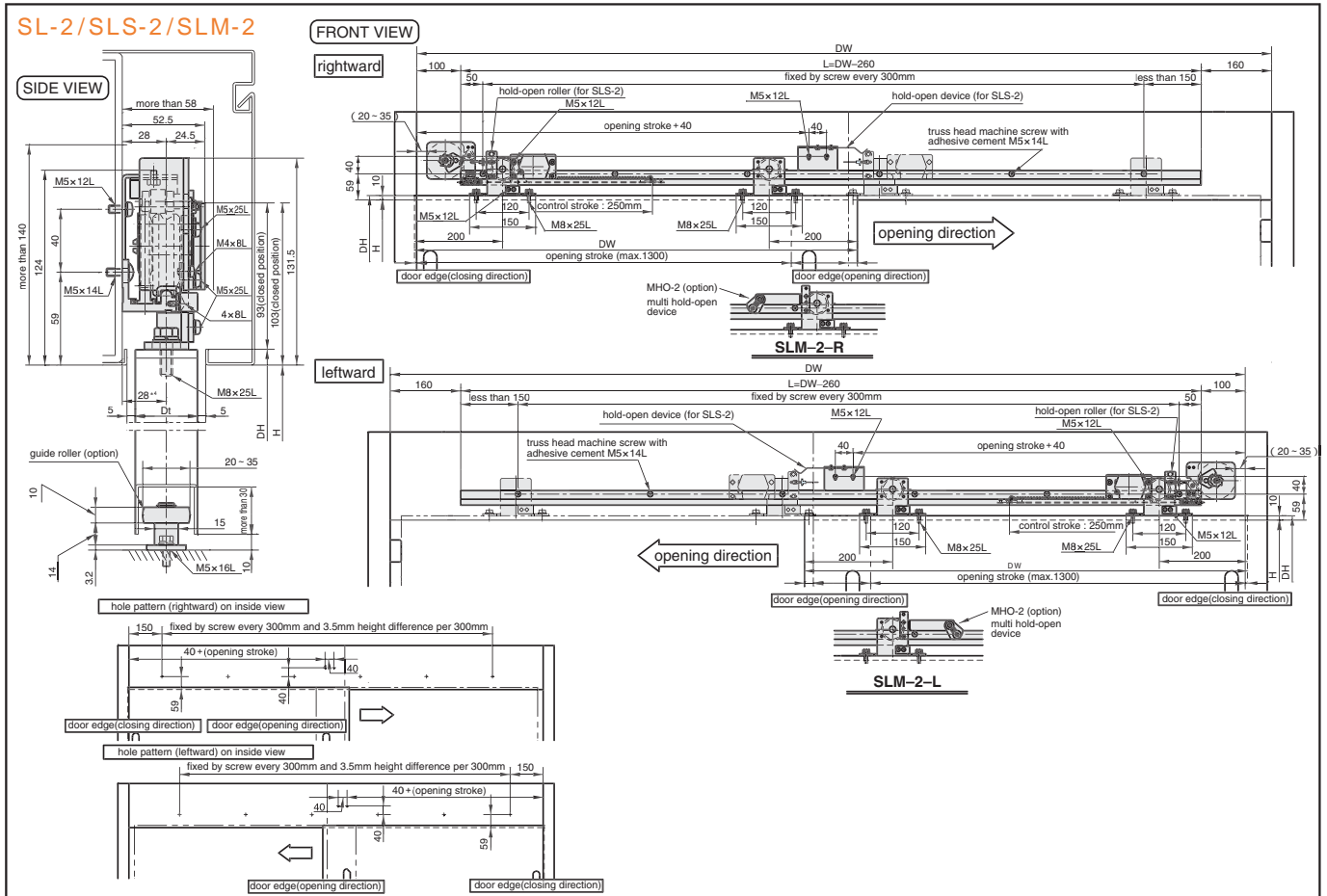
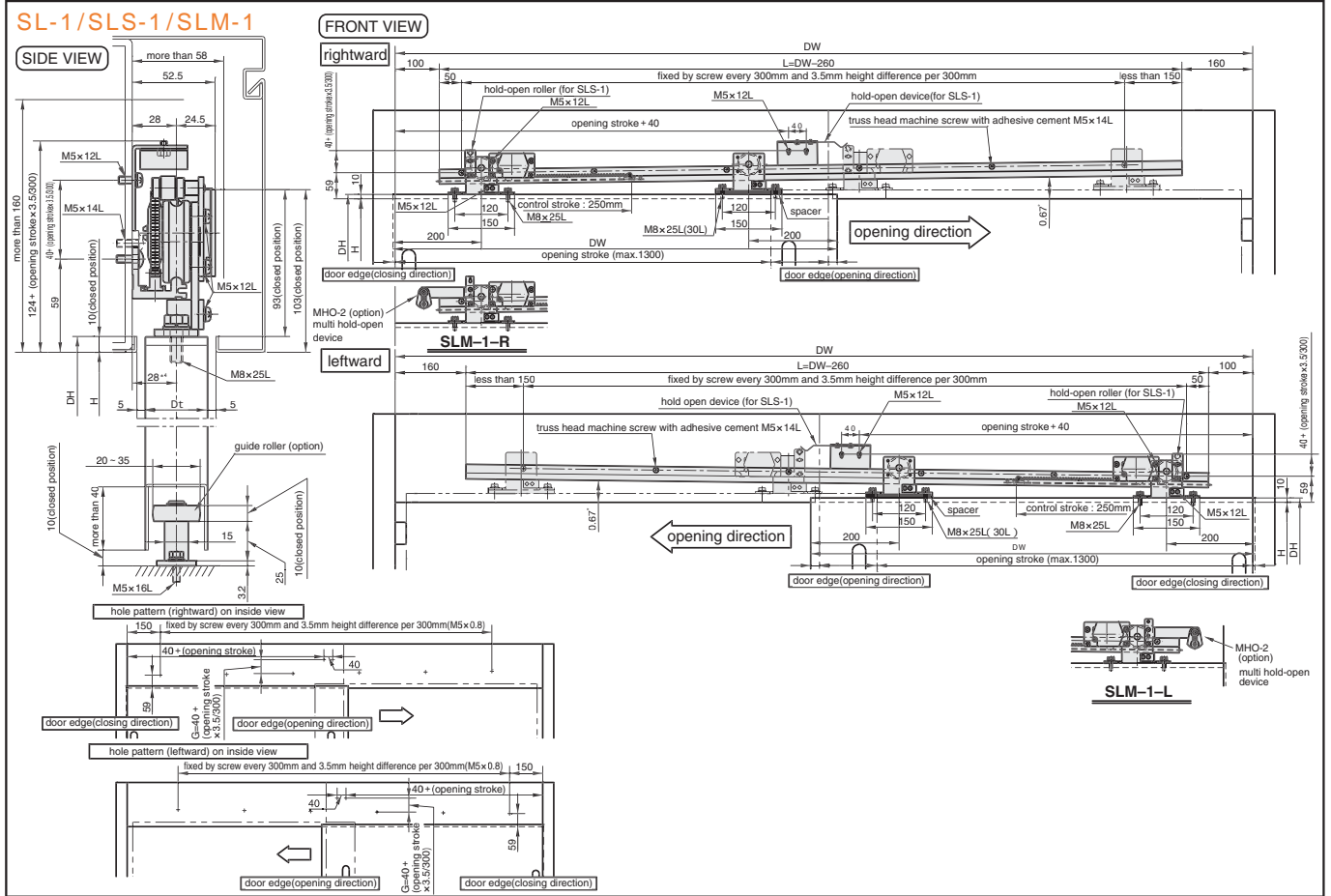


Sliding Door Closer RYOBI SL SERIES

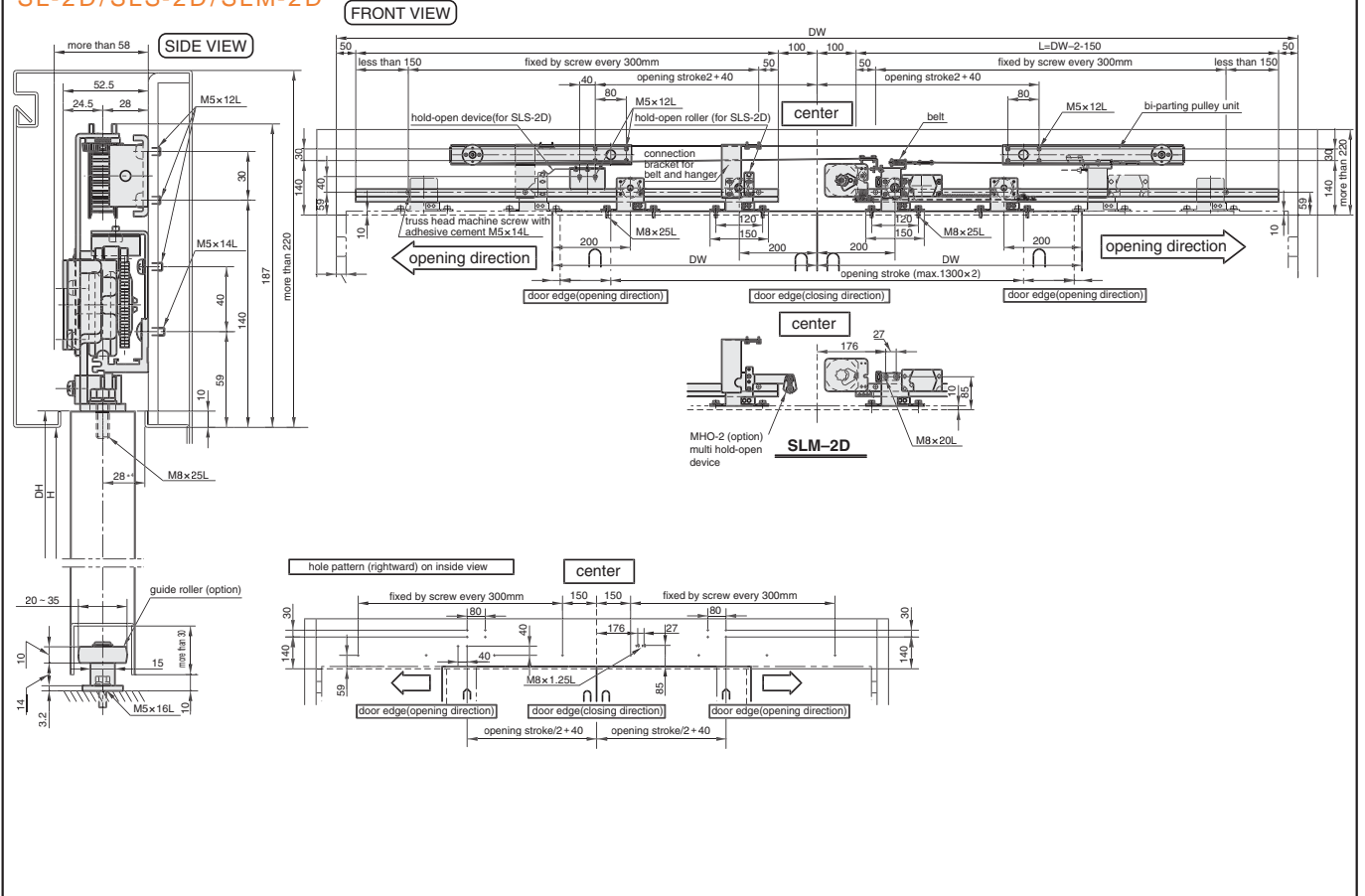
INSTALLATION DRAWING



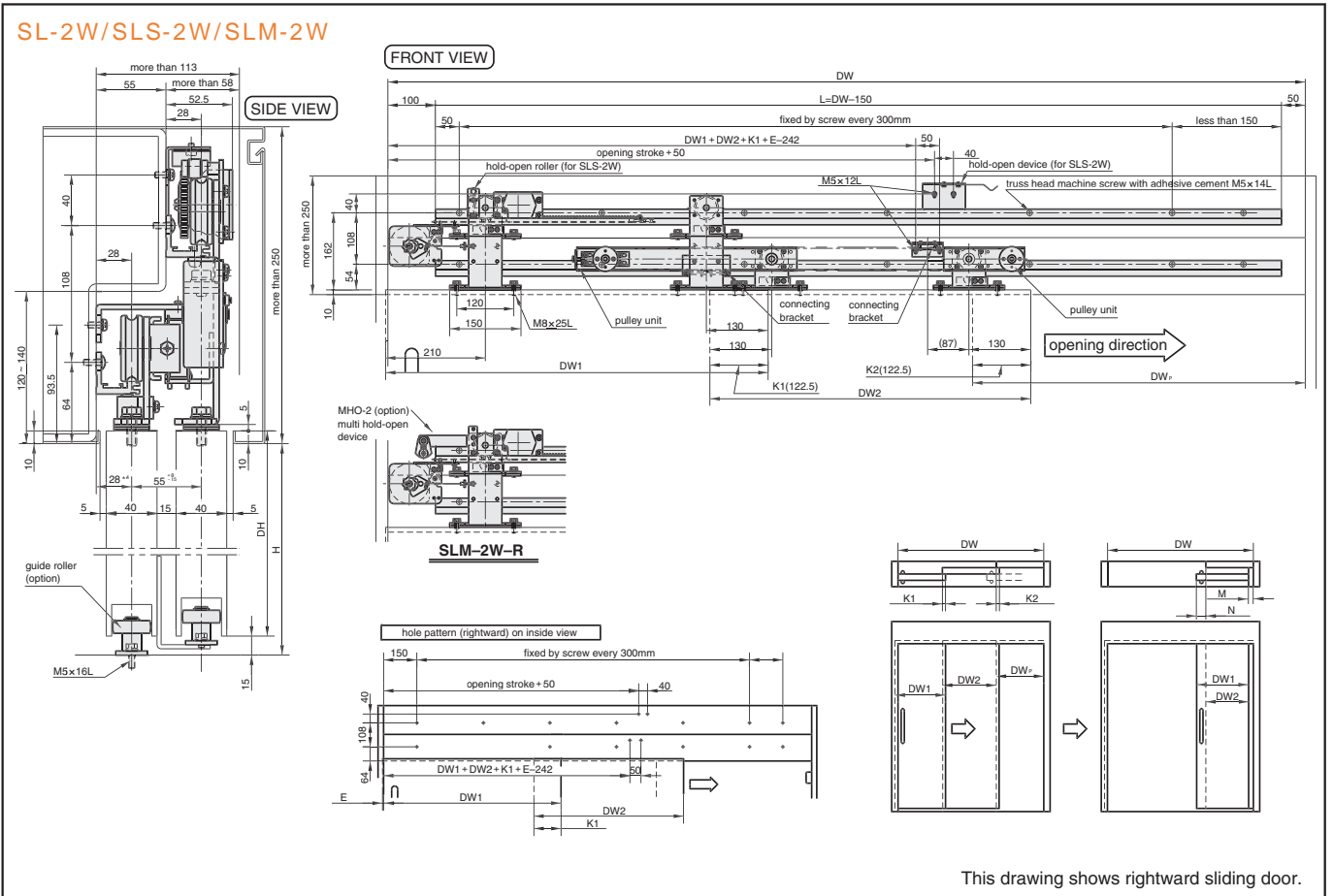
Sliding Door Closer RYOBI SL SERIES

INSTALLATION DRAWING

SL-2D/SLS-2D/SLM-2D

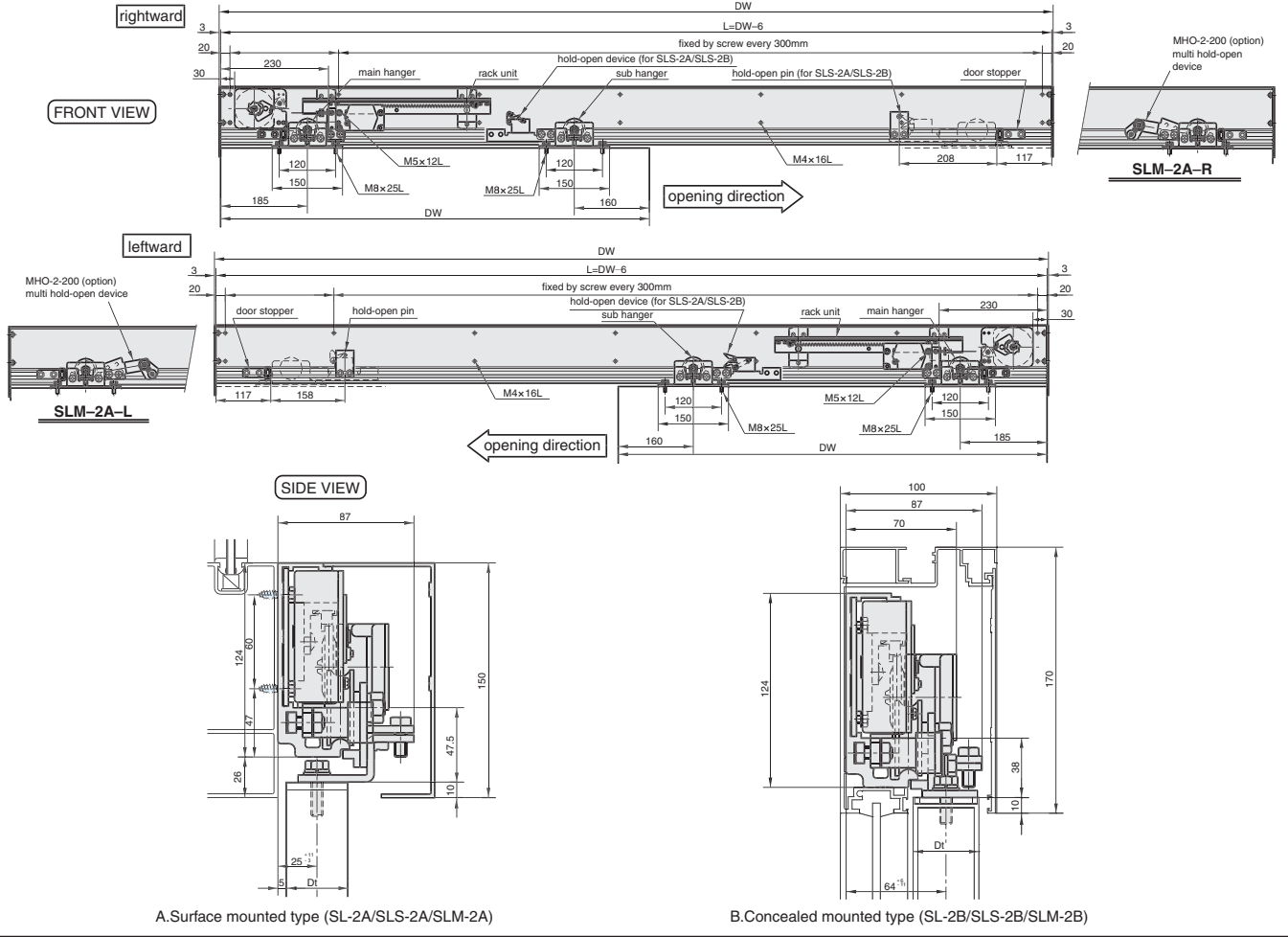


SL-2W/SLS-2W/SLM-2W

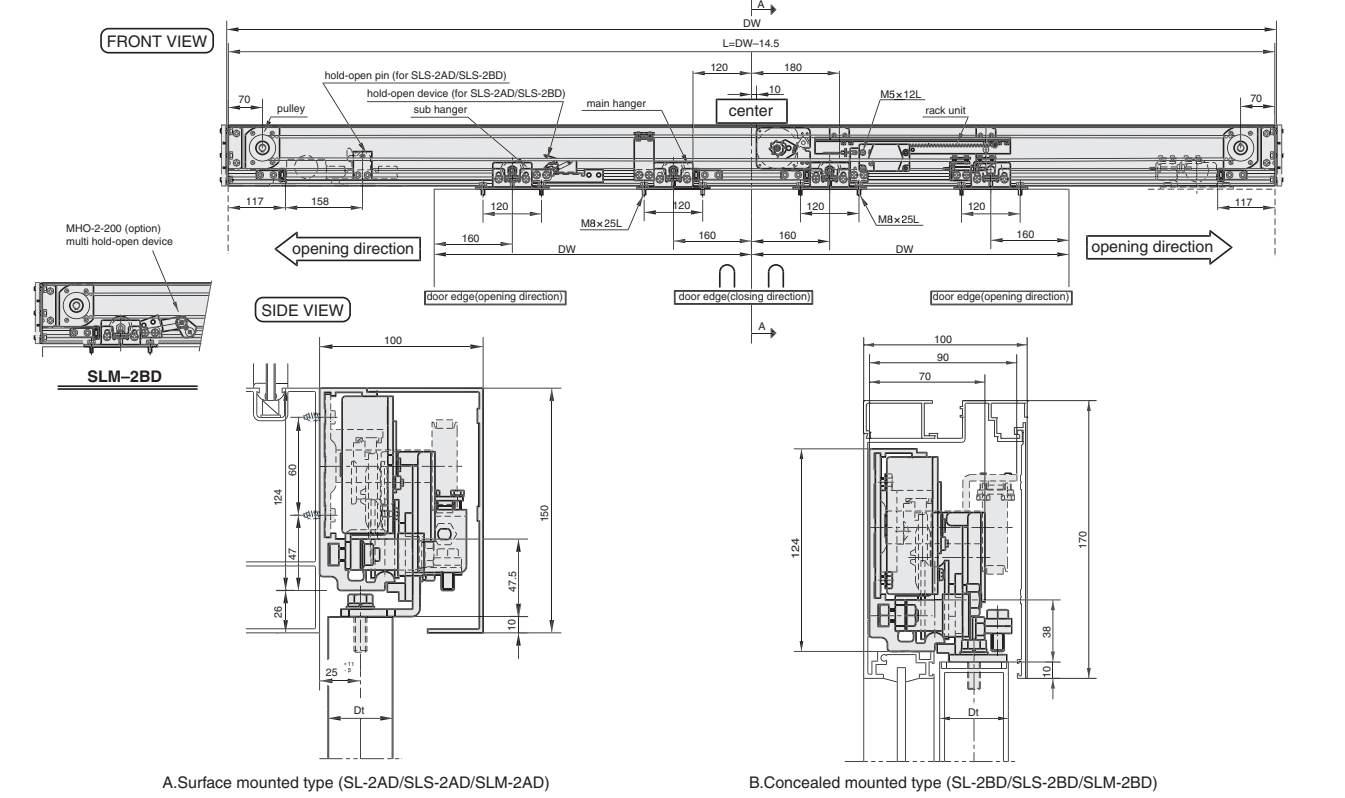


This drawing shows rightward sliding door.

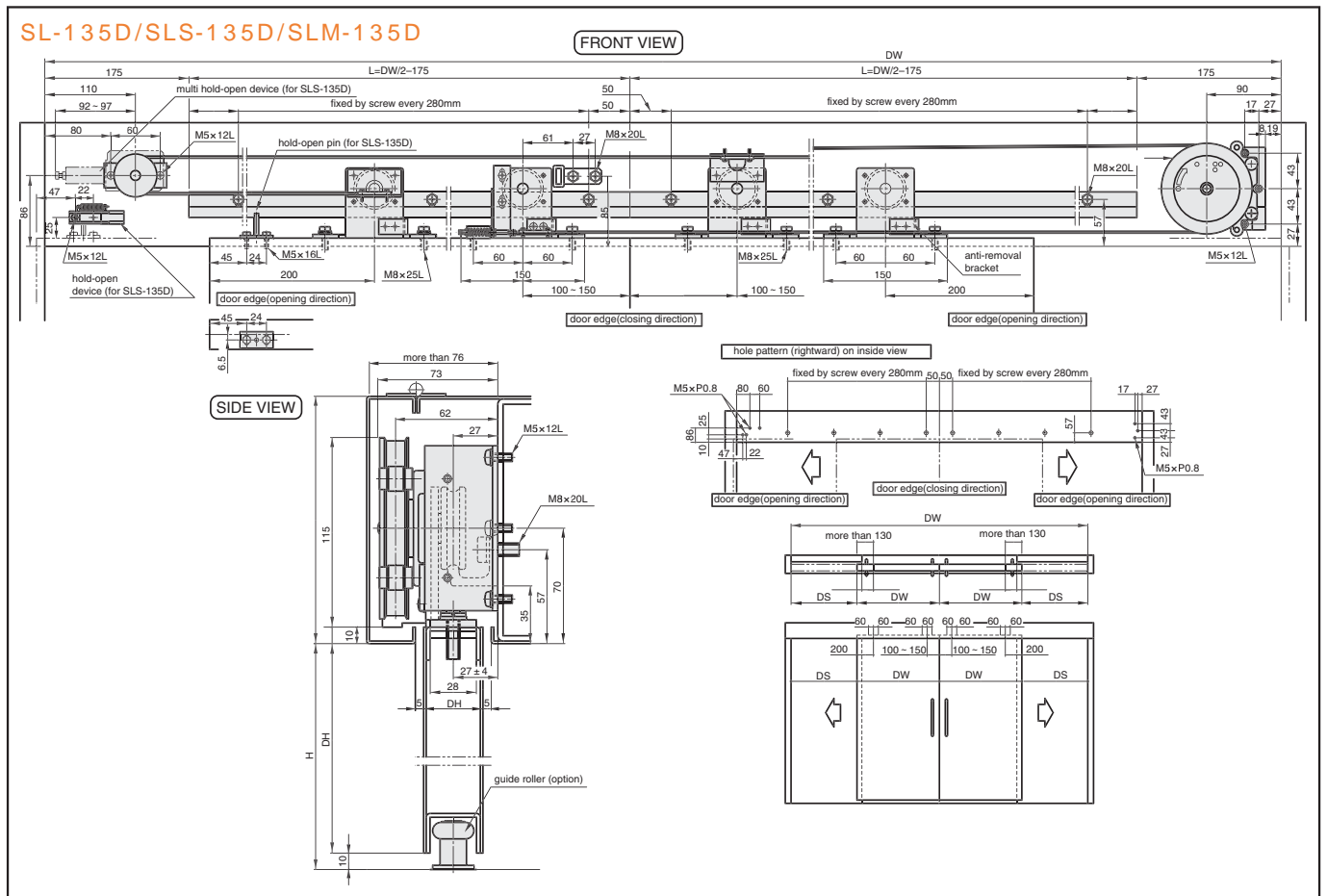
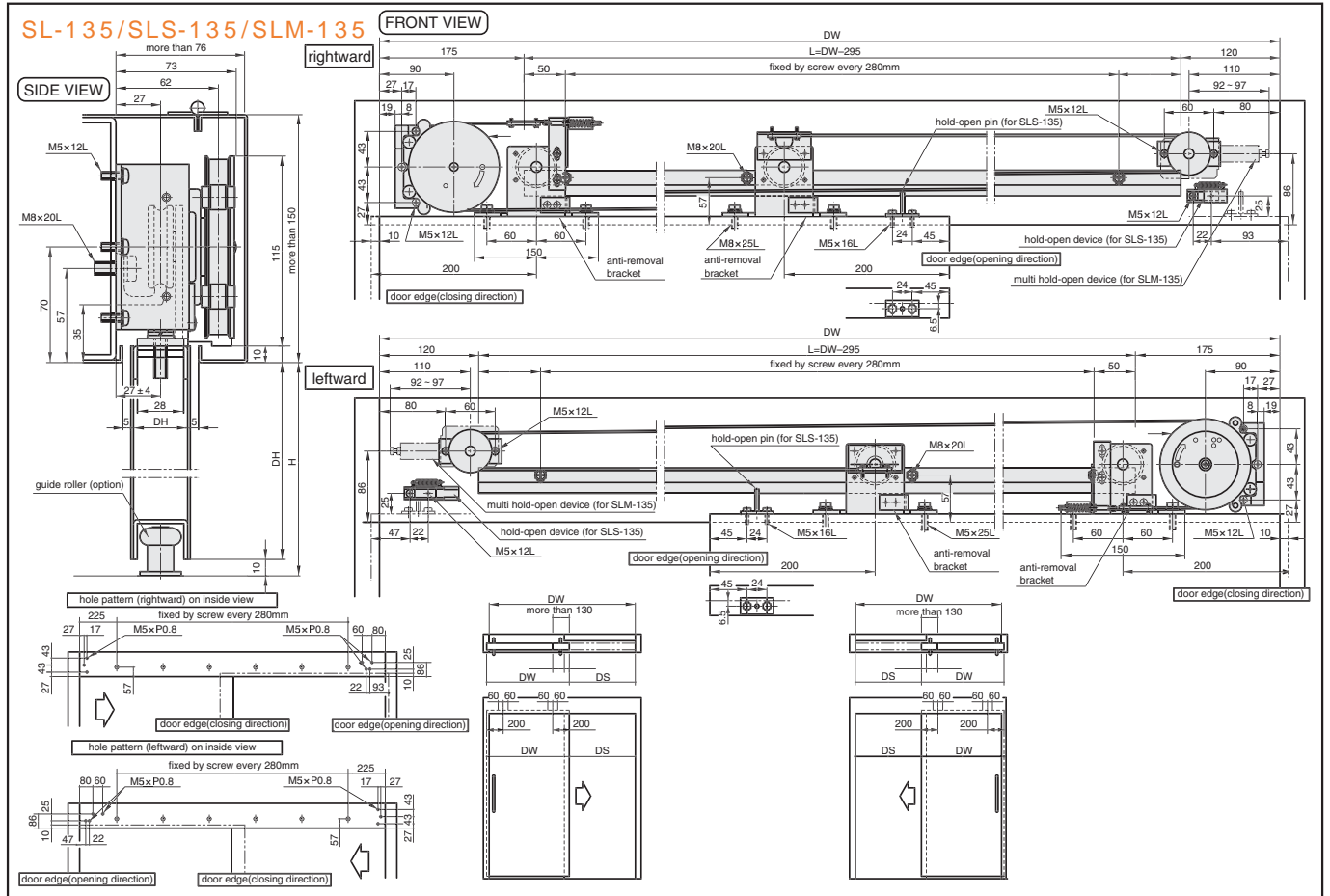
SL-2A/SLS-2A/SLM-2A/SL-2B/SLS-2B/SLM-2B



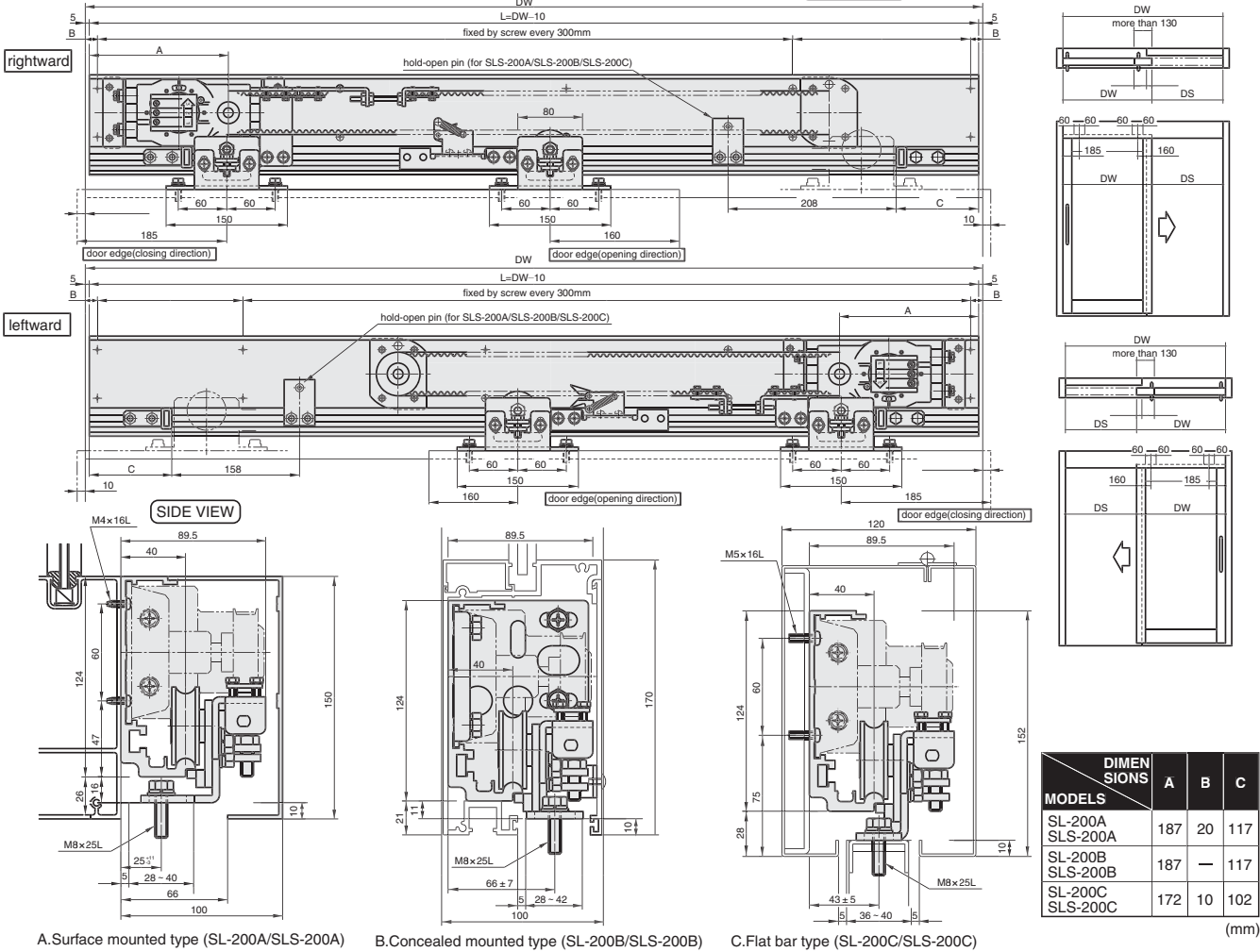
SL-2AD/SLS-2AD/SLM-2AD/SL-2BD/SLS-2BD/SLM-2BD



INSTALLATION DRAWING

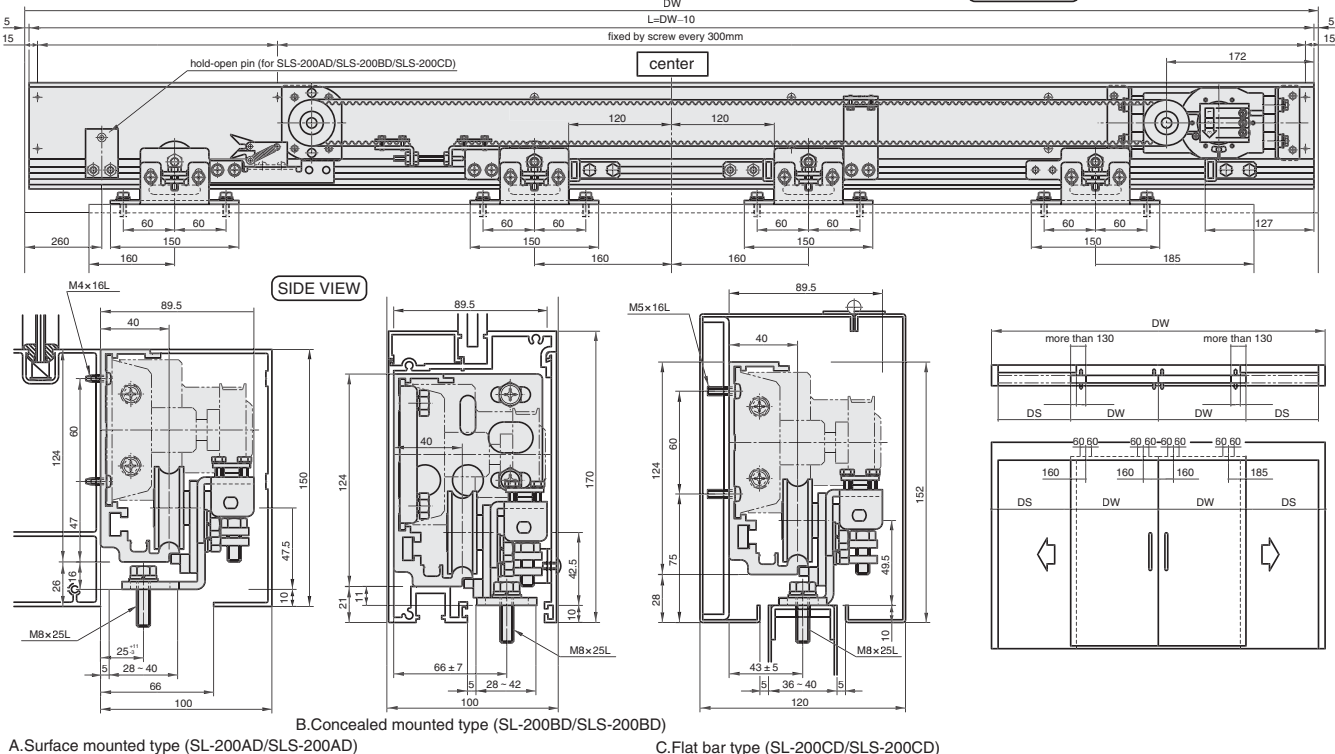


SL-200A/SLS-200A/SL-200B/SLS-200B/SL-200C/SLS-200C (FRONT VIEW)



A. Surface mounted type (SL-200A/SLS-200A) B. Concealed mounted type (SL-200B/SLS-200B) C. Flat bar type (SL-200C/SLS-200C)

SL-200AD/SLS-200AD/SL-200BD/SLS-200BD/SL-200CD/SLS-200CD (FRONT VIEW)



A. Surface mounted type (SL-200AD/SLS-200AD) B. Concealed mounted type (SL-200BD/SLS-200BD) C. Flat bar type (SL-200CD/SLS-200CD)