



GEZE ACCESSORIES FOR DOOR CLOSERS FROM COVER CAPS TO UPPER PIVOTS



GEZE ACCESSORIES FOR DOOR CLOSERS

CONTENTS

GEZE Accessories for floor springs

Floor-mounted pivot bearing and cover plate	4
Door rail for single-action doors	4
Door rail and upper pivot for single-action doors	5
Caps for door rails and upper pivots	8
Door rail for double-action doors	10
Upper pivot for double-action doors	11

GEZE Accessories for overhead door closers

Mechanical hold-open devices	12
Flexible opening restrictor	13
Caps	14
T-Stop guide rail	15

GEZE Accessories door closers generally

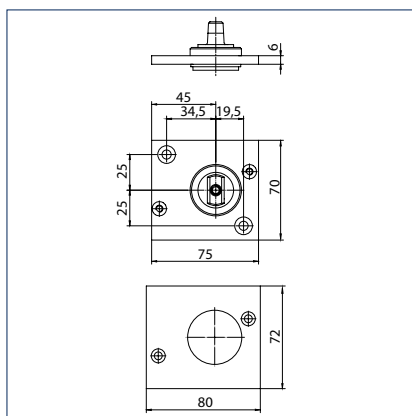
Smoke switch control unit RSZ 6	18
Smoke switch control unit RSZ 5	20
Smoke switch RS 5 and power supply RS 5/N	22
Smoke switch and power supply unit for multiple systems	25
Interrupter button	27
Magnetic door clamp	28
Magnetic counter plate	31
References	32

GEZE ACCESSORIES FOR DOOR CLOSERS

GEZE Floor-mounted pivot bearing TS 137 b / TS 32 b and cover plate for floor-mounted pivot bearing with flat conical and square spindle, door weight max. 250 kg, 75 x 70 mm with reinforcement plate



Pivot bearing with flat conical axis



Pivot bearing with flat conical axis

Order information

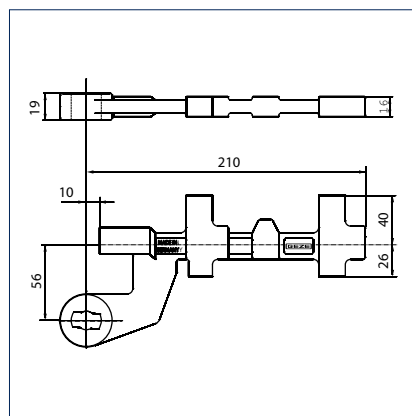
Description	Spindle extension	Version	ID.No.
GEZE floor-mounted pivot bearing TS 137 b with flat conical axle, max. door weight 250 kg, 75 x 70 mm with reinforcement plate	0 mm	silver-coloured	009788
	5 mm	silver-coloured	009790
GEZE Floor-mounted pivot bearing TS 32 b with square spindle, door weight max. 250 kg, 75 x 70 mm with thrust bearing	0 mm	silver-coloured	010556
	5 mm	silver-coloured	010564
Cover plate GEZE floor-mounted pivot bearing for type TS 137 b and TS 32 b		Stainless steel	012846

GEZE Door rail for single-action doors

Model DM, for metal doors



Door rail model DM



Door rail model DM

Application range

- for screwing in place
- can be adapted to almost every aluminium profile system thanks to flat taper (on request)

Order information

Description	Pivot type	Version	ID.No.
GEZE Door rail for single-action doors Model DM, for metal doors, on-site adaptation to profile system, without surface treatment ¹⁾	Flat cone	galvanised	037630
	Square	galvanised	037631
GEZE Door rail for single-action doors Model DM, for metal doors, adapted to profile system with flat cone or square ²⁾		galvanised	001068

1) Material: Steel, drop-forged

2) The profile system and profile combination used must be specified with the order.

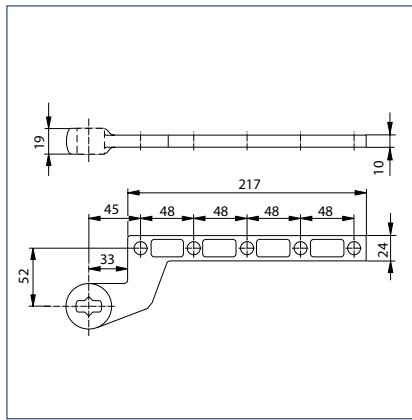
GEZE ACCESSORIES FOR DOOR CLOSERS

GEZE door rail and upper pivot for single-action doors

Model DB, for rebated & flush-impact metal and wooden doors



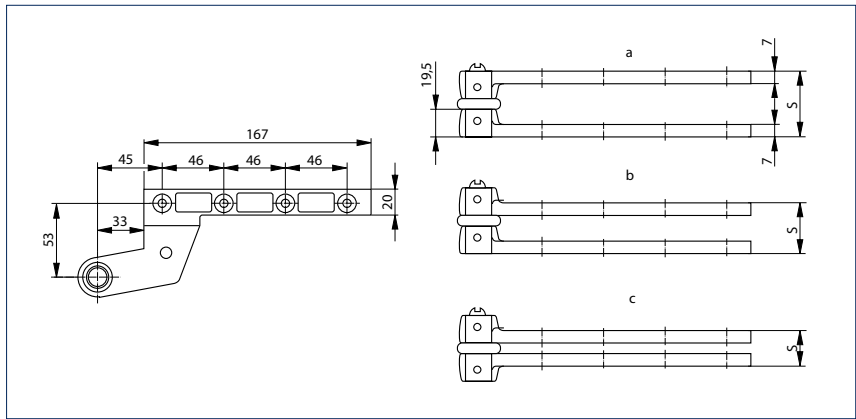
Door rail model DB



Door rail model DB



Upper pivot model DB



Upper pivot model DB

Pivot pin

Installation dimensions	Combination		
	a	b	c
Dimension=	S	S	S
Pivot pin 41 mm without intermediate ring	41	28,5	16
Pivot pin 45 mm without intermediate ring	45	32,5	20
Pivot pin 49 mm without intermediate ring	49	36,5	24

The standard version has a 45 mm pivot pin. 41 mm and 49 mm pivot pins must be ordered separately.

Order information

Description	Pivot type	Combination	Version	ID.No.
GEZE Door rail for single-action doors Model DB, for rebated & flush-impact metal and wooden doors ¹⁾	Flat cone		galvanised	044579
	Square		galvanised	037581
GEZE Upper pivot for single-action doors Model DB, for rebated & flush-impact metal and wooden doors ¹⁾		B DIN left	galvanised	044697
		B DIN right	galvanised	044680
		C	galvanised	044787
		A	galvanised	044676
Pivot pin 41 mm ¹⁾				008063
Pivot pin 49 mm ¹⁾				008022

¹⁾ Standard length of pivot pins = 45 mm

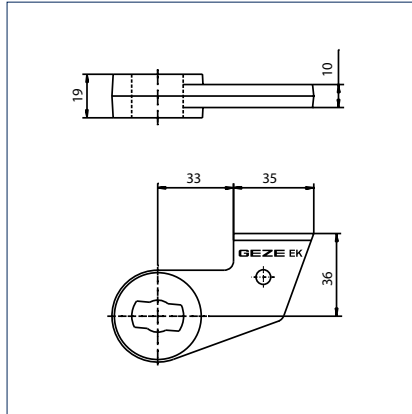
GEZE ACCESSORIES FOR DOOR CLOSERS

GEZE door rail and upper pivot for single-action doors

Model EK, for welding to steel doors



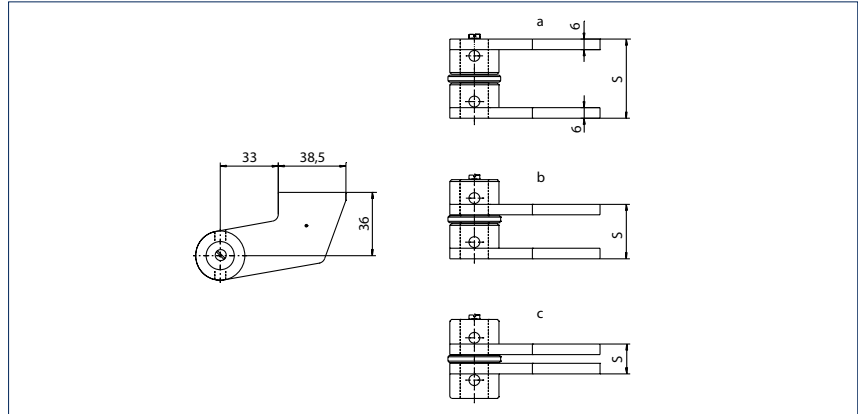
Door rail model EK



Door rail model EK



Upper pivot model EK



Upper pivot model EK

Pivot pin

Installation dimensions	Combination		
	a	b	c
Dimension=	S	S	S
Pivot pin 41 mm without intermediate ring	41	27	13
Pivot pin 45 mm without intermediate ring	45	31	17
Pivot pin 49 mm without intermediate ring	49	35	21

The standard version has a 45 mm pivot pin. 41 mm and 49 mm pivot pins must be ordered separately.

Order information

Description	Pivot type	Combination	Version	ID.No.
GEZE Door rail for single-action doors Model EK, for welding to steel doors ¹⁾	Flat cone		phosphated	008269
	Square		phosphated	006696
GEZE Upper pivot for single-action doors Model EK, for welding to steel doors ¹⁾		A	phosphated	006719
		B DIN left	phosphated	000889
		B DIN right	phosphated	000890
		C	phosphated	000891
Pivot pin 41 mm ¹⁾				008063
Pivot pin 49 mm ¹⁾				008022

¹⁾ Standard length of pivot pins = 45 mm

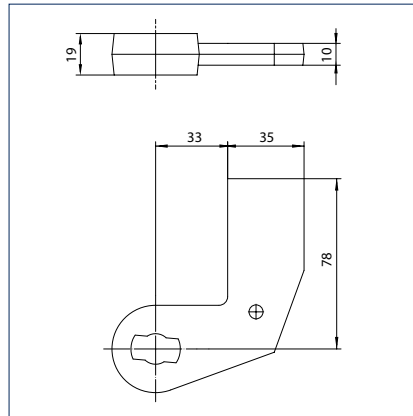
GEZE ACCESSORIES FOR DOOR CLOSERS

GEZE door rail and upper pivot for single-action doors

Model EK, for welding to steel doors



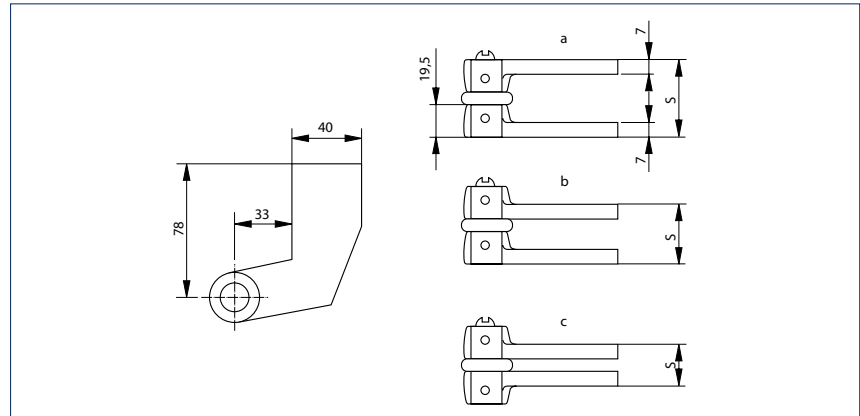
Door rail model FK



Door rail model FK



Upper pivot model FK



Upper pivot model FK

Pivot pin

Installation dimensions	Combination		
	a	b	c
Dimension=	S	S	S
Pivot pin 41 mm without intermediate ring	41	28	15
Pivot pin 45 mm without intermediate ring	45	32	19
Pivot pin 49 mm without intermediate ring	49	36	23

The standard version has a 45 mm pivot pin. 41 mm and 49 mm pivot pins must be ordered separately.

Order information

Description	Pivot type	Combination	Version	ID.No.
GEZE Door rail for single-action doors Model EK, for welding to steel doors ¹⁾	Flat cone		phosphated	008270
	Square		phosphated	006699
GEZE Upper pivot for single-action doors Model EK, for welding to steel doors ¹⁾		A	phosphated	006724
		B DIN left	phosphated	000895
		B DIN right	phosphated	000896
		C	phosphated	000897
Pivot pin 41 mm ¹⁾				008063
Pivot pin 49 mm ¹⁾				008022

¹⁾ Standard length of pivot pins = 45 mm

GEZE ACCESSORIES FOR DOOR CLOSERS

GEZE caps for door rails (flush-impact and rebated doors)

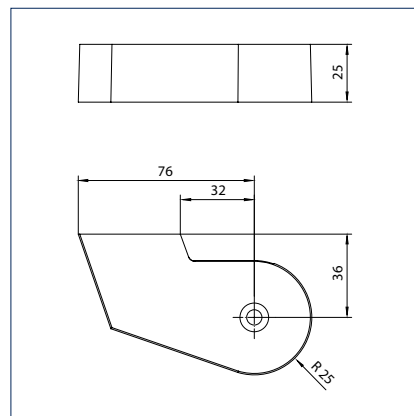
suitable for model DB, DM, EK, FK



Cap, left



Cap, right



Caps for door rails models DM, DB, EK, FK

Order information

Description	Hinge position/ opening direction	Surface	Version	ID.No.	
GEZE caps for door rails (flush-impact doors) suitable for model DB, DM, EK, FK	left	Anodised similar to stainless steel	Stainless steel effect	137586	
	left		dark bronze	052178	
	left	Anodised light alloy EV1	EV1	006794	
	left	Matt light alloy	aluminium, brass	006792	
	right	Anodised similar to stainless steel	Stainless steel effect	137577	
	right		dark bronze	052177	
	right	Anodised light alloy EV1	EV1	006798	
	right	Matt light alloy	aluminium, brass	006796	
	GEZE caps for door rails (rebated doors) suitable for model DB, DM, EK, FK ¹⁾	left	Anodised similar to stainless steel	Stainless steel effect	137618
		left		dark bronze	045199
		left	Anodised light alloy EV1	EV1	045196
		left	Matt light alloy	aluminium, brass	045184
		right	Anodised similar to stainless steel	Stainless steel effect	137617
		right		dark bronze	045183
right		Anodised light alloy EV1	EV1	045155	
right		Matt light alloy	aluminium, brass	045011	

¹⁾ The caps for the door rails and the pivot bottom are ground by 14 mm for installation on rebated doors.

GEZE ACCESSORIES FOR DOOR CLOSERS

GEZE caps for upper pivots (flush-impact and rebated doors)

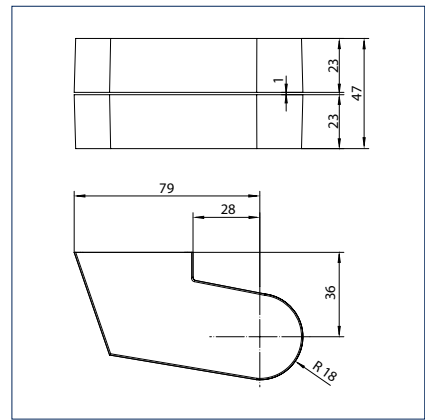
suitable for model DB, EK, FK



Cap, left



Cap, right



Caps for upper pivots models DB, EK, FK

Order information

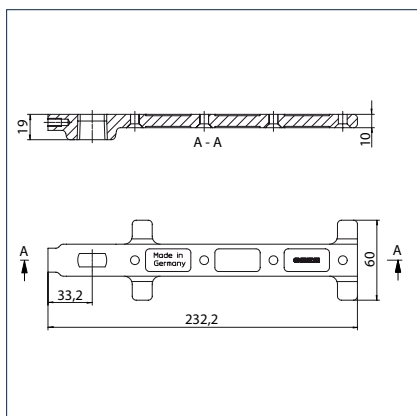
Description	Hinge position/ opening direction	Surface	Version	ID.No.
GEZE caps for upper pivots (flush-impact doors) suitable for model DB, EK, FK	left/right		dark bronze	001091
	left/right	Anodised light alloy EV1	EV1	001090
	left/right	Matt light alloy	aluminium, brass	001089
	left/right	Anodised similar to stainless steel	Stainless steel effect	137640
GEZE caps for upper pivots (rebated doors) suitable for model DB, EK, FK ¹⁾	left	Anodised similar to stainless steel	Stainless steel effect	137641
	left		dark bronze	038272
	left	Anodised light alloy EV1	EV1	037918
	left	Matt light alloy	aluminium, brass	037917
	right		dark bronze	038308
	right	Anodised light alloy EV1	EV1	038302
	right	Matt light alloy	aluminium, brass	038284
	right	Anodised similar to stainless steel	Stainless steel effect	137642

¹⁾ The caps for the door rails and the pivot bottom are ground by 14 mm for installation on rebated doors.

GEZE ACCESSORIES FOR DOOR CLOSERS

GEZE door rail for double-action doors

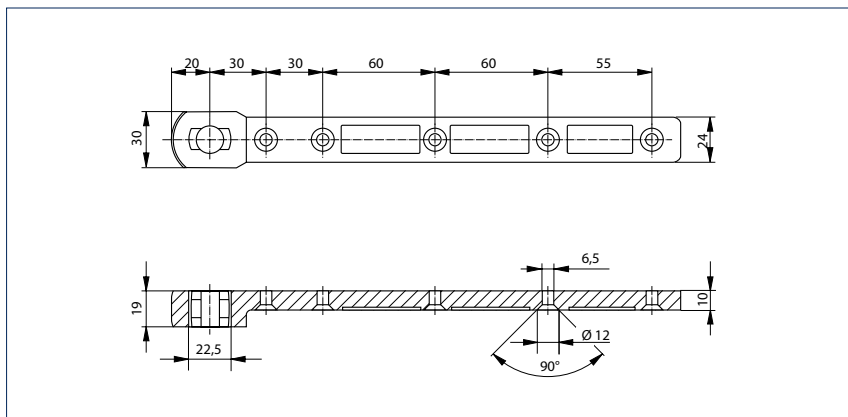
Model CM, C and S



Door rail model CM



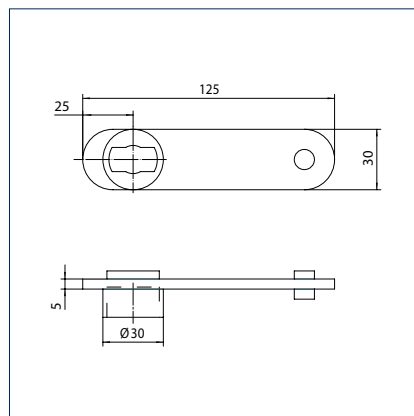
Door rail model C



Door rail model C



Door rail model S



Door rail model S

Order information

Description	Pivot type	Version	ID.No.
GEZE door rail for double-action doors Model CM, for metal doors, on-site adaptation to profile system, without surface treatment	Flat cone	galvanised	021817
GEZE door rail for double-action doors Model CM, for metal doors, adapted to profile system ¹⁾	Flat cone	galvanised	001067
GEZE door rail for double-action doors Model C, for metal and wooden doors	Flat cone	galvanised	007432
GEZE door rail for double-action doors Model S, for welding to steel doors	Flat cone	phosphated	007434

¹⁾ The profile system and profile combination used must be specified with the order.

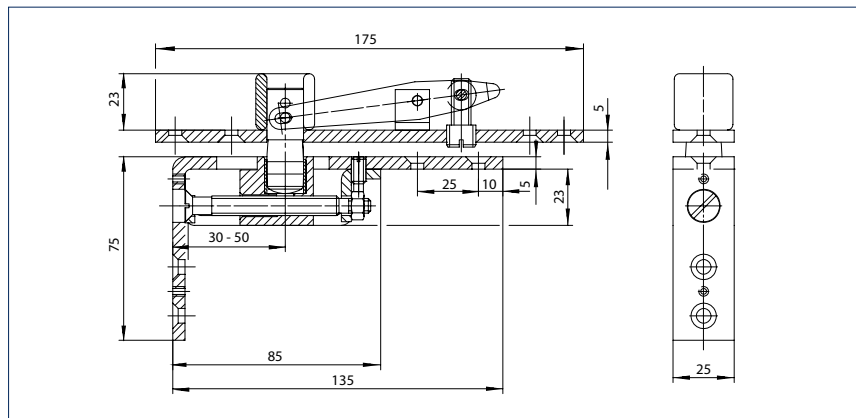
GEZE ACCESSORIES FOR DOOR CLOSERS

GEZE adjustable upper pivot for double-action doors

Models B and C, suitable for door rails C, CM, S



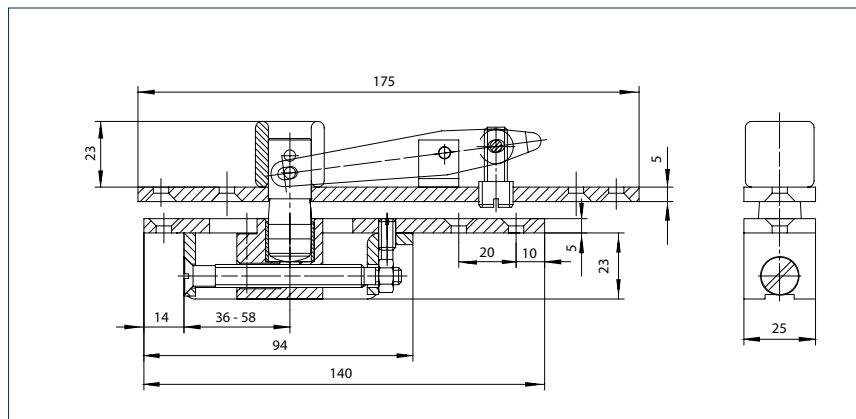
Adjustable pivot hinge model B



Adjustable pivot hinge model B



Adjustable pivot hinge model C



Adjustable pivot hinge model C

Order information

Description	Length of pivot pin	Surface	Version	ID.No.
GEZE adjustable upper pivot for double-action doors Model B, suitable for door rails C, CM, S	65 mm		galvanised	000903
	43 mm		galvanised	006371
	55 mm		galvanised	000108
GEZE adjustable upper pivot for double-action doors Model C, suitable for door rail C, CM, S	55 mm		galvanised	000905
	65 mm		galvanised	000904
	43 mm		galvanised	006666
Cover plate for pivot top Models B and C		Anodised light alloy E6/EV1		000876
		Anodised light alloy EV1		006376
		Matt light alloy		006375
Front plate for pivot bottom Model B		Anodised light alloy E6/EV1		000878
		Matt light alloy		006667

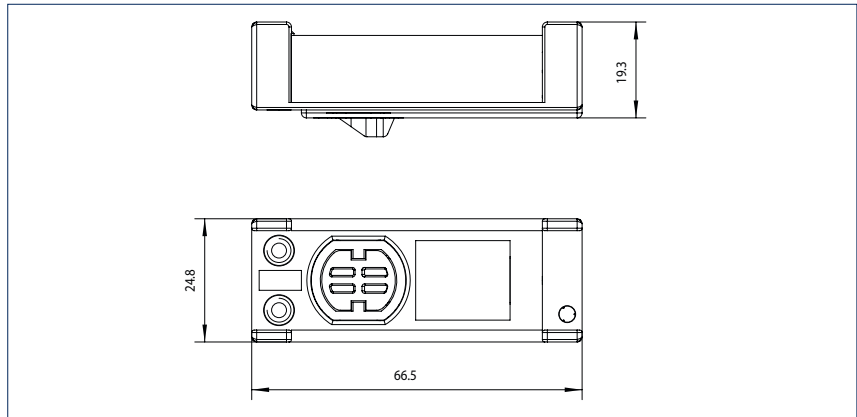
GEZE ACCESSORIES FOR DOOR CLOSERS

GEZE mechanical hold-open devices

for ISM guide rail, standard/T-Stop/Boxer 20.7 mm guide rail and Boxer 12 mm guide rail



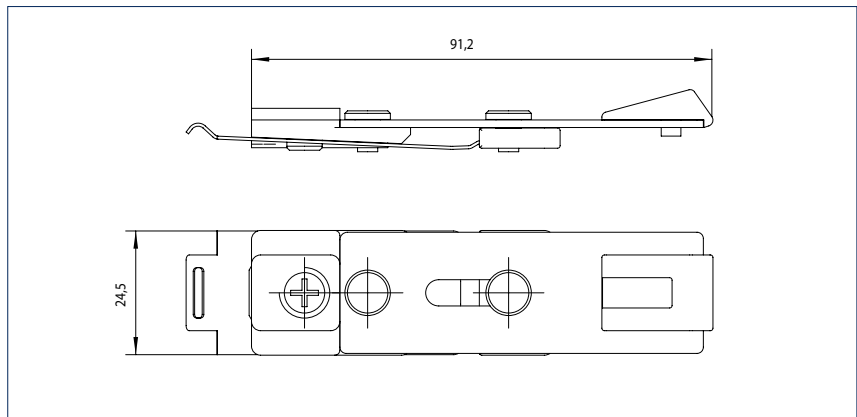
Mechanical hold-open device ISM



Mechanical hold-open device ISM



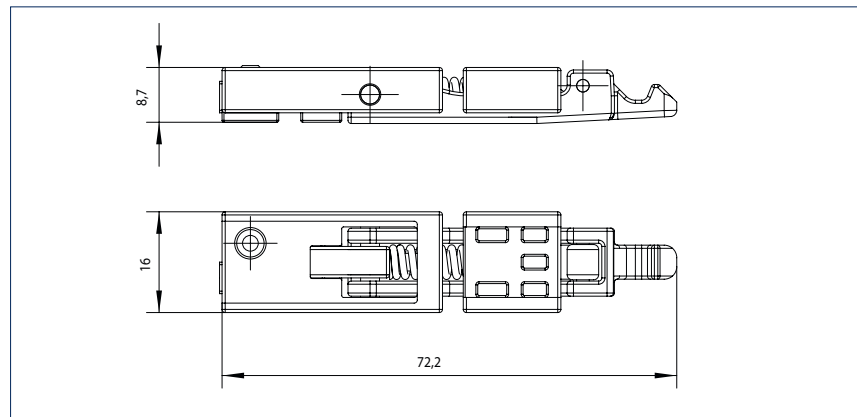
Mechanical hold-open device



Mechanical hold-open device



Mechanical hold-open device



Mechanical hold-open device Boxer 12 mm

Application range

- For holding a door leaf open mechanically at an angle of 80°-130°

Order information

Description	ID.No.
Mechanical hold-open device for ISM-guide rail, retention force adjustable, can be overridden ¹⁾	118437
Mechanical hold-open device for Standard / T-Stop / Boxer 20.7 mm guide rail, adjustable holding force, can be switched on and off, can be overridden	071924
Mechanical hold-open device for Boxer 12 mm guide rail, retention force adjustable, cannot be overridden	129145

¹⁾ Only for standard ISM guide rail

GEZE ACCESSORIES FOR DOOR CLOSERS

GEZE flexible opening restrictor for lightweight doors

for riveted guide rail, standard guide rail BG, Boxer 20.7 mm guide rail and Boxer 12 mm guide rail



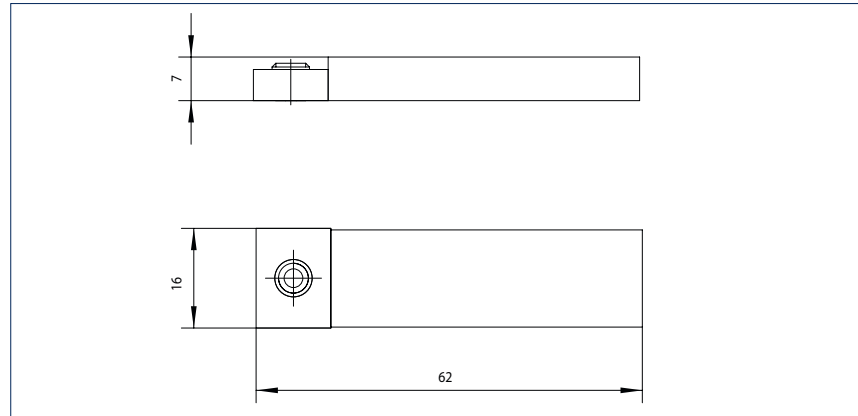
Flexible opening restrictor



Flexible opening restrictor



Opening restrictor for Boxer 12 mm guide rail



Opening restrictor for Boxer 12 mm guide rail

Application range

- The mechanical back check prevents a normally opened door from contacting an adjacent obstruction.
- Note: The mechanical back check cannot replace a door stop in individual cases.

Order information

Description	ID.No.
Flexible opening restrictor for lightweight doors for riveted guide rail, standard guide rail BG & Boxer 20.7 mm guide rail	069780
Flexible opening restrictor for lightweight doors for Boxer 12 mm guide rail	129343

GEZE ACCESSORIES FOR DOOR CLOSERS

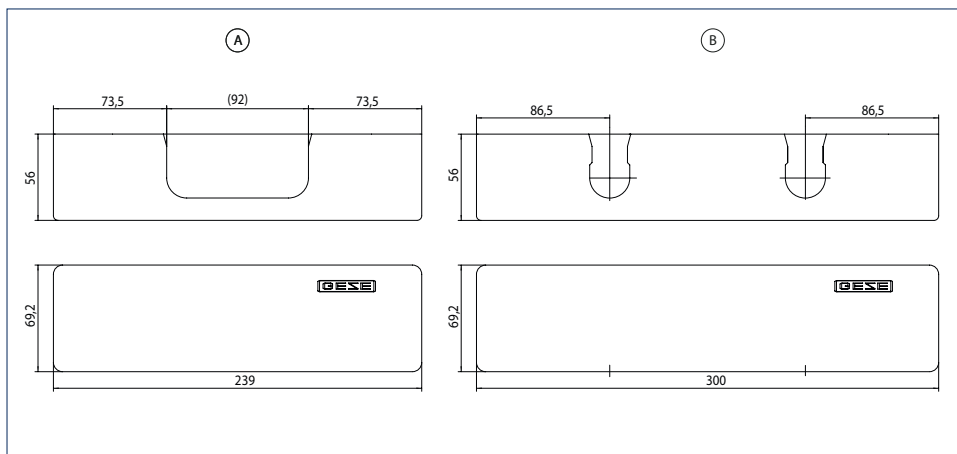
GEZE caps for door closers

for TS 1500, TS 3000/ TS 2000 and TS 5000/ TS 5000 L / TS 4000, can only be used for door leaf installation

Door closer cap



Door closer cap



A = Cap TS 3000/TS 2000
 B = Cap TS 5000/ TS 5000 L/ TS 4000

Order information

Description	Version	ID.No.
Door closer cap for TS 1500, can only be used for door leaf installation	silver-coloured	080147
	dark bronze	080148
	white RAL 9016	080149
	acc. to RAL	080150
Door closer cap for TS 3000/TS 2000, can only be used for door leaf installation	silver-coloured	013487
	dark bronze	014849
	white RAL 9016	014855
	Stainless steel	072769
	brass	072770
Door closer cap for TS 5000/ TS 5000 L / TS 4000, can only be used for door leaf mounting	acc. to RAL	014856
	silver-coloured	067724
	dark bronze	067725
	white RAL 9016	067726
	Stainless steel	072696
	brass	072698
	acc. to RAL	000756

GEZE T-Stop guide rail

Opening restrictor for doors

The GEZE T-Stop guide rail allows doors to be fitted without any door stops getting in the way.* The entrance looks nicer because the “tripping hazards” and dirt traps caused by door stops fitted to the floor are a thing of the past. This means the danger of crushing between the door leaf and the door stop e.g. in nurseries or schools has been banished.

The T-Stop guide rail has been designed for the overhead door closers GEZE TS 5000, TS 5000 L and TS 3000 V. The GEZE T-Stop guide rail has been made of specially reinforced aluminium profile with an integrated limiting mechanism. The limit position can be freely set, the rail is installed using the same hole pattern as the standard guide rail. Retrofitting to door closers already in use is no problem at all – all you have to do is replace the guide rail and the lever. In the case of heavy doors and doors under wind load, the possibilities must be clarified in advance. The T-Stop guide rail can also be fitted with a mechanical latching device as an option, making the doors easy to fix in an open position.

A supported GEZE pivot bearing can also be used in place of the door closer. The opening angle of the door is restricted by the T-Stop guide rail. The self-closing characteristic no longer applies in this case.

*a door stopper must be used in certain cases (see diagram)

T-Stop guide rail TS 5000/ TS 3000



Application range

- For doors mounted on the right or left for leaf installation on the hinge and opposite hinge side (no transom installation possible!)

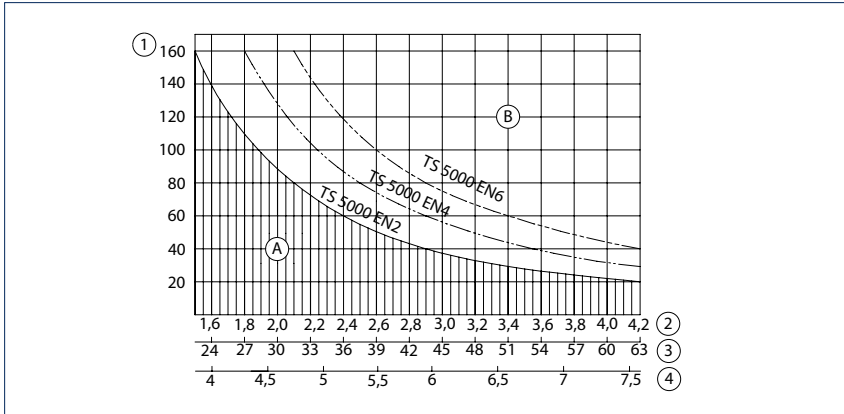
GEZE T-Stop guide rail with pivot bearing



Application range

- Opening restrictor for single-action doors without door closers
- Can be used for doors mounted on the right or left without conversion

GEZE ACCESSORIES FOR DOOR CLOSERS



Door width 1 m

- 1 = Door weight kg
- 2 = Opening speed (m/s)
- 3 = Wind speed (km/h)
- 4 = Wind force (Bft)
- A = Installation without door stopper
- B = Installation with door stopper



TS 5000 with T-Stop guide rail, Messe Stuttgart, Germany

GEZE ACCESSORIES FOR DOOR CLOSERS

Order information

Description	Version	ID.No.
T-Stop guide rail TS 5000/TS 3000 with integrated opening restrictor and lever	silver-coloured	102363
	white RAL 9016	108481
	Stainless steel effect ¹⁾	102364
	acc. to RAL ²⁾	102365
T-Stop guide rail BG TS 5000/TS 3000 with integrated opening restrictor and lever, use with closer on leaf installation on the opposite hinge side or with pivot bearing in leaf and transom installation opposite hinge side	silver-coloured	102366
	white RAL 9016	108482
	Stainless steel effect ¹⁾	102367
	acc. to RAL	102368
Pivot bearing for T-Stop guide rail supported	silver-coloured	112688
	white RAL 9016	112689
	acc. to RAL ²⁾	112690
Installation materials		
Mounting plate guide rail BG for standard / ECLine / T-Stop / EFS guide rail	silver-coloured	124683
	acc. to RAL ²⁾	124684
Guide rail mounting plate for standard / ECLine / T-Stop / EFS guide rail	silver-coloured	001512
	white RAL 9016	129252
	acc. to RAL ²⁾	104515
Lintel casing bracket guide rail BG for ECLine and T-Stop guide rail	silver-coloured	115006
	acc. to RAL ²⁾	115007

1) Only for dry rooms

2) Surcharge for RAL special colours, see General Information in the price list.



TS 5000 with T-Stop guide rail, Catholic Church Administration Building, Stuttgart, Germany

GEZE ACCESSORIES FOR DOOR CLOSERS

GEZE smoke switch control unit RSZ 6

Smoke switch and power supply for all GEZE hold-open devices

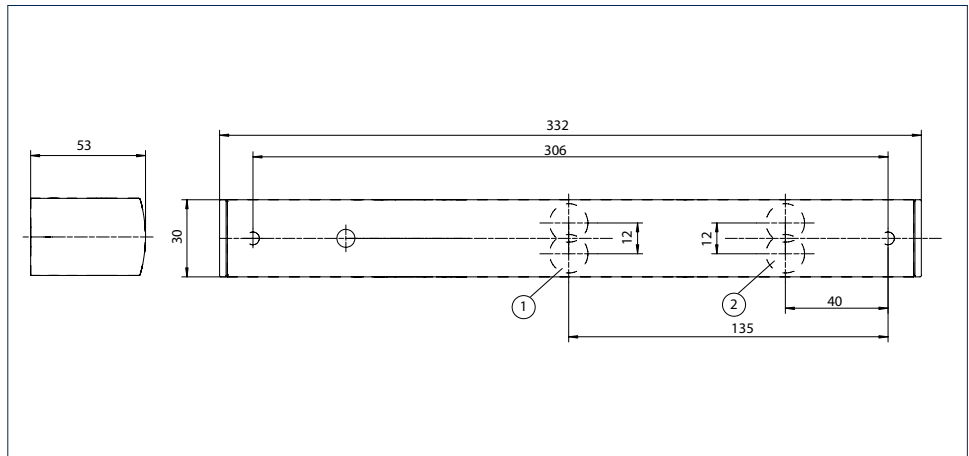
The GEZE smoke switch control unit RSZ 6 in the typical GEZE design has an overall height of 30 mm. It is connected to the 230 V power supply system and supplies the connected hold-open devices reliably with 24 V DC voltage (max. 200 mA).

The smoke switch control unit is mounted on the vertical wall above the door opening, thus making the early detection of fire and smoke possible (please keep at least 20 mm clear of the ceiling). If an alarm is triggered, the voltage supply to the hold-open devices (e.g. electrical hold-open device in the guide rail or retention magnet) is interrupted and the doors close immediately. The connection of two additional ceiling-mounted alarms may be necessary depending on requirements. The integrated smoke switch has automatic adaptation of the alarm threshold. This compensates light soiling of the smoke chamber and increases service life. The current state of the smoke switch is shown by an optical signal.

GEZE smoke switch control unit RSZ 6



GEZE smoke switch control unit RSZ 6



- 1 = Additional connections
2 = Power supply UP 230 V AC

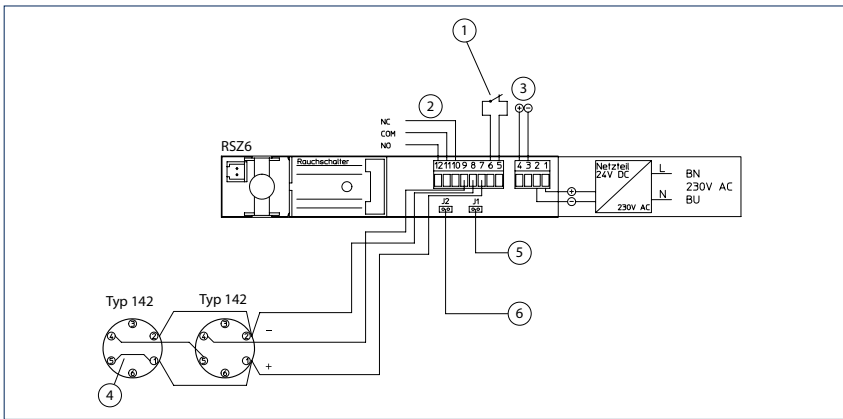
Application range

- Approved for use with all GEZE hold-open devices

Technical data

- Smoke detection - optical light scatter principle
- Operating voltage 230 V AC, 50 Hz, 6.3 W
- Total power consumption for door closer/retention magnet max. 250 mA
- Ambient temperature 0° to +50°C
- Resistant to short-circuit
- Enclosure rating IP 20

Wiring diagram:



RSZ6 with ceiling-mounted alarm type 142

- 1 = Circuit breaker
- 2 = Potential-free alarm contact max. 24 V, 1 A
- 3 = Output for hold-open device, max. 200 mA switched through smoke switch 24 V DC
- 4 = Jumpers 1-5
- 5 = Jumper 1, black (remove when circuit breaker is connected)
- 6 = Jumper 2, red (remove when additional smoke switch is connected)

Order information

Description	Version	ID.No.
GEZE smoke switch control unit RSZ 6 Smoke switch and power supply for all GEZE hold-open devices	silver-coloured	099851
	dark bronze	099857
	white RAL 9016	099858
	Stainless steel effect ¹⁾	099856
	acc. to RAL ²⁾	099859
Accessories GEZE RS 5 smoke switch for mounting on ceiling and lintel	silver-coloured	027052
	dark bronze	028939
	white RAL 9016	028940
	Stainless steel effect ¹⁾	028942
	acc. to RAL ²⁾	028941
GEZE smoke switch type 142 Complete with base, 24 V DC, 25 mA	white	091273
GEZE interrupter button with glass cover and 5 exchangeable lettering Concealed version, for manual release of electrically controllable door hold-open devices		120880
GEZE interrupter button Concealed version, for manual release of electrically controllable door hold-open devices		116266
Surface-mounted box, single suitable for the AS 500 switch range		120503
Replacement glass cover for GEZE interrupter button 120880 and 120881		010994

¹⁾ Only for dry rooms

²⁾ Surcharge for RAL special colours, see General Information in the price list.

GEZE ACCESSORIES FOR DOOR CLOSERS

GEZE smoke switch control unit RSZ 5

Smoke switch and power supply for all GEZE hold-open devices

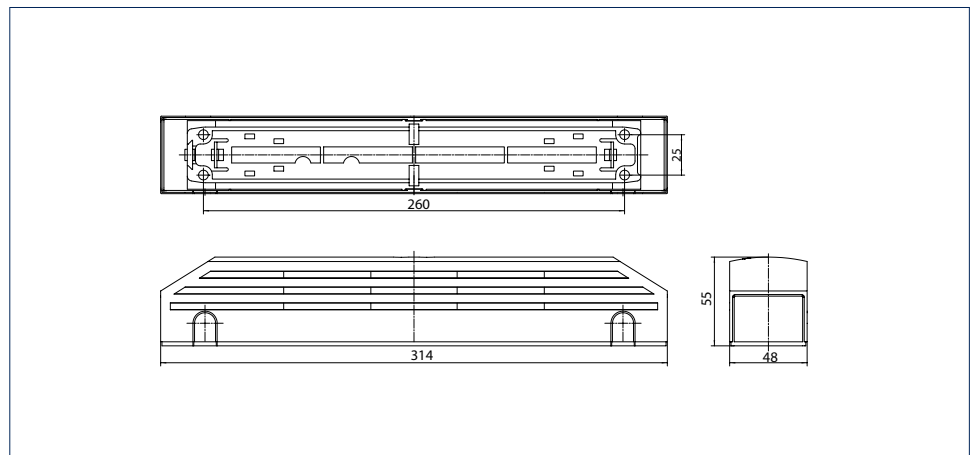
The GEZE RSZ 5 smoke switch control unit is an early warning device for detecting fires and smoke. It controls the hold-open devices for fire and smoke closing (integrated 24 V power supply).

The RSZ 5 can be used both for door closers with hold-open device and retention magnets. The connection of additional smoke switches is also possible. The 230 V voltage supply is available as surface or flush mounted version.

GEZE smoke switch control unit RSZ 5



GEZE smoke switch control unit RSZ 5



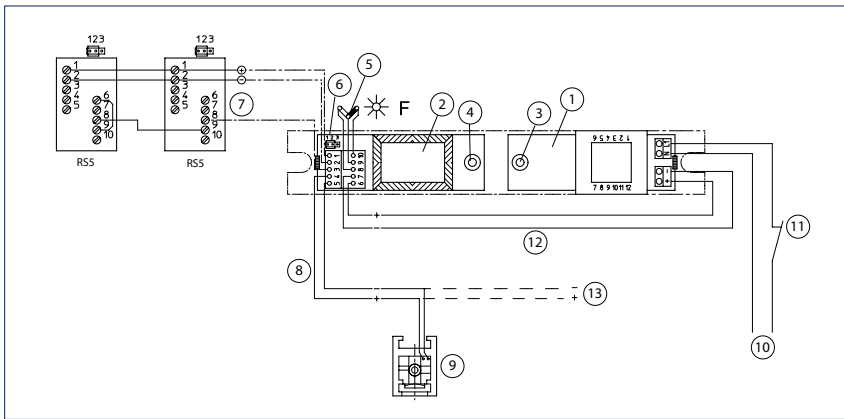
Application range

- Approved for use with all GEZE hold-open devices

Technical data

- Smoke detection - optical light scatter principle
- Operating voltage 230 V AC, 80 mA, 50 Hz
- Total power consumption max. 230 mA
- Ambient temperature -5° to +50°C
- Fuse T 315 mA „L“
- Enclosure rating IP 20

Wiring diagram:



- 1 = Power supply unit (smoke switch mains adapter RS5(N))
- 2 = Smoke detector
- 3 = Status display LED green
- 4 = Alarm display LED red
- 5 = Potential-free contact to the external smoke detection display
- 6 = Plug-in jumper
- 7 = Connection of additional smoke switches (max. 2 units) GEZE RS5
- 8 = Connection for door closers with hold-open mechanism and retention magnet
- 9 = Connecting terminal E slide rail
- 10 = Mains 230 V
- 11 = Interrupter button
- 12 = 24 V DC
- 13 = or TS 4000 E, retention magnet, etc.

Order information

Description	Version	ID.No.
GEZE smoke switch control unit RSZ 5 approved for all GEZE hold-open devices	silver-coloured	028357
	dark bronze	028960
	white RAL 9016	028961
	Stainless steel effect ¹⁾	028963
	acc. to RAL ²⁾	028962
Accessories		
GEZE RS 5 smoke switch for mounting on ceiling and lintel	silver-coloured	027052
	dark bronze	028939
	white RAL 9016	028940
	Stainless steel effect ¹⁾	028942
	acc. to RAL ²⁾	028941
GEZE smoke switch type 142 Complete with base, 24 V DC, 25 mA	white	091273
GEZE interrupter button with glass cover and 5 exchangeable lettering Concealed version, for manual release of electrically controllable door hold-open devices		120880
GEZE interrupter button Concealed version, for manual release of electrically controllable door hold-open devices		116266
Surface-mounted box, single suitable for the AS 500 switch range		120503
Replacement glass cover for GEZE interrupter button 120880 and 120881		010994

¹⁾ Only for dry rooms

²⁾ Surcharge for RAL special colours, see General Information in the price list.

GEZE ACCESSORIES FOR DOOR CLOSERS

GEZE smoke switch RS 5 and power supply RS 5/N

Smoke switch for ceiling or lintel installation

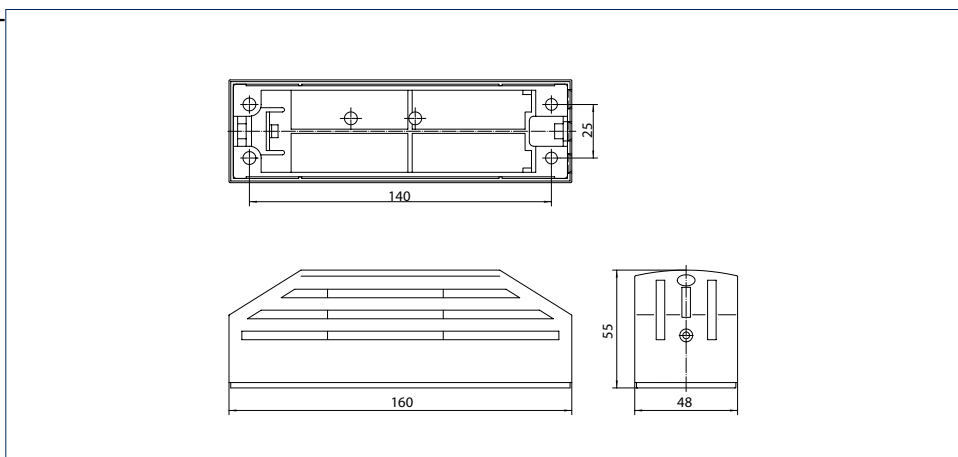
The GEZE RS 5 smoke switch is an early warning device for detecting fires and smoke. In the case of smoke recognition (optical light scatter principle) it interrupts the power supply to the hold-open device. The RS 5 can be used both for door closers with hold-open device and retention magnets. The 24 V DC voltage supply is available as surface and flush-mounted version.

The GEZE RS 5 / N power supply is used to supply power to the GEZE RS 5 smoke switch control unit and the door closer with hold-open device or retention magnet.

GEZE smoke switch RS 5 and power supply RS 5/N



GEZE smoke switch RS 5 and power supply RS 5/N



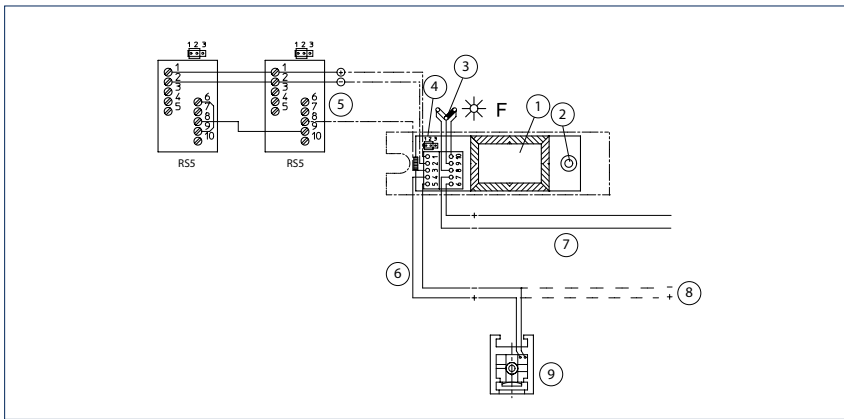
Application range

- For ceiling or lintel installation

Technical data

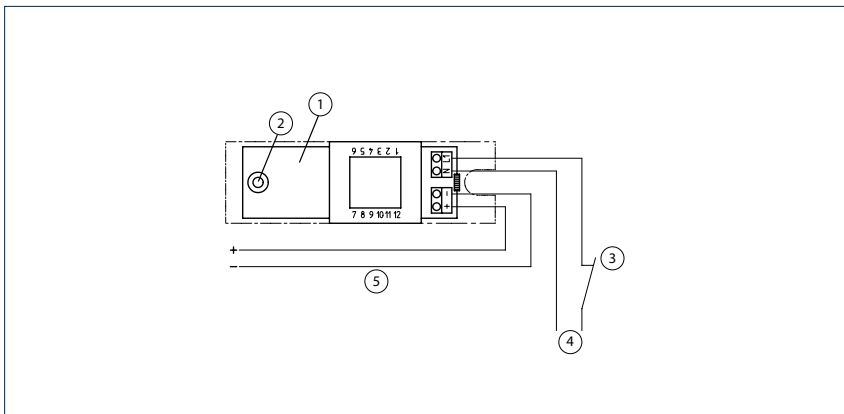
- Feeder 2 x 1.5 mm² 230 V AC, 80 mA, 50 Hz
- Output voltage 24 V DC
- Output current max. 250 mA
- Ambient temperature -5° to +50°C

Wiring diagram RS 5:



- 1 = Smoke detector
- 2 = Alarm display LED red
- 3 = Potential-free contact to the external smoke detection display
- 4 = Plug-in jumper
- 5 = Connection of 1 additional smoke switch
- 6 = Connection for door closers with hold-open mechanism and retention magnet
- 7 = 24 V DC
- 8 = or TS 4000 E, retention magnet, etc.
- 9 = Connecting terminal E slide rail

Wiring diagram RS 5/N:



- 1 = Power supply unit
- 2 = Status display LED green
- 3 = Interrupter button
- 4 = Mains 230 V
- 5 = 24 V DC

GEZE ACCESSORIES FOR DOOR CLOSERS

Order information

Description	Version	ID.No.
GEZE RS 5 smoke switch for mounting on ceiling and lintel	silver-coloured	027052
	dark bronze	028939
	white RAL 9016	028940
	Stainless steel effect ¹⁾	028942
	acc. to RAL ²⁾	028941
GEZE power supply 24 V DC for supplying power for the RS 5 smoke switch and door closers with electrical hold-open or magnets	silver-coloured	027053
	dark bronze	028950
	white RAL 9016	028951
	Stainless steel effect ¹⁾	028953
	acc. to RAL ²⁾	028952
Accessories		
GEZE smoke switch type 142 Complete with base, 24 V DC, 25 mA	white	091273
GEZE interrupter button with glass cover and 5 exchangeable lettering Concealed version, for manual release of electrically controllable door hold-open devices		120880
GEZE interrupter button Concealed version, for manual release of electrically controllable door hold-open devices		116266
Surface-mounted box, single suitable for the AS 500 switch range		120503
Replacement glass cover for GEZE interrupter button 120880 and 120881		010994

¹⁾ Only for dry rooms

²⁾ Surcharge for RAL special colours, see General Information in the price list.

GEZE smoke switch and power supply unit for multiple systems

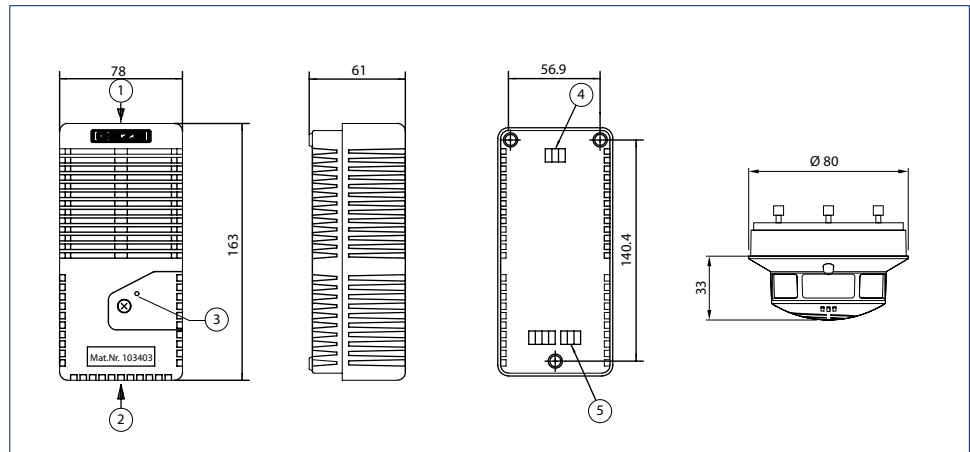
GEZE smoke switch type 142

The GEZE smoke switch type 142 is an early warning device for detecting smouldering fires and open fires with smoke development. An additional temperature sensor reacts at an ambient temperature of 70°C. The optical smoke detector works according to the light scatter principle. The inside of the detector is formed as a labyrinth into which a measuring ray of light is sent in impulse format. When smoke enters the system, the reflection of this ray of light is recognised by a light-sensitive photo element and an alarm signal is transmitted to the smoke protection switch. An outstanding product feature of the smoke switch is its long service life. Thanks to its adaption of the alarm threshold, the current soiling of the smoke switch is controlled intelligently and the triggering threshold permanently adapted. The smoke switch always knows whether and how much soiling has to be taken into account as an interference factor. These states are indicated on the outside of the smoke switch by a multi-coloured LED.

GEZE smoke switch and power supply unit for multiple systems



GEZE smoke switch and power supply unit for multiple systems



- 1 = Main
- 2 = Output
- 3 = Status display
- 4 = Power supply
- 5 = Output voltage

Application range

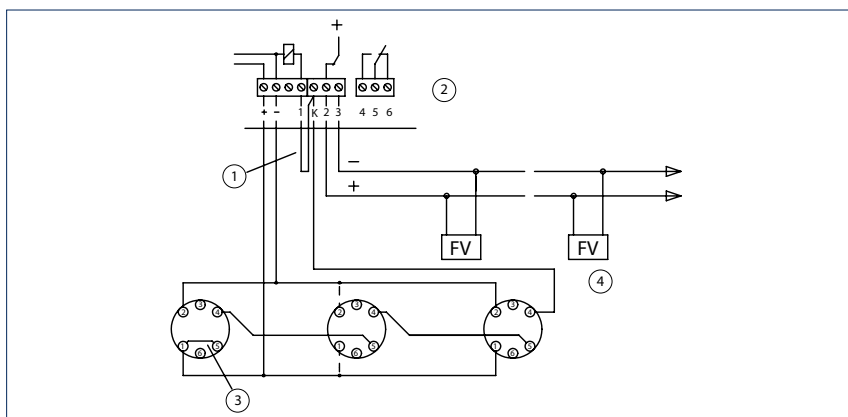
- Smoke switch for multiple systems

Technical data

- Connection of several smoke systems of the type 142 as well as several hold-open mechanisms e.g. GEZE retention magnet or door closer with integrated electric hold-open device is possible up to a max. overall capacity of 21 W.
- Mains voltage 230 V AC 50 Hz
- Output voltage 24 V DC

GEZE ACCESSORIES FOR DOOR CLOSERS

Wiring diagram:



- 1 = Insert jumper
- 2 = Relay position: System switched on, in idling state
- 3 = Set jumper
- 4 = Hold-open device (FV) e.g. retention magnet, TS-5000 E etc.

Order information

Description	Version	ID.No.
GEZE smoke switch type 142 Complete with base, 24 V DC, 25 mA	white	091273
GEZE power supply unit and actuator NAG03 24V DC, for multiple systems up to 0.9A/21W, corresponds to max. 6 magnetic locks		103403
Accessories		
GEZE interrupter button with glass cover and 5 exchangeable lettering Concealed version, for manual release of electrically controllable door hold-open devices		120880
GEZE interrupter button Concealed version, for manual release of electrically controllable door hold-open devices		116266
Surface-mounted box, single suitable for the AS 500 switch range		120503
Replacement glass cover for GEZE interrupter button 120880 and 120881		010994

GEZE ACCESSORIES FOR DOOR CLOSERS

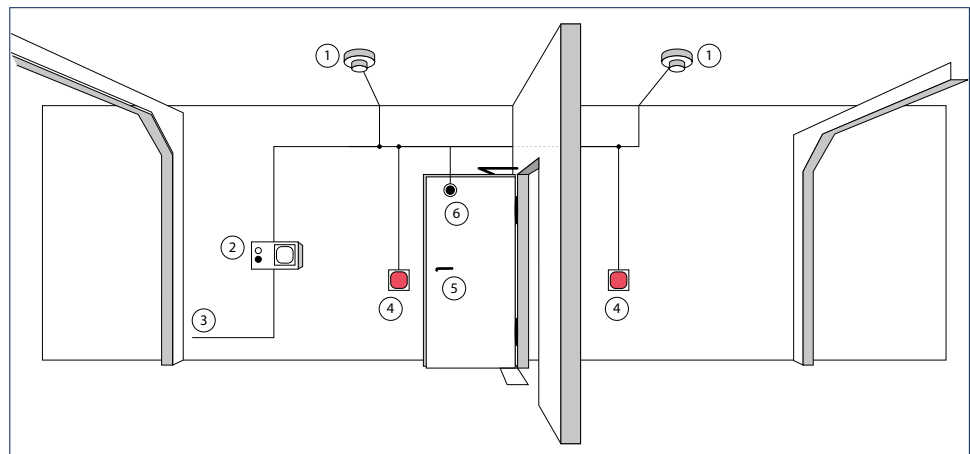
GEZE interrupter button

Concealed version, for manual release of electrically controllable door hold-open devices

GEZE interrupter button



GEZE interrupter button



- 1 = Smoke detector
- 2 = Power supply 24 V DC
- 3 = Supply line 230 V
- 4 = Interrupter button
- 5 = Fire-proof door
- 6 = Magnetic clamp

Order information

Description	Version	ID.No.
GEZE interrupter button Concealed version, for manual release of electrically controllable door hold-open devices		116266
GEZE interrupter button with glass cover and 5 exchangeable lettering Concealed version, for manual release of electrically controllable door hold-open devices		120880
Surface-mounted box, single suitable for the AS 500 switch range		120503
Surface-mounted box, double suitable for the AS 500 switch range		128609
Surface-mounted box, triple suitable for the AS 500 switch range		133206
Replacement glass cover for GEZE interrupter button 120880 and 120881		010994

GEZE ACCESSORIES FOR DOOR CLOSERS

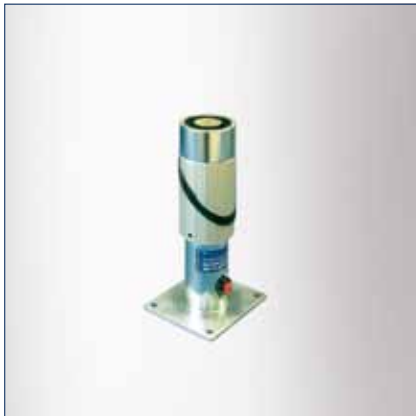
GEZE magnetic door clamp, 24 V DC - 490 N retention force, 62,5 mA, approved for use with all GEZE smoke switch control units

Wall/ceiling mounting, stand pipe 185 mm, easy to shorten, magnetic head adjustable through 90°

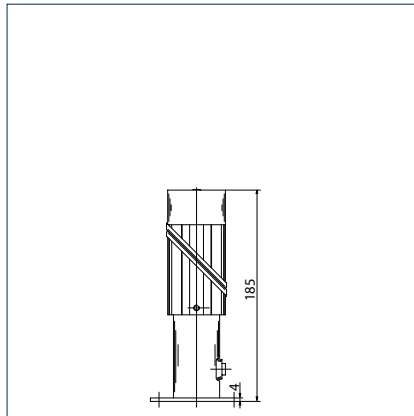
Electromagnetic door clamps are used for holding open fire doors. They must be connected to a smoke detection system which, in the case of fire, interrupts the clamping power supply. Thus the door is released and is closed by the door closer.

The door clamps are actuated via the smoke switch control units GEZE RSZ 5 or via GEZE smoke protection switch. It is also possible to release the door from its hold-open position using interrupter button which also shut off the clamping power supply.

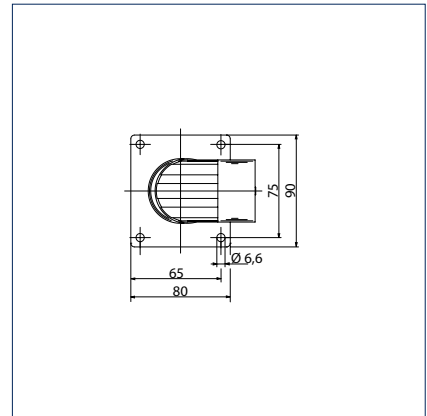
GEZE magnetic door clamps are listed as hold-open mechanism named GT50 R in the certification RSZ 5, RSZ 6 and smoke detector.



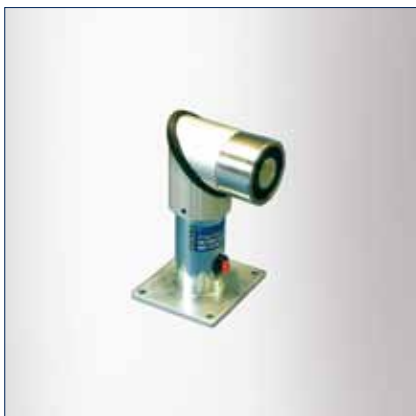
All-metal retention magnet L = 185 mm



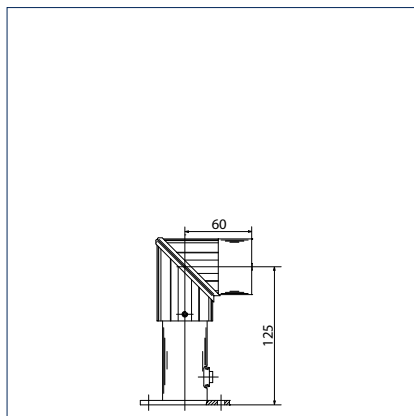
All-metal retention magnet L = 185 mm



All-metal retention magnet



All-metal retention magnet L = 185 mm



All-metal retention magnet L = 185 mm

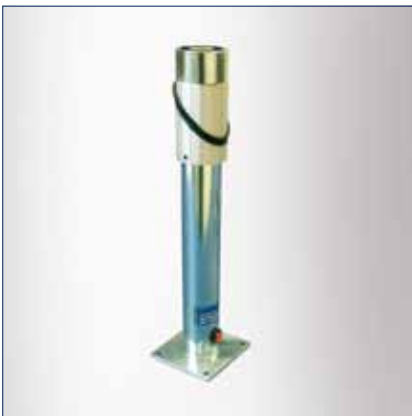
Order information

Description	ID.No.
GEZE magnetic door clamp, 24 V DC - 490 N retention force, 62,5 mA, approved for use with all GEZE smoke switch control units Wall/ceiling mounting, stand pipe 185 mm, easy to shorten, magnetic head adjustable through 90°	115952

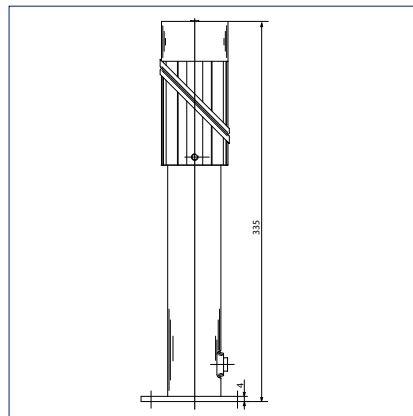
GEZE ACCESSORIES FOR DOOR CLOSERS

GEZE magnetic door clamp, 24 V DC - 490 N retention force, 62,5 mA, approved for use with all GEZE smoke switch control units

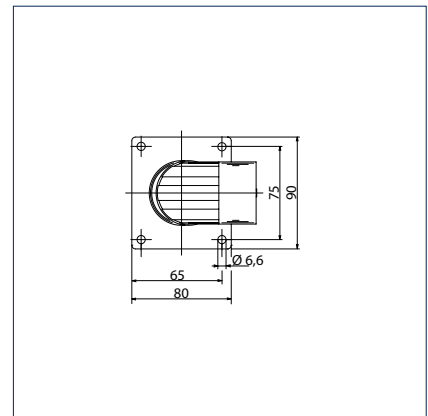
Wall/ceiling mounting, stand pipe 335 mm, easy to shorten, magnetic head adjustable through 90°



All-metal retention magnet L = 335 mm



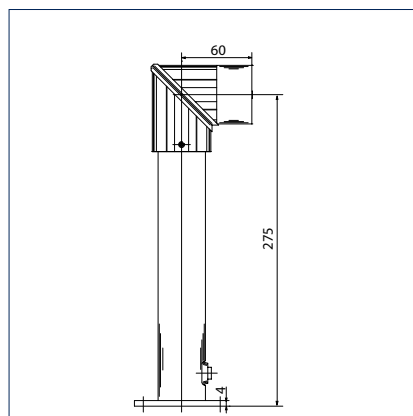
All-metal retention magnet L = 335 mm



All-metal retention magnet



All-metal retention magnet L = 335 mm



All-metal retention magnet L = 335 mm

Order information

Description	ID.No.
GEZE magnetic door clamp, 24 V DC - 490 N retention force, 62,5 mA, approved for use with all GEZE smoke switch control units Wall/ceiling mounting, stand pipe 335 mm, easy to shorten, magnetic head adjustable through 90°	115953

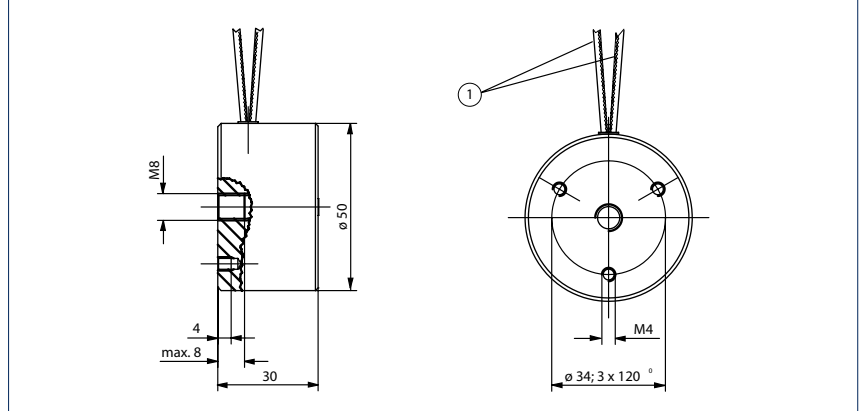
GEZE ACCESSORIES FOR DOOR CLOSERS

GEZE magnetic door clamp, 24 V DC - 490 N retention force, approved for use with all GEZE smoke switch control units

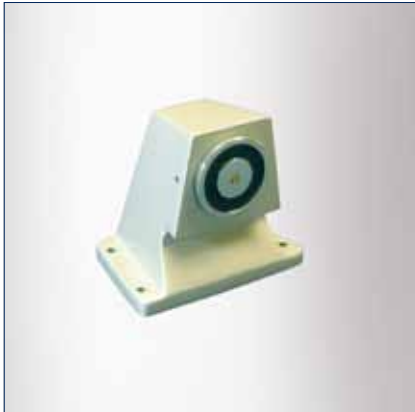
Basic model, floor-mounted and wall-mounted



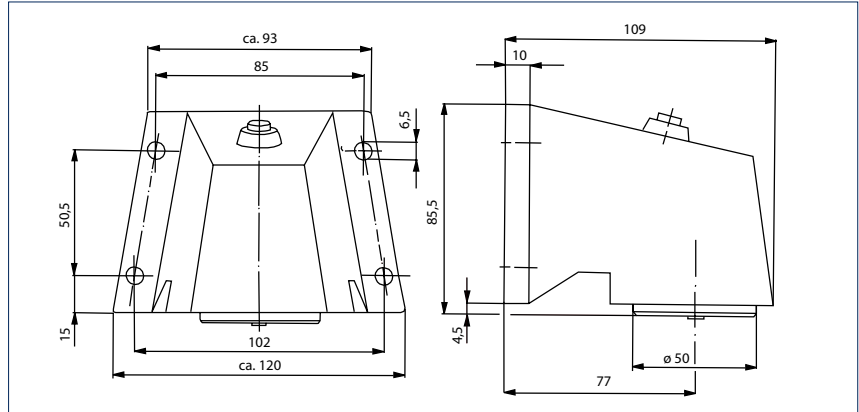
Magnetic door clamp, basic model



Basic retention magnet model (magnetic coil galvanised without base plate) for wall-mounting or installation in any structure 1 = 200 long



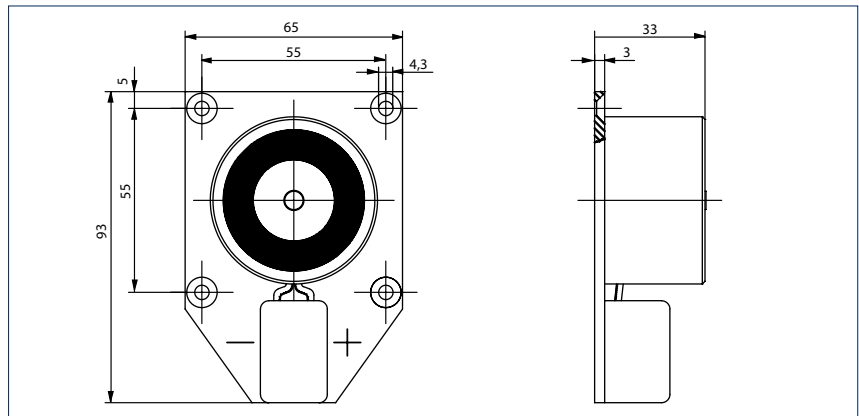
Magnetic door clamp, floor-mounted



Retention magnet for floor-mounting in aluminium housing, with circuit breaker



Magnetic door clamp, wall-mounted



Retention magnet for wall mounting with base plate

Order information

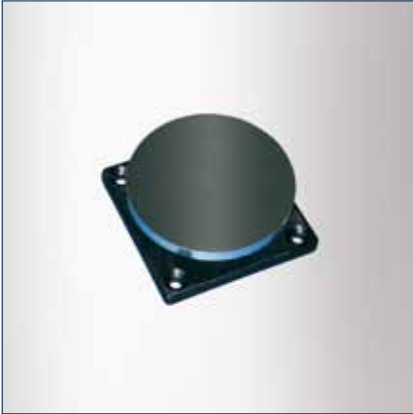
Description	ID.No.
GEZE magnetic door clamp, 24 V DC - 490 N retention force, 62,5 mA, approved for use with all GEZE smoke switch control units, Basic model, without attachment plate, screw fixture on the back	115830
GEZE magnetic door clamp, 24 V DC - 490 N retention force, 62,5 mA, approved for use with all GEZE smoke switch control units, Floor-mounted, with sturdy aluminium housing	115951
GEZE magnetic door clamp, 24 V DC - 490 N retention force, 62,5 mA, approved for use with all GEZE smoke switch control units, Wall fixing, with base plate	115829

GEZE ACCESSORIES FOR DOOR CLOSERS

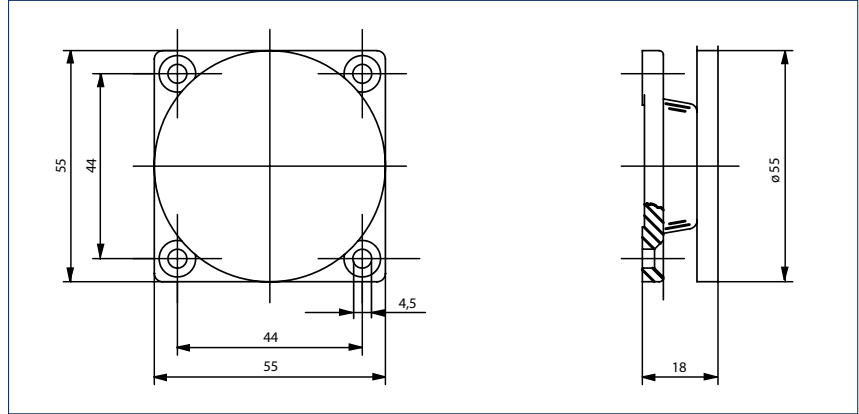
GEZE magnetic counter plate for GEZE retention magnets

Standard version, version with spring buffer and adjustable joint

The counterplates are the compensation parts to the magnetic door clamps. They are mounted to the door leaf and connect to the door and magnetic clamp electromagnetically.



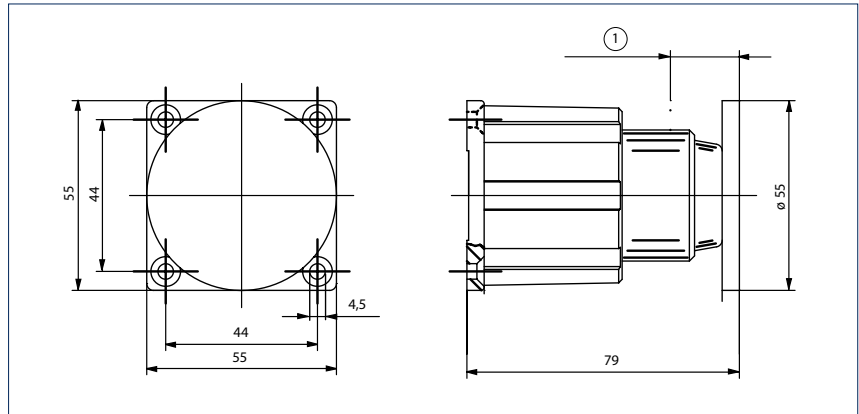
Standard magnetic counter plate



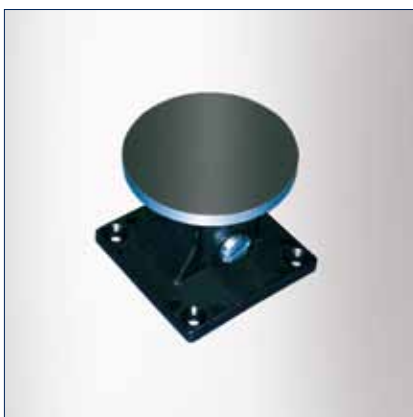
Standard magnetic counter plate on mounting plate with spring system for flatness with retention magnet



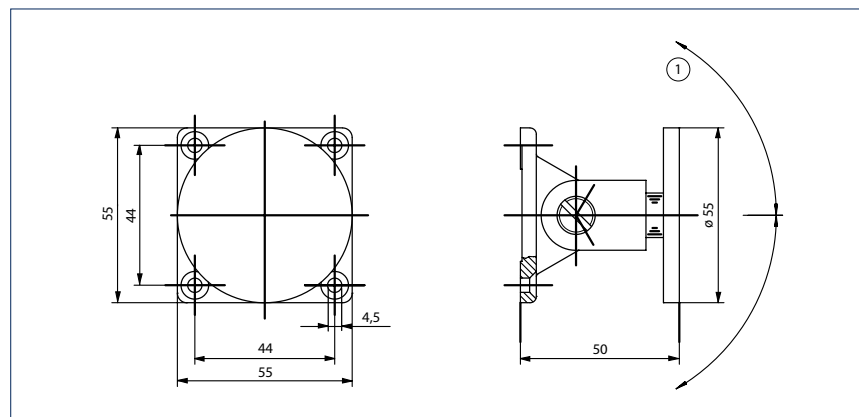
Magnetic counter plate with spring buffer



Magnetic counter plate with spring buffer on mounting plate with damping spring for soft-spring buffer for heavy doors
1 = 200 mm spring travel



Magnetic counter plate with joint



Magnetic counter plate with joint on mounting plate with additional adjustment for external angle positions between door and retention magnet
1 = Swivelling range approx. 60°

Order information

Description	ID.No.
GEZE magnetic counter plate for GEZE retention magnets Standard version, rubber support	115954
GEZE magnetic counter plate for GEZE retention magnets Version with spring buffer	115955
GEZE magnetic counter plate for GEZE retention magnets Version with adjustable joint	115956

GEZE References



TS 5000 ISM, Rheinlandhaus, Cologne, Germany



TS 5000 R and TS 3000 V, Häussler Global Office GmbH, Stuttgart, Germany

GEZE References



TSA 160 NT F-IS and TS 5000 R-ISM, Augustinum, Stuttgart, Germany



TS 5000 R, Augustinum, Stuttgart, Germany

You will find more product information in the relevant brochures, see ID numbers.

Door technology

01	Overhead door closers ID 091593, ID 091594
02	Hold-open systems ID 091593, ID 091594
03	Integrated door closers ID 091609
04	Floor springs ID 091607
05	Sliding door gear systems and linear guides ID 123605, ID 008770, ID 000586

Automatic door systems

06	Swing doors ID 144785
07	Sliding, telescopic and folding doors ID 143639
08	Circular and semi-circular sliding doors ID 135772
09	Revolving doors ID 132050
10	Actuation devices and sensors ID 142655

Smoke and heat extraction and window technology

11	Fanlight opening systems ID 127787
12	Electric opening and locking systems ID 127785, ID 127789
13	Electrical spindle and linear drives ID 127785, ID 127789
14	Electric chain drives ID 127785, ID 127789
15	Smoke and heat extraction systems ID 127785, ID 139075

Safety technology

16	Emergency exit systems ID 132408
17	Access control systems ID 132158
18	Panic locks ID 132848
19	Electric strikes ID 148666
20	Building management system ID 132408

Glass systems

21	Manual sliding wall systems (MSW) ID 104377
22	Integrated all-glass systems (IGG) ID 104366
23	GEZE Patch fittings mono glass systems ID 122521





Door technology

The functionality, superior performance and reliability of GEZE door closers are impressive. A common design across the range, the ability to use them on all common door leaf widths and weights, and the fact that they can be individually adjusted makes their selection simple. They are continually being improved and enhanced with up-to-date features. For example, the requirements of fire protection and accessibility are fulfilled with a door closer system.

Automatic door systems

GEZE automatic door systems open up a huge variety of options in door design. The latest, innovative high-performance drive technology, safety, ease of accessibility and first class universal drive design set them apart. GEZE offers complete solutions for individual requirements. A dedicated division is responsible for the development and construction of individual special designs.

Smoke and heat extraction and window technology

GEZE smoke and heat extraction systems and ventilation technology provide complete systems solutions combining the many requirements of different types of windows. We supply a full range from energy efficient drive systems to natural ventilation and complete solutions for supplying and extracting air, also as certified SHEVs.

Safety technology

GEZE safety technology sets the standards where preventative fire protection, access control and anti-theft security in emergency exits are concerned. For each of these objectives GEZE offers tailored solutions, which combine the individual safety requirements in one intelligent system and close doors and windows in case of danger in a coordinated manner.

Building systems

In GEZE's Building Management System GEZE door, window and safety products can be integrated in to the security and control systems of the building. A central control and visualisation system monitors various automation components in the building and offers security through many different networking capabilities.

Glass systems

GEZE glass systems stand for open and transparent interior design. They can either blend discreetly into the architecture of the building or stand out as an accentuated feature. GEZE offers a wide variety of technologies for functional, reliable and aesthetic sliding wall or sliding door systems providing security with lots of design scope.

GEZE GmbH
P.O. Box 1363
71226 Leonberg
Germany

GEZE GmbH
Reinhold-Vöster-Straße 21-29
71229 Leonberg
Germany
Telefon +49 (0) 7152-203-0
Telefax +49 (0) 7152-203-310

www.geze.com

Germany
 GEZE Sonderkonstruktionen GmbH
 Planken 1
 97944 Boxberg-Schweigern
 Tel. +49 (0) 7930-92 94-0
 Fax +49 (0) 7930-92 94-10
 E-Mail: sk.de@geze.com

GEZE GmbH
 Niederlassung Nord/Ost
 Bühringstraße 8
 13086 Berlin (Weissensee)
 Tel. +49 (0) 30-47 89 90-0
 Fax +49 (0) 30-47 89 90-17
 E-Mail: berlin.de@geze.com

GEZE GmbH
 Niederlassung West
 Nordsternstraße 65
 45329 Essen
 Tel. +49 (0) 201-83 082-0
 Fax +49 (0) 201-83 082-20
 E-Mail: essen.de@geze.com

GEZE GmbH
 Niederlassung Mitte
 Adenauerallee 2
 61440 Oberursel (b. Frankfurt)
 Tel. +49 (0) 6171-63 610-0
 Fax +49 (0) 6171-63 610-1
 E-Mail: frankfurt.de@geze.com

GEZE GmbH
 Niederlassung Süd
 Breitwiesenstraße 8
 71229 Leonberg
 Tel. +49 (0) 7152-203-594
 Fax +49 (0) 7152-203-438
 E-Mail: leonberg.de@geze.com

GEZE Service GmbH NL Südwest
 Reinhold-Vöster-Straße 25
 71229 Leonberg
 Tel. +49 (0) 7152-92 33 34

GEZE Service GmbH NL Nord-Ost
 Bühringstraße 8
 13086 Berlin (Weissensee)
 Tel. +49 (0) 30-47 02 17 32

GEZE Service GmbH NL West
 Nordsternstraße 65
 45329 Essen
 Tel. +49 (0) 201-8 30 82 16

GEZE Service GmbH NL Mitte
 Feldbergstraße 59
 61440 Oberursel
 Tel. +49 (0) 6171-63 327-0

GEZE Service GmbH NL Süd
 Parking 17
 85748 Garching bei München 1
 Tel. +49 (0) 89-120 07 42-0

Austria
 GEZE Austria
 Wiener Bundesstrasse 85
 A-5300 Hallwang
 Tel: +43/6225/87180
 Fax: +43/6225/87180-299
 E-Mail: austria.at@geze.com

Baltic States
 GEZE GmbH Baltic States office
 Dzelzavas iela 120 S
 1021 Riga
 Tel. +371 (0) 67 89 60 35
 Fax +371 (0) 67 89 60 36
 E-Mail: office-latvia@geze.com

GEZE Benelux B.V.
 Steenoven 36
 5626 DK Eindhoven
 Tel. +31 (0) 40-26 290-80
 Fax +31 (0) 40-26 290-85
 E-Mail: benelux.nl@geze.com

Bulgaria
 GEZE Bulgaria - Trade
 Representative Office
 61 Pirinski Prohod, entrance „B“,
 4th floor, office 5,
 1680 Sofia
 Tel. +359 (0) 24 70 43 73
 Fax +359 (0) 24 70 62 62
 E-Mail: office-bulgaria@geze.com

China
 GEZE Industries (Tianjin) Co., Ltd.
 Shuangchenzhong Road
 Beichen Economic Development
 Area (BEDA)
 Tianjin 300400, P.R. China
 Tel. +86 (0) 22-26 97 39 95-0
 Fax +86 (0) 22-26 97 27 02
 E-Mail: Sales-info@geze.com.cn

GEZE Industries (Tianjin) Co., Ltd.
 Branch Office Shanghai
 Unit 25N, Cross Region Plaza
 No 899, Ling Ling Road,
 XuHui District
 200030 Shanghai, P.R. China
 Tel. +86 (0) 21-523 40 960
 Fax +86 (0) 21-644 72 007
 E-Mail: chinasales@geze.com.cn

GEZE Industries (Tianjin) Co., Ltd.
 Branch Office Guangzhou
 Room 17C3
 Everbright Bank Building, No.689
 Tian He Bei Road
 510630 Guangzhou
 P.R. China
 Tel. +86 (0) 20-38 73 18 42
 Fax +86 (0) 20-38 73 18 34
 E-Mail: chinasales@geze.com.cn

GEZE Industries (Tianjin) Co., Ltd
 Branch Office Beijing
 Room 1001, Tower D
 Sanlitun SOHO
 No. 8, Gongti North Road,
 Chaoyang District
 100027 Beijing, P.R.China
 Tel. +86 (0) 10-59 35 93 00
 Fax +86 (0) 10-59 35 93 22
 E-Mail: chinasales@geze.com.cn

France
 GEZE France S.A.R.L.
 ZAC de l'Orme Rond
 RN 19
 77170 Servon
 Tel. +33 (0) 1 60 62 60 70
 Fax +33 (0) 1 60 62 60 71
 E-Mail: france.fr@geze.com

Hungary
 GEZE Hungary Kft.
 Bartók Béla út 105-113.
 Budapest
 H-1115
 Tel. +36 (1) 481 4670
 Fax +36 (1) 481 4671
 E-Mail: office-hungary@geze.com

Iberia
 GEZE Iberia S.R.L.
 Pol. Ind. El Pla
 C/Comerc, 2-22, Nave 12
 08980 Sant Feliu de Llobregat
 (Barcelona)
 Tel. +34 9-02 19 40 36
 Fax +34 9-02 19 40 35
 E-Mail: info@geze.es

India
 GEZE India Private Ltd.
 MF 2 & 3, Guindy Industrial Estate
 Ekkattuthangal
 Chennai 600 097
 Tamilnadu
 Tel. +91 (0) 44 30 61 69 00
 Fax +91 (0) 44 30 61 69 01
 E-Mail: office-india@geze.com

Italy
 GEZE Italia Srl
 Via Giotto, 4
 20040 Cambiago (MI)
 Tel. +39 (0) 29 50 695-11
 Fax +39 (0) 29 50 695-33
 E-Mail: italia.it@geze.com

GEZE Engineering Roma Srl
 Via Lucrezia Romana, 91
 00178 Roma
 Tel. +39 (0) 6-72 65 311
 Fax +39 (0) 6-72 65 3136
 E-Mail: roma@geze.biz

Poland
 GEZE Polska Sp.z o.o.
 ul. Annapol 21
 03-236 Warszawa
 Tel. +48 (0) 22 440 4 440
 Fax +48 (0) 22 440 4 400
 E-Mail: geze.pl@geze.com

Romania
 GEZE Romania s.r.l.
 IRIDE Business Park,
 Str. Dimitrie Pompeiu nr. 9-9a,
 Building 10, Level 2, Sector 2,
 020335 Bucharest
 Tel.: +40 (0) 21 25 07 750
 Fax: +40 (0) 21 25 07 750
 E-Mail: office-romania@geze.com

Russian Federation
 GEZE GmbH Representative
 Office Russia
 Gamsonovskiy Per. 2
 115191 Moskau
 Tel. +7 (0) 495 933 06 59
 Fax +7 (0) 495 933 06 74
 E-Mail: office-russia@geze.com

Scandinavia – Sweden
 GEZE Scandinavia AB
 Mallslingan 10
 Box 7060
 18711 Täby, Sweden
 Tel. +46 (0) 8-7323-400
 Fax +46 (0) 8-7323-499
 E-Mail: sverige.se@geze.com

Scandinavia – Norway
 GEZE Scandinavia AB avd. Norge
 Industriveien 34 B
 2073 Dal
 Tel. +47 (0) 639-57 200
 Fax +47 (0) 639-57 173
 E-Mail: norge.se@geze.com

Scandinavia – Finland
 Branch office of GEZE Scandinavia AB
 Herralantie 824
 Postbox 20
 15871 Hollola
 Tel. +358 (0) 10-40 05 100
 Fax +358 (0) 10-40 05 120
 E-Mail: finland.se@geze.com

Scandinavia – Denmark
 GEZE Danmark
 Branch office of GEZE Scandinavia AB
 Märkærvej 13 J-K
 2630 Taastrup
 Tel. +45 (0) 46-32 33 24
 Fax +45 (0) 46-32 33 26
 E-Mail: danmark.se@geze.com

Singapore
 GEZE (Asia Pacific) Pte. Ltd.
 21 Bukit Batok Crescent
 #23-75 Wcega Tower
 Singapore 658065
 Tel: +65 6846 1338
 Fax: +65 6846 9353
 E-Mail: gezesea@geze.com.sg

South Africa
 GEZE Distributors (Pty) Ltd.
 118 Richards Drive, Halfway House,
 Ext 111, P.O. Box 7934, Midrand 1685,
 South Africa
 Tel: + 27 (0) 113 158 286
 Fax: + 27 (0) 113158261
 Email: info@gezesa.co.za

Switzerland
 GEZE Schweiz AG
 Bodenackerstrasse 79
 4657 Dulliken
 Tel. +41 (0) 62 285 54 00
 Fax +41 (0) 62 285 54 01
 E-Mail: schweiz.ch@geze.com

Turkey
 GEZE GmbH Türkiye - İstanbul
 İrtibat Bürosu
 Ataşehir Bulvarı, Ata 2/3
 Plaza Kat: 9 D: 84 Ataşehir
 Kadıköy / İstanbul
 Tel. + 90 (0) 21 64 55 43 15
 Fax + 90 (0) 21 64 55 82 15
 E-Mail: office-turkey@geze.com

Ukraine
 GEZE Ukraine TOV
 ul. Viskoznaya, 17,
 Building 93-B, Office 12
 02660 Kiev
 Tel./Fax +38 (0) 44 501 22 25
 E-Mail: office-ukraine@geze.com

United Arab Emirates/GCC
 GEZE Middle East
 P.O. Box 17903
 Jebel Ali Free Zone
 Dubai
 Tel. +971 (0) 4-88 33 112
 Fax +971 (0) 4-88 33 240
 E-Mail: geze@emirates.net.ae

United Kingdom
 GEZE UK Ltd.
 Blenheim Way
 Fradley Park
 Lichfield
 Staffordshire WS13 8SY
 Tel. +44 (0) 1543 44 30 00
 Fax +44 (0) 1543 44 30 01
 E-Mail: info.uk@geze.com

GEZE REPRESENTATIVE