



GEZE APOLL ROLLER-GUIDED GEARS  
FOR SLIDING DOORS, END-FOLDING  
AND CENTRE-FOLDING DOORS



# GEZE APOLL ROLLER-GUIDED GEARS FOR SLIDING DOORS

## CONTENTS

GEZE Apoll – The roller sliding door fitting system for particularly heavy industrial doors	<b>4</b>
Apoll for sliding doors	<b>5</b>
Apoll for end-folding doors	<b>20</b>
Apoll für centre-folding doors	<b>27</b>
Apoll accessories for end-folding and centre-folding sliding doors	<b>33</b>
Product information for sliding door gears	<b>39</b>



Wandelhalle Bad Pyrmont

## GEZE APOLL

The roller sliding door fitting system for particularly heavy industrial doors

Apoll, the largest roller sliding door fitting system from GEZE, can be used to implement all heavy sliding door systems, such as, car park sliding gates. Apoll has already proved itself to be successful in conveyor and moving systems and as mounting aids in trade and industry. The sendzimir galvanisation of the steel running rail and the other parts ensure high protection from corrosion.

### Product features

- For door leaves elements with up to 600 kg
- Suitable for all sliding doors and door materials
- Wall and floor installation
- Durable solutions with single and double roller carriages
- No contamination due to the closed runner
- Prismatic running rail ensure optimal operation
- Hardened steel rollers, ball bearing mounted
- Ball bearing mounted plastic rollers for particularly quiet operation
- Movable hanger available in three strengths
- Individual radii for running rails available on request.
- Designs: Single or double roller carriage with steel or plastic rollers

### Standard version/Scope of delivery:

- Steel, sendzimir galvanised running rails
- All other parts galvanised



# GEZE APOLL ROLLER-GUIDED GEARS FOR SLIDING DOORS

## GEZE Apoll for sliding doors – Size 0,1,2

### Product features

- Enclosed tubular track
- Prismatic troughs
- Tempered rollers with ball bearings
- Movable hangers
- 3 sizes

### Range of applications

- For all sliding doors
- For all door materials
- For side an soffit-fixing
- For conveying and shifting systems
- As mounting aids for trade and industrial applications
- For heavy loads, see table

Load-bearing capacity of track  
with 700 mm bracket spacing:

Size 0	150 kg/m
Size 1	350 kg/m
Size 2	600 kg/m

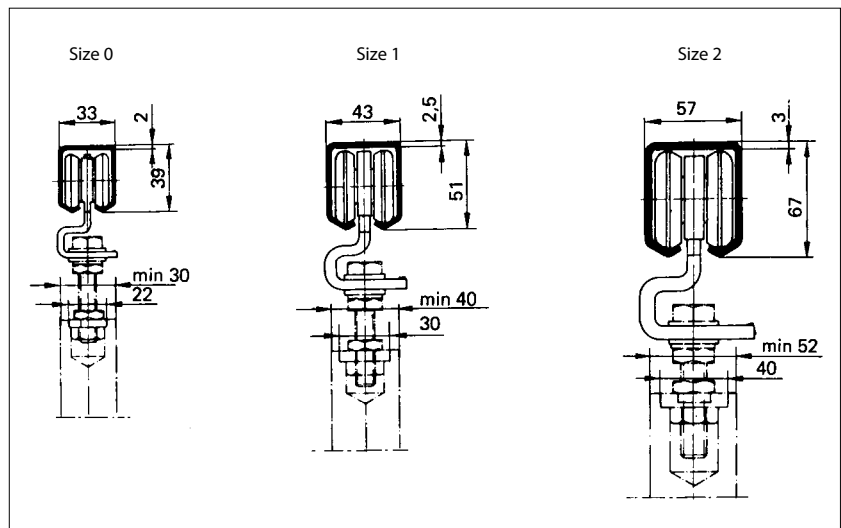


Fig. 05-1

GEZE Apoll	Number of rollers	Material of rollers	Permissible door weight of sliding doors	Roller load of conveyors <sup>*)</sup>
Size 0	single	steel	75 kg	50 kg
	single	plastic	50 kg	25 kg
	double	steel	150 kg	100 kg
	double	plastic	100 kg	50 kg
Size 1	single	steel	175 kg	100 kg
	single	plastic	100 kg	50 kg
	double	steel	350 kg	200 kg
	double	plastic	200 kg	100 kg
Size 2	single	steel	300 kg	200 kg
	single	○	○	○
	double	steel	600 kg	300 kg
	double	○	○	○

● = yes, ○ = no

<sup>\*)</sup>central suspended load

## GEZE Apoll for sliding doors

### Application methods

When installing a sliding door, it is essential that stability and static and dynamic equilibrium are assured. The height-to-width ratio, and the resulting different hanging points and fittings, such as door plates or edge-fixing hangers, is therefore decisive.

At a width-to-height ratio greater than 1, it is recommended to move the hanging point  $0.2 \times W$  towards the middle of the door (picture 1).

At a width-to-height ratio less than 1, it is best to select edge-fixing hangers, -41, especially for very narrow doors (picture 2).

With 2-leaf or multi-leaf door units, edge-fixing hangers, -42, which prevent the rollers from colliding, should be used (picture 3).

The door stop -3 (picture 5) is not intended for door stopping, but only as a mounting aid and safety device when installing the sliding door. When the door is in service a wall-fixed door stop, -66, must be positioned at the centre of gravity of the door to stop it. Two wall-fixed stops, -66, are also possible (picture 4).

Door stops centered or at 2 points.

The flat-plate guide roller, -50, can be used for all door guides, irrespective of which overhead hanger is selected. However, an edge-fixing guide roller, -51, -52, will be stronger (picture 6).

With straight-in opening sliding doors the position of the floor guides is independent of the fixing point of the overhead hangers.

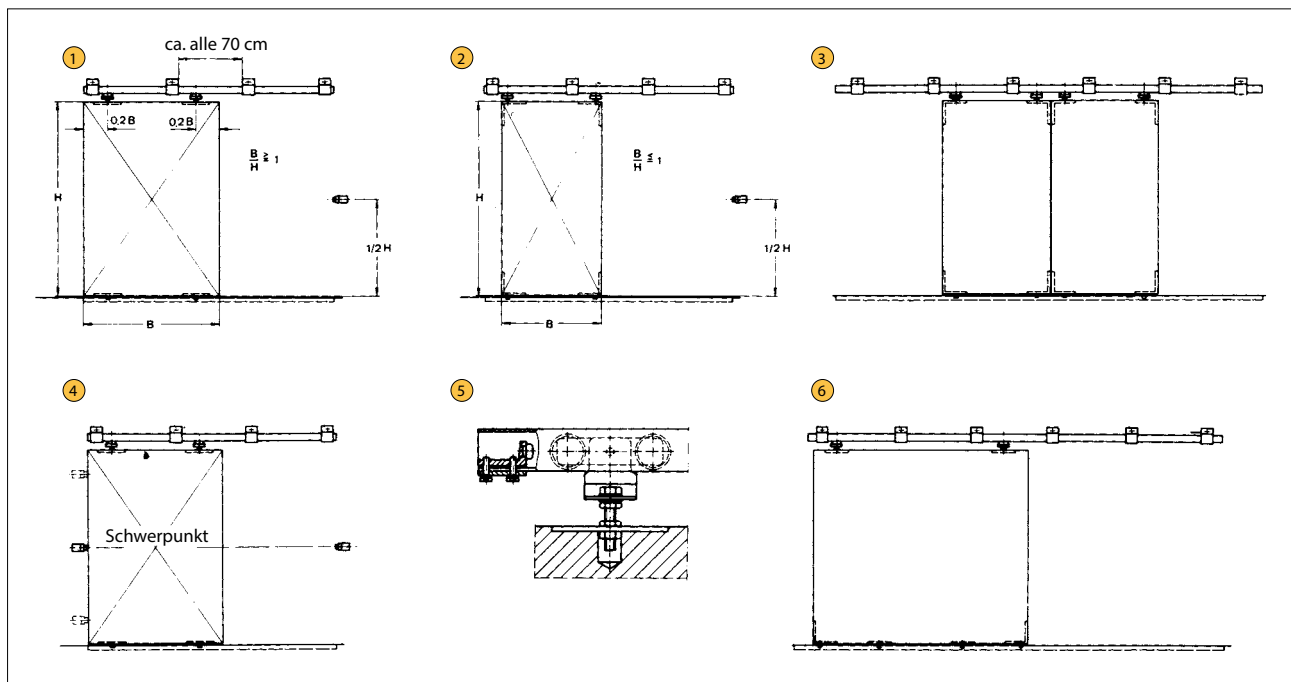


Fig. 06-2

**Note:** The fittings are identified by numbers. The numbering is based on the following system: The number before the dash indicates the fitting size, the number after the dash the part number. That is to say, the number after the dash is the specific part identifier. The number before the dash changes according to the fitting size.

#### Examples:

1-10 = GEZE Apoll size 1, Side-fixing bracket No. 10

2-10 = GEZE Apoll size 2, Side-fixing bracket No. 20

0-55 = GEZE Apoll size 0, Curved floor channel No. 55

# GEZE APOLL ROLLER-GUIDED GEARS FOR SLIDING DOORS

## GEZE Apoll for sliding doors – Mounting options

### Side and soffit-fixing with bracket, door with door plate

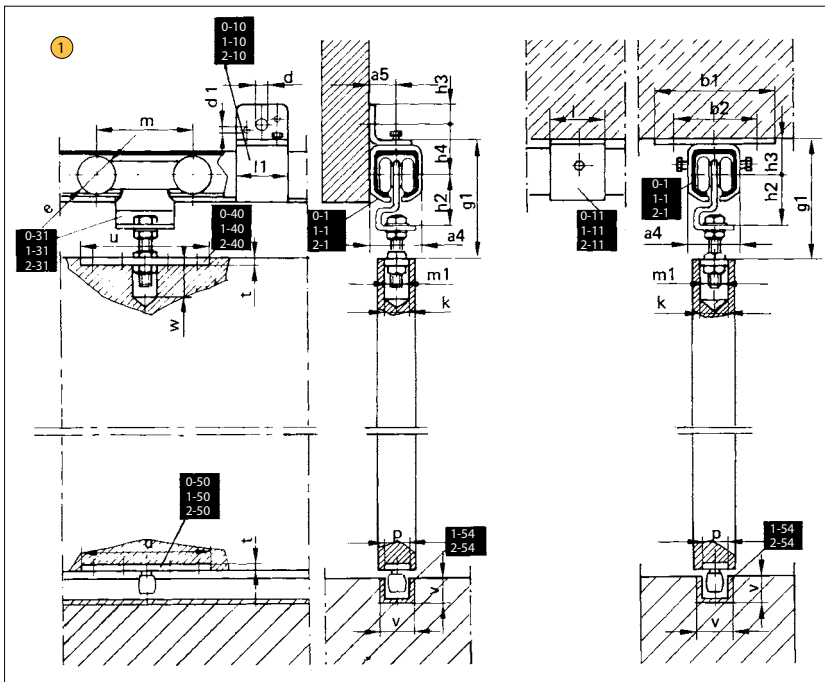


Fig. 07-1

①	Size 0	Size 1	Size 2
a4	41	52,5	70
a5	20,5	26,5	35
b1	100	135	170
b2	70	91	114
d	9	13	15
d1	6,4	9	11
e	32	42	56
g1	89-112	116-139	149-177
h2	41,5	53	71
h3	● 15	18	24,5
h3	● 29	38	48,5
h4	43	55,5	72,5
k	∅ 22	∅ 24	∅ 30
l	45	65	85
l1	45	65	95
m	80	114	140
m1	M 10	M 12	M 16
p	22	30	40
t	5	6	8
u	110	180	220
v	20	20	30
w	35	45	53

- = side-fixing
- = soffit-fixing

### Side and soffit-fixing with console, door with edge-fixing

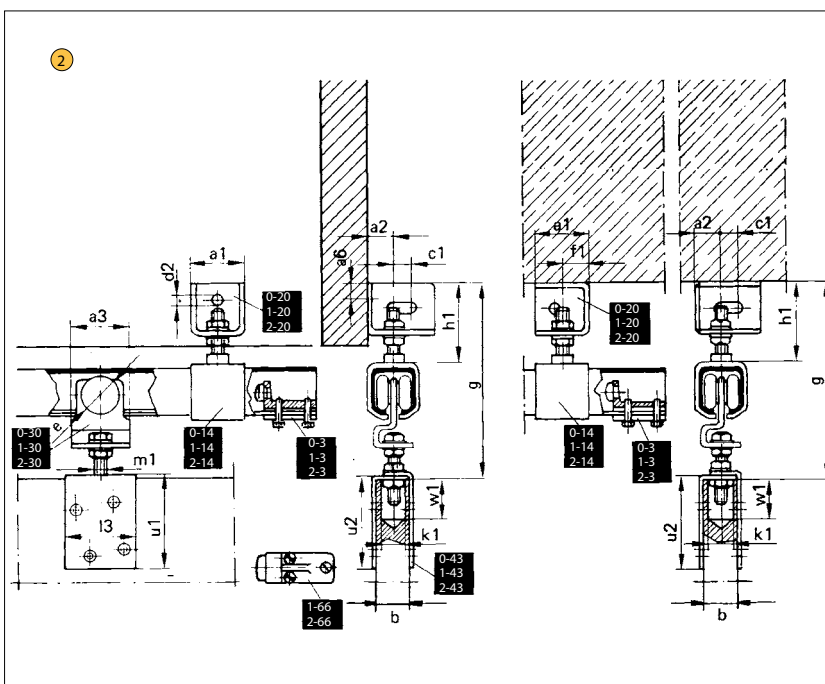


Fig. 07-2

②	Size 0	Size 1
a1	● 45	52,5
a1	● 45	26,5
a2	20,5	135
a3	50	91
a6	15	13
b	22-37	30-46
c1	max. 14	42
d2	11	116-139
e	32	53
f1	22,5	18
g	● 152-190	38
g	● 152-190	55,5
h1	● 62-78	∅ 24
h1	● 62-78	65
k1	∅ 22	65
l3	60	114
m1	M 10	M 12
u1	80	30
		6
u2	80	180
		20
w1	35	45

## GEZE Apoll for sliding doors – Mounting options

### Side and soffit-fixing for double console

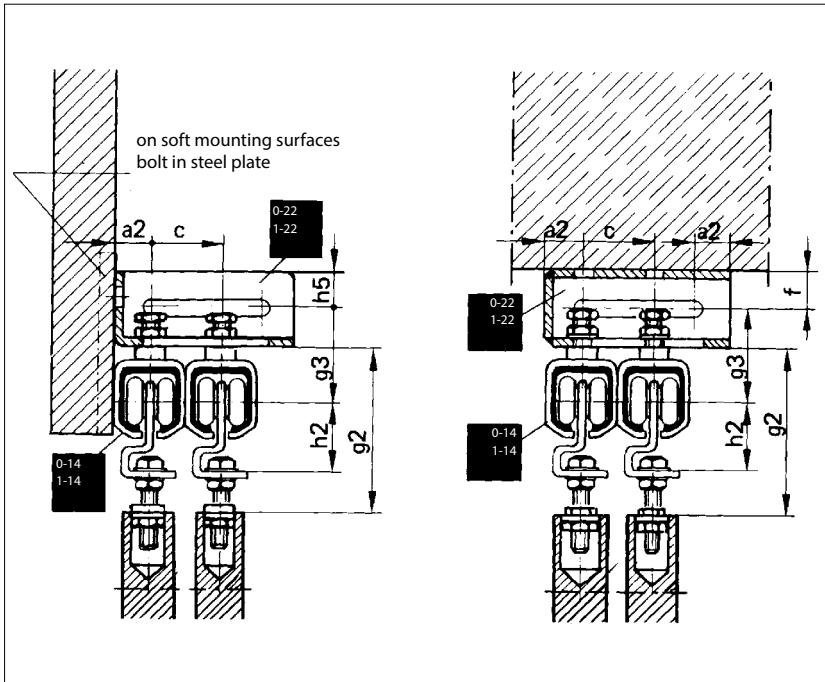


Fig. 08-1

	Size 0	Size 1
a2	20,5	26,5
c	max. 69	max. 85
f	22,5	32
g2	92-115	120-143,5
g3 ●	55	67,5
g3 ●	54,5	74,5
h2	41,5	53
h5	22,5	24

- = side-fixing
- = soffit-fixing

### Join bracket

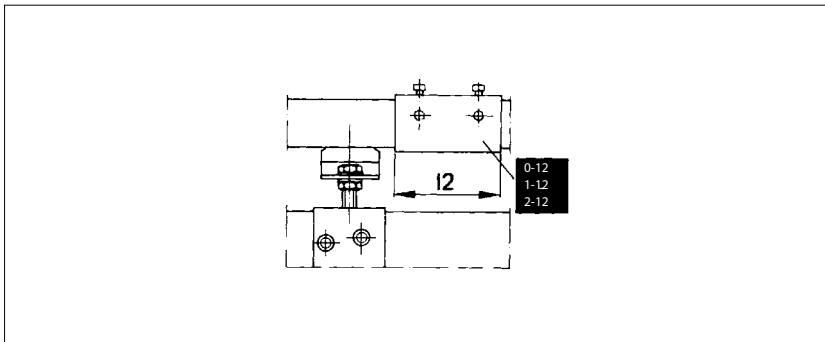


Fig. 08-2

	Size 0	Size 1	Size 2
l2	90	130	180

### Welding bracket

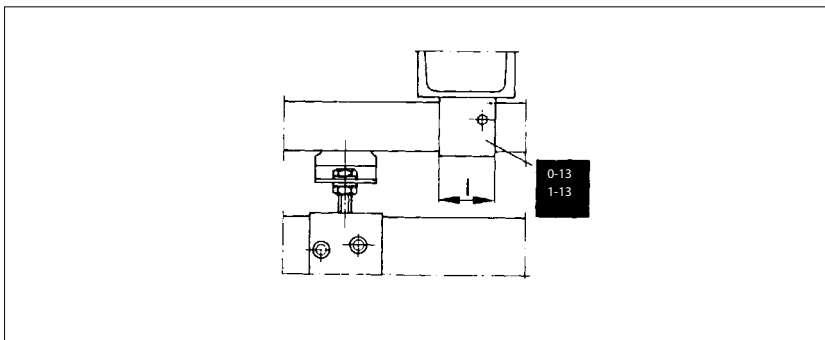


Fig. 08-3

	Size 0	Size 1
l	45	65



# GEZE APOLL ROLLER-GUIDED GEARS FOR SLIDING DOORS

## GEZE Apoll for sliding doors – Mounting options

### Side and soffit fixing with bracket, door with edge-fixing hanger

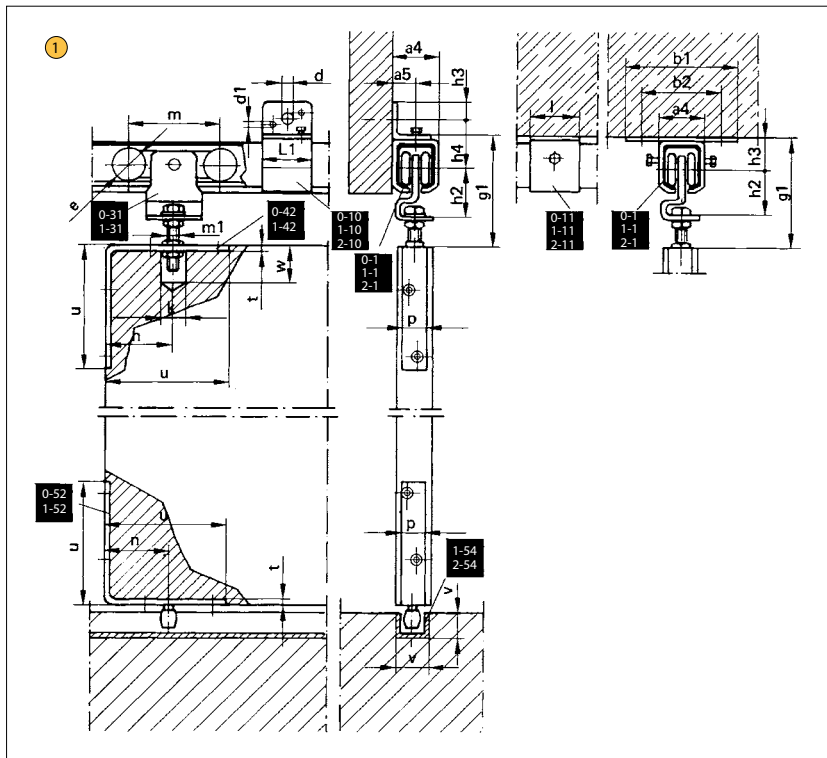


Fig. 09-1

①	Size 0	Size 1	Size 2
a4	41	52,5	70
a5	20,5	26,5	35
b1	100	135	170
b2	70	91	114
d	9	13	15
d1	6,4	9	11
e	32	42	56
g1	89-112	116-139	149-177
h2	41,5	53	71
h3	● 15	18	24,5
h3	● 29	38	48,5
h4	43	55,5	72,5
k	∅ 22	∅ 24	∅ 30
l	45	65	85
l1	45	65	95
m	80	114	140
m1	M 10	M 12	M 16
n	60	90	○
p	22	30	○
t	5	6	○
u	110	180	○
v	20	20	30
w	35	45	○

● = yes, ○ = no

● = side-fixing

● = soffit-fixing

### Side and soffit-fixing with console, door with edge-fixing hanger

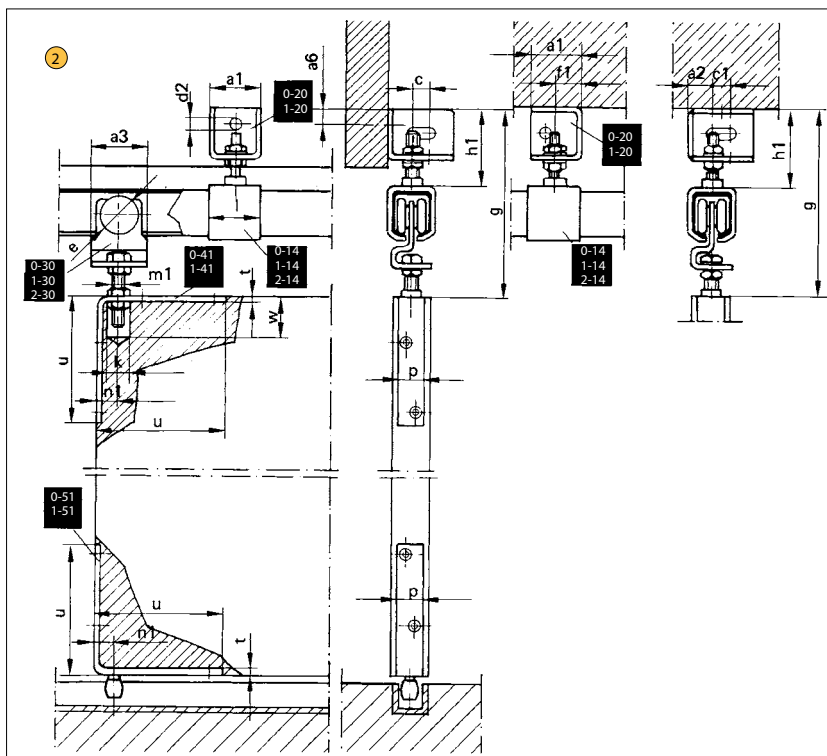


Fig. 09-2

②	Size 0	Size 1	Size 2
a1	● 45	64	90
a1	● 45	49	80
a2	20,5	26,5	35
a3	50	65	85
a6	15	24	40
c	14	20	30
c1	14	20	30
d2	11	13	17
e	32	42	56
f1	22,5	25	40
g	● 146-186	180-231	248-306
g	● 146-186	195-246	258-316
h1	● 62-78	69-97	105-135
h1	● 62-78	84-112	115-145
k1	∅ 22	∅ 24	∅ 30
l	45	65	85
m1	M 10	M 12	M 16
n1	18	20	30
p	22	30	40
t	5	6	8
u	110	180	220
w	35	45	53

# GEZE APOLL ROLLER-GUIDED GEARS FOR SLIDING DOORS

## GEZE Apoll for sliding doors – Tracks

### Track

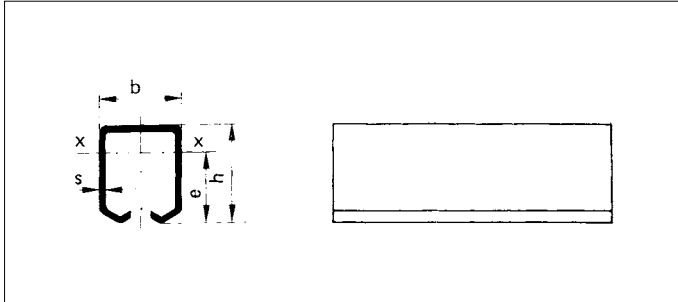


Fig. 10-1

	Size 0	Size 1	Size 2
Des.	0-1	1-1	2-1
b	33	43	57
h	39	51	67
s	2	2,5	3,5
W, cm <sup>3</sup>	2,30	4,63	10,62
e cm	2,16	2,85	3,73
kg/m	1,9	2,02	5,72

Load capacity per m with 700 mm bracket spacing:

	150 kg	350 kg	600 kg
<b>ID No. (6m)</b>	<b>025769</b>	<b>018015</b>	<b>018014</b>

### Track curve

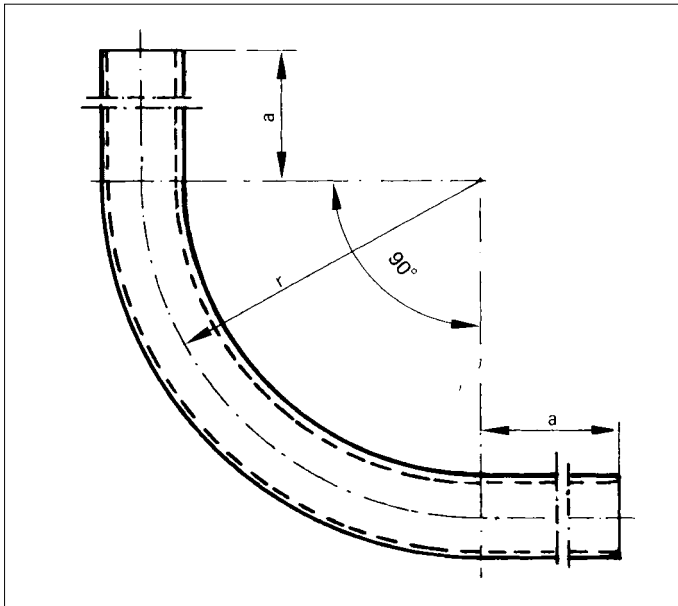


Fig. 10-2

	Size 0	Size 1	Size 2
Des.	0-2	1-2	2-2
a	200	200	300
r	700	800	1000
s	2	2,5	3,5
kg (weight)	2,85	4,53	12,4
straight length	1500	1660	2170
<b>ID No.</b>	<b>054769</b>	<b>054771</b>	<b>054773</b>

# GEZE APOLL ROLLER-GUIDED GEARS FOR SLIDING DOORS

## GEZE Apoll for sliding doors – Brackets

### Side-fixing bracket

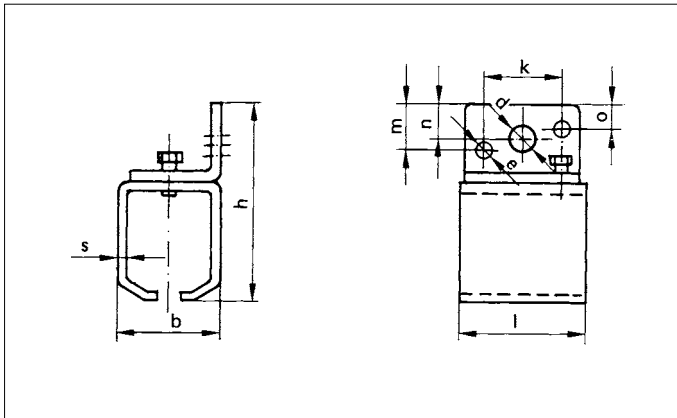


Fig. 11-1

	Size 0	Size 1	Size 2
Des.	0-10	1-10	2-10
b	41	52,5	70
h	80	100,5	135
l	45	65	95
s	2	2,5	3,5
n	15	18	24,5
m	20	23	29,5
o	10	13	19,5
k	25	40	60
d	9	13	15
e	6,4	9	11
kg (weight)	0,3	0,6	1,4
ID No.	020701	012686	011554

### Soffit-fixing bracket

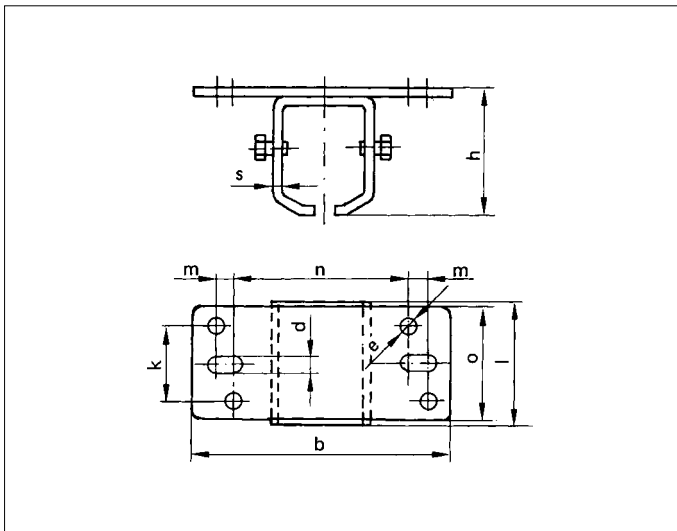


Fig. 11-2

	Size 0	Size 1	Size 2
Des.	0-11	1-11	2-11
b	100	135	170
h	50,5	66	86,5
l	45	65	85
o	45	60	90
s	3,5	4	6
n	70	91	114
m	○	10	10
k	25	40	60
d	∅ 9	13	15
e	6,4	9	11
kg (weight)	0,3	0,6	1,4
ID No.	023296	012691	012119

● = yes, ○ = no

### Joint bracket

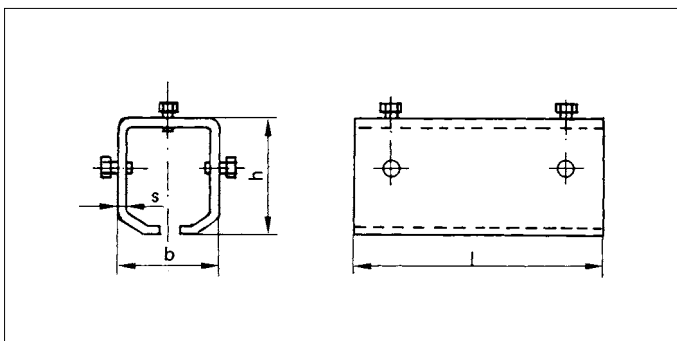


Fig. 11-3

	Size 0	Size 1	Size 2
Des.	0-12	1-12	2-12
b	41	53,5	70
h	47	60,5	80,5
l	90	130	180
s	3,5	4	6
kg (weight)	0,4	0,9	2,1
ID No.	024004	012694	012306

## GEZE Apoll for sliding – Brackets

### Welding bracket

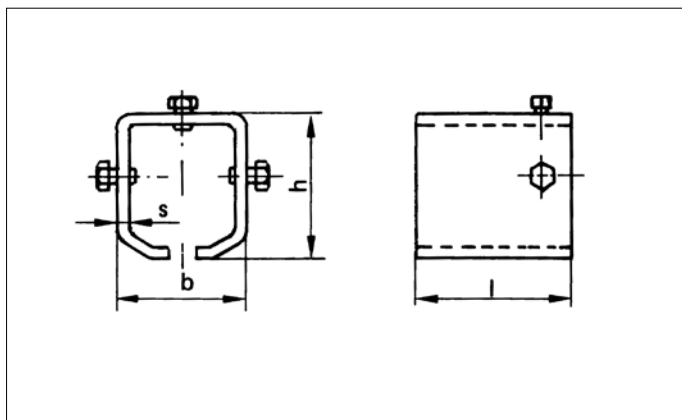


Fig. 12-1

	Size 0	Size 1
Des.	0-13	1-13
b	41	52,5
h	47	60,5
l	45	65
s	3,5	4
kg (weight)	0,2	0,5
ID No.	024093	021697

### Bracket for vertical/lateral adjustment

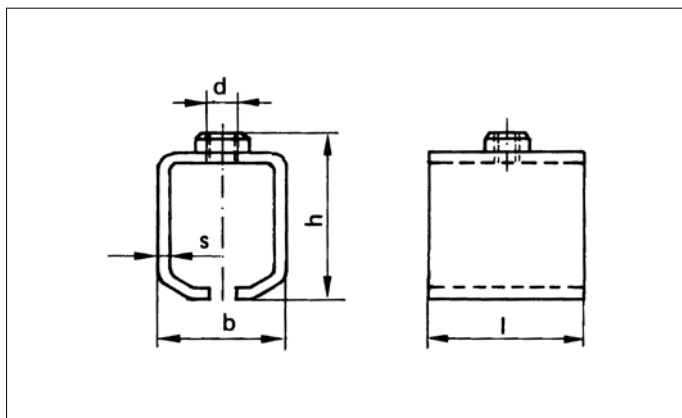


Fig. 12-2

	Size 0	Size 1	Size 2
Des.	0-13	1-13	2-13
b	41	52,5	70
h	50,5	64,5	86
l	45	65	85
s	3,5	4	6
d	M 10	M 12	M 16
kg (weight)	0,2	0,5	1
ID No.	024126	013097	007197

# GEZE APOLL ROLLER-GUIDED GEARS FOR SLIDING DOORS

## GEZE Apoll for sliding doors – Consoles for vertical and lateral adjustment

with bracket for vertical and lateral adjustment: 0-14, 1-14, 2-14

### Single consoles for lateral and vertical adjustment

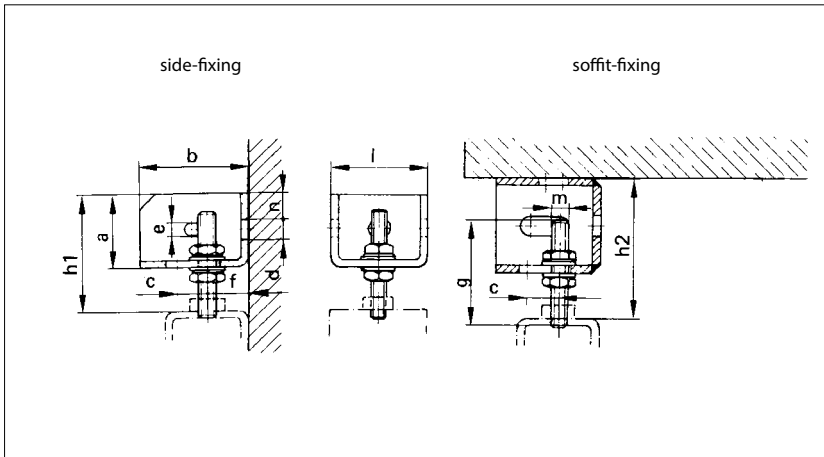


Fig. 13-1

	Size 0	Size 1
Des.	0-20	1-20
h1	62-78	69-97
h2	62-78	84-112
h3	48,5	54,5
h4	48,5	68,5
a	45	50
b	55	70
l	45	64
n	11	24
d	11	13
e	11	9
g	50	70
m	M 10	M 12
f	20,5	26,5
Adjustment range		
c	14	20
kg (weight)	0,3	0,5
ID No.	024325	013772

### Double console for lateral and vertical adjustment

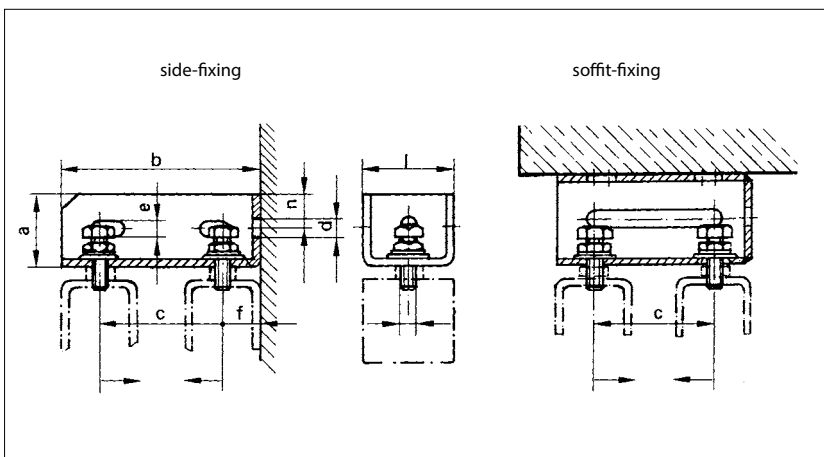


Fig. 13-2

	Size 0	Size 1
Des.	0-21	1-21
h1	62-78	69-97
h2	62-78	84-112
a	45	50
b	110	138
l	45	64
n	15	24
d	11	13
e	11	9
g	50	70
m	M 10	M 12
f	20,5	26,5
Adjustment range		
c	69	85
kg (weight)	0,4	0,8
ID No.	024402	013997

# GEZE APOLL ROLLER-GUIDED GEARS FOR SLIDING DOORS

## GEZE Apoll for sliding doors – Rollers

### Single roller, steel or plastic

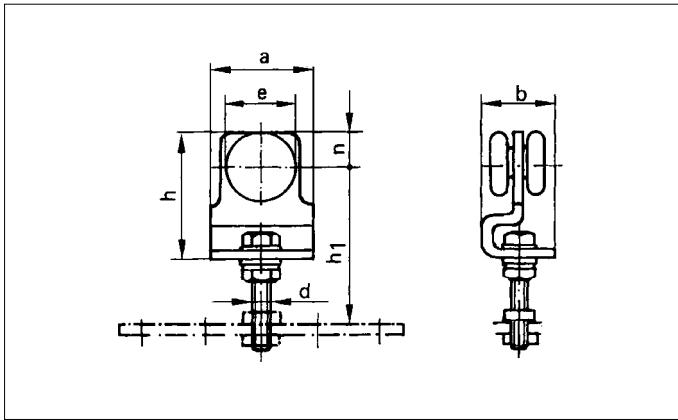


Fig. 14-1

	Size 0	Size 1	Size 2
Des.	0-30	1-30	2-30
Des. ●	0-36	0-36	○
a	50	65	85
b	35	48	68
h	58	80	104
n	13	21	25
e	32	42	56
d	M 10	M 12	M 16
h1	60-83	78-101	101-129
kg (weight)	0,2	0,6	1,4
Load	max. 50 kg	max. 100 kg	max. 200 kg
Load ●	max. 25 kg	max. 50 kg	○
ID No.	016268	012468	008426
ID No. ●	054045	054050	○

● = plastic

● = yes, ○ = no

### Double roller, steel or plastic

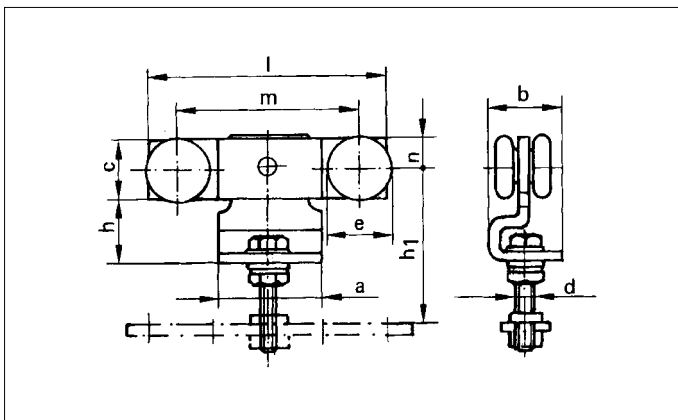


Fig. 14-2

	Size 0	Size 1	Size 2
Des.	0-31	1-31	2-31
Des. ●	0-37	0-37	○
a	50	65	85
b	35	48	68
l	100	150	190
m	80	114	140
h	32	42	56
c	26	37	48
e	32	42	56
d	M 10	M 12	M 16
n	13	20	25
h1	60-83	78-101	101-129
kg (weight)	0,5	1,2	2,7
Load	max. 100 kg	max. 200 kg	max. 300 kg
Load ●	max. 50 kg	max. 100 kg	○
ID No.	017274	012651	009484
ID No. ●	054046	054051	○

● = plastic

● = yes, ○ = no



# GEZE APOLL ROLLER-GUIDED GEARS FOR SLIDING DOORS

## GEZE Apoll for sliding doors – Rollers with pivot bearing

### Single roller with pivot bearing

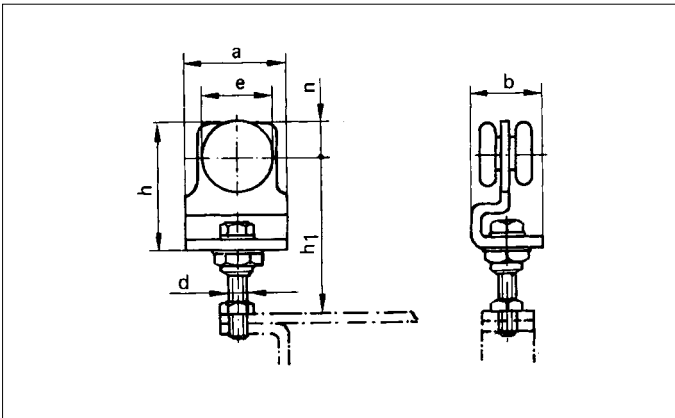


Fig. 15-1

	Size 0	Size 1	Size 2
Des.	0-32	1-32	2-32
a	50	65	85
b	35	48	68
h	58	80	104
n	13	21	25
e	32	42	56
d	M 10	M 12	M 16
h1	60-83	83-101	106-129
kg (weight)	0,27	0,68	1,5
Load	max. 50 kg	max. 100 kg	max. 200 kg
ID No.	050996	051021	049961

### Double roller with pivot bearing

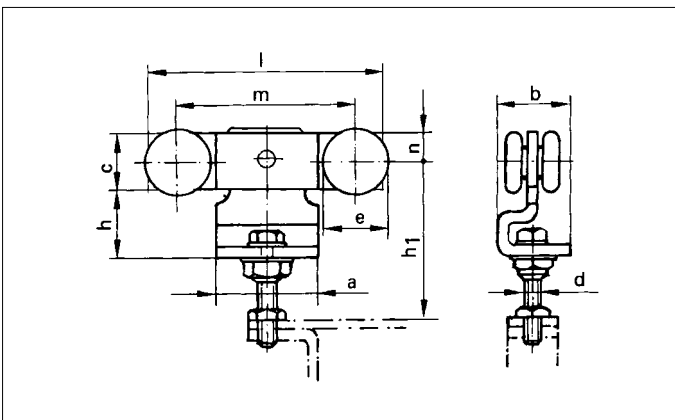


Fig. 15-2

	Size 0	Size 1	Size 2
Des.	0-33	1-33	2-33
a	50	65	85
b	35	48	68
l	100	150	190
m	80	114	140
h	32	42	56
c	26	37	48
e	32	42	56
d	M 10	M 12	M 16
n	13	20	25
h1	60-83	83-101	126-129
kg (weight)	0,57	1,28	2,8
Load	max. 100 kg	max. 200 kg	max. 300 kg
ID No.	050997	049950	049962

# GEZE APOLL ROLLER-GUIDED GEARS FOR SLIDING DOORS

## GEZE Apoll for sliding doors – Door plates and edge-fixing hangers

### Door plate

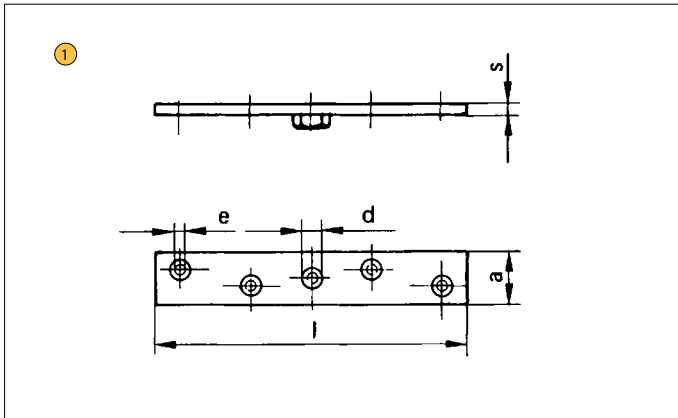


Fig. 16-1

①	Size 0	Size 1	Size 2
Des.	0-40	1-40	2-40
l	110	180	220
a	22	30	40
s	5	6	8
d	M 10	M 12	M 16
e	6,4	8,4	8,4
No. of fixing-holes	4	4	6
kg (weight)	0,1	0,2	0,5
ID No.	018431	012658	010890

### Double-sided hanger

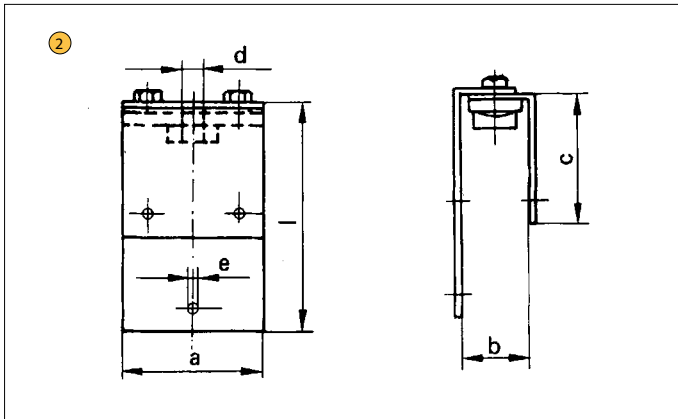


Fig. 16-2

②	Size 0	Size 1
Des.	0-43	1-43/1 1-43/2
a	60	80 80
b	22-37	30-46 44-60
l	80	128 115
c	80	73 60
d	M 10	M 12 M 12
e	6,5	8,5 8,5
kg (weight)	0,2	0,6 0,6
ID No.	019138	012947 012946

### Edge-fixing hanger

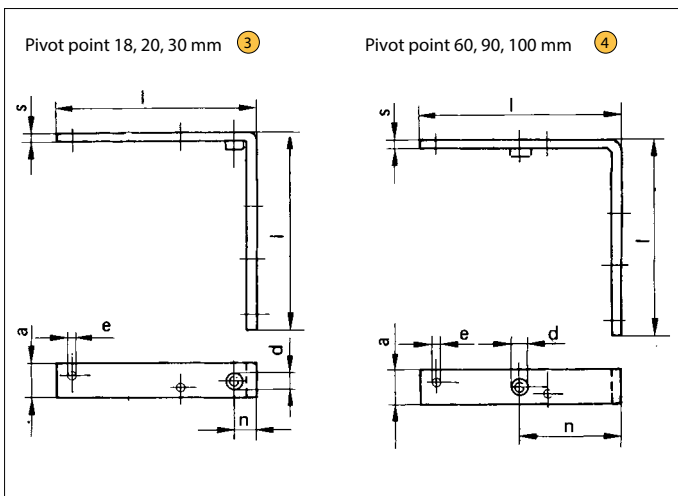


Fig. 16-2

③	Size 0	Size 1
Des.	0-41	1-41
l	110	180
a	22	30
s	5	6
n	18	20
d	M 10	M 12
e	6,4	8,4
No. of fixing-holes	4	6
kg (weight)	0,2	0,5
ID No.	018801	012661

④	Size 0	Size 1
Des.	0-42	1-42
l	110	180
a	22	30
s	5	6
n	60	90
d	M 10	M 12
e	6,4	8,4
No. of fixing-holes	4	6
kg (weight)	0,2	0,5
ID No.	019019	012663

# GEZE APOLL ROLLER-GUIDED GEARS FOR SLIDING DOORS

## GEZE Apoll for sliding doors – Floor guide rollers and floor channel

### Flat-plate guide rollers

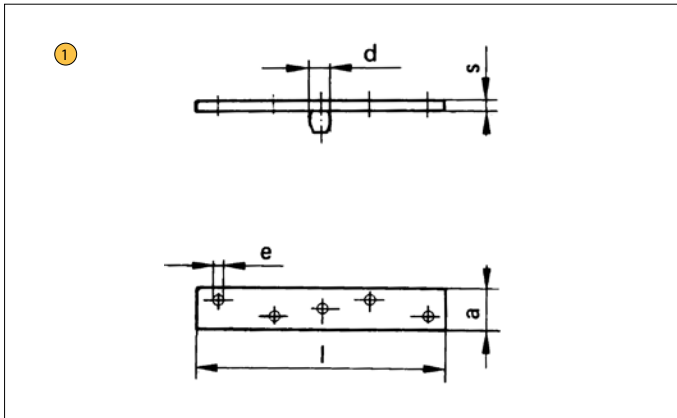


Fig. 17-1

①	Size 0	Size 1	Size 2
Des.	0-50	1-50	2-50
l	110	180	220
a	22	30	40
s	5	6	8
d	∅ 15,5	∅ 15,5	∅ 22
e	6,4	8,4	8,4
No. of fixing-holes	4	4	6
kg (weight)	0,11	0,3	0,5
ID No.	019884	012665	011139

### Floor channel

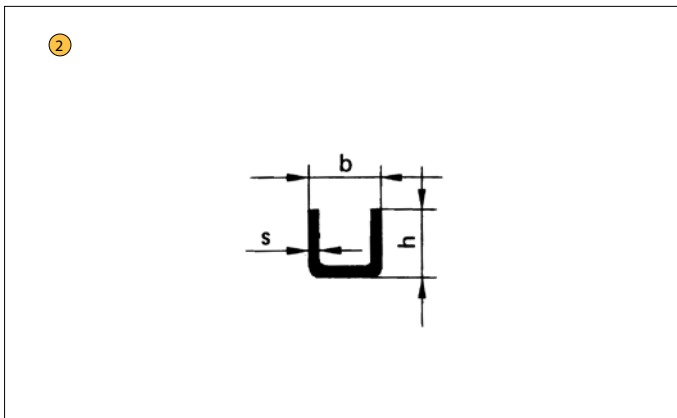


Fig. 17-2

②	Size 1	Size 2
Des.	0-54	2-54
b	20	30
h	20	30
s	1,5	2,5
kg/m (weight)	0,5	1,95
ID No.	051649	051654

### Floor guide roller

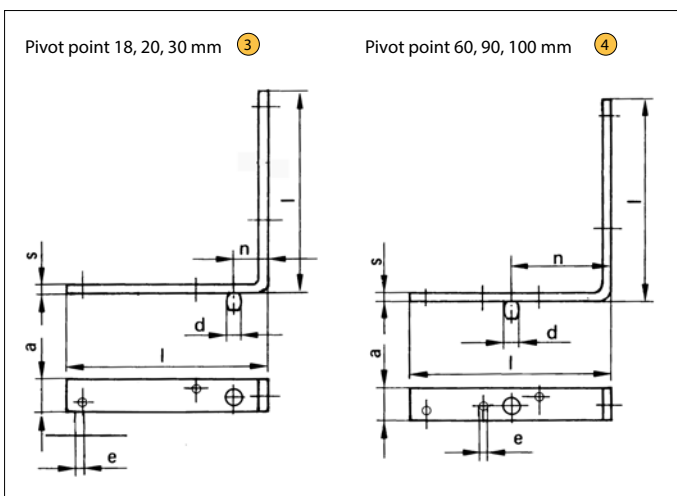


Fig. 17-2

③	Size 0	Size 1
Des.	0-51	1-41
l	110	180
a	22	30
s	5	6
n	18	20
d	∅ 15,5	∅ 15,5
e	6,4	8,4
No. of fixing-holes	4	6
kg (weight)	0,2	0,5
ID No.	020404	012670

④	Size 0	Size 1
Des.	0-52	1-52
l	110	180
a	22	30
s	5	6
n	60	90
d	∅ 15,5	∅ 15,5
e	6,4	8,4
No. of fixing-holes	4	6
kg (weight)	0,2	0,5
ID No.	020522	021672

# GEZE APOLL ROLLER-GUIDED GEARS FOR SLIDING DOORS

## GEZE Apoll for sliding doors – Curved floor channel and accessories

### Curved floor channel

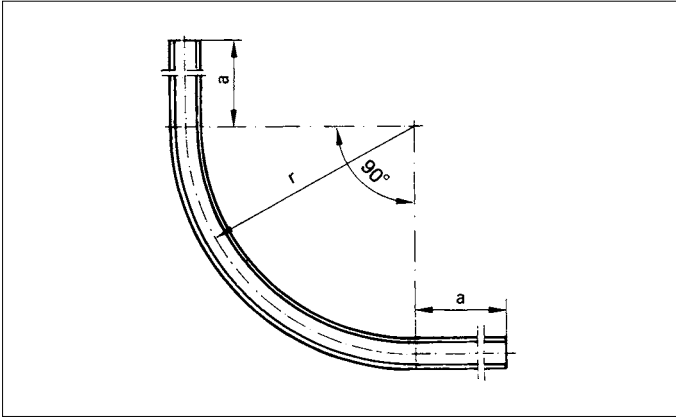


Fig. 18-1

	Size 0	Size 1	Size 2
Des.	0-55	1-55	2-55
a	200	200	300
r	700	800	1000
kg (weight)	0,90	0,99	4,2
straight length	1500	1660	2170
<b>ID No.</b>	<b>054770</b>	<b>054772</b>	<b>054774</b>

### Door stop

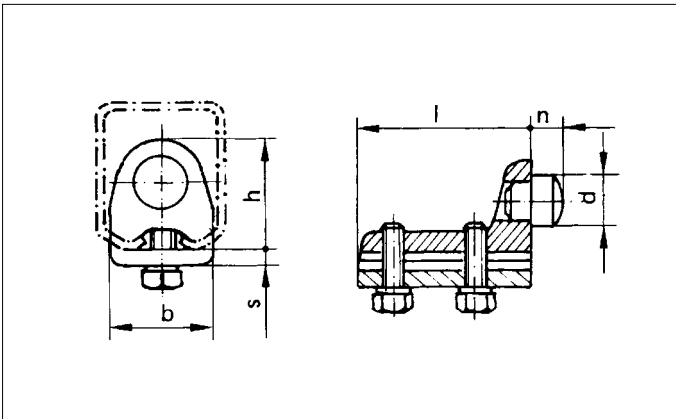


Fig. 18-2

	Size 0	Size 1	Size 2
Des.	0-3	1-3	2-3
b	30	35	50
l	46	61	88
h	28,5	39	51
s	5	6	8
n	6	9,5	12
d	ø 14	ø 18	ø 30
kg (weight)	0,1	0,3	0,8
<b>ID No.</b>	<b>024689</b>	<b>014440</b>	<b>007371</b>

### Wall-fixed door stop

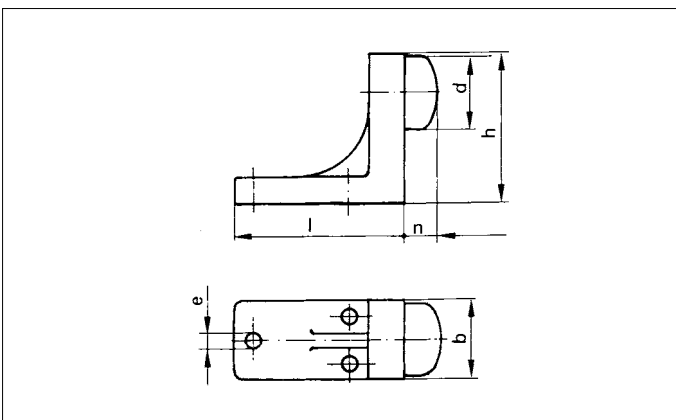


Fig. 18-3

	Size 1	Size 2
Des.	1-66	2-66
l	58	87
b	26	36
h	47	62
d	ø 24	ø 30
n	10,5	12
e	5	6
kg (weight)	0,15	0,36
<b>ID No.</b>	<b>000339</b>	<b>000342</b>

## GEZE APOLL ROLLER-GUIDED GEARS FOR SLIDING DOORS

## ORDERING INFORMATION – GEZE APOLL FOR SLIDING DOORS

Description	Fitting No.	ID No. Size 0	ID No. Size 1	ID No. Size 2
<b>Track, galvanized steel</b>	bearing length 6 m	-1	025769	018015 018014
	cut to size	-1	051506	051473 051472
<b>Track curve, galvanized steel</b> Curve 90°	radius 700 mm	0-2	054769	○ ○
	radius 800 mm	1-2	○	054771 ○
	radius 1000 mm	2-2	○	○ 054773
<b>Door stop</b>		-3	024689	014440 007371
<b>Brackets and consoles</b>				
Side-fixing bracket		-10	020701	012686 011554
Soffit-fixing bracket		-11	023286	012691 012119
Joint bracket		-12	024004	012694 012306
Welding bracket		-13	024093	012697 ○
Bracket for vertical and lateral adjustment		-14	024126	013097 007197
Single console for vertical and lateral adjustment		-20	024325	013772 ○
Double console for vertical and lateral adjustment		-21	024402	013997 ○
<b>Rollers</b>		-21		
Single roller, steel		-30	016268	012468 008426
Single roller, plastic		-36	054045	054050 ○
Double roller, steel		-31	017274	012651 009484
Double roller, plastic		-37	054046	054051 ○
Single roller with pivot bearing <sup>*)</sup>		-32	050996	051021 049961
Single roller with pivot bearing <sup>*)</sup>		-33	050997	049950 049962
Pivot bearing		-34	050998	049951 049963
<b>Door plates and edge-fixing hangers</b>				
Door plate		-40	018431	012658 010890
Edge-fixing hanger	pivot point 18 mm	0-41	018801	○ ○
	pivot point 60 mm	0-42	019019	○ ○
	pivot point 20 mm	1-41	○	012661 ○
	pivot point 90 mm	1-42	○	012663 ○
Double-sided hanger	for door thickness 22-37 mm	0-43	019138	○ ○
	for door thickness 30-46 mm	1-43/1	○	012947 ○
	for door thickness 44-60 mm	1-43/2	○	012946 ○
<b>Guide rollers</b>				
Flat-plate guide roller		-50	019884	012665 011139
Edge-fixing guide roller	pivot point 18 mm	0-51	020404	○ ○
	pivot point 60 mm	0-52	020522	○ ○
	pivot point 20 mm	1-51	○	012670 ○
	pivot point 90 mm	1-52	○	012672 ○
Floor channel, galvanized	bearing length 6 m	-54	051649	051649 051654
	cut to size	-54	051650	051650 051655
<b>Curved floor channel</b> Curve 90°	radius 700 mm, blank	0-55	054770	○ ○
	radius 800 mm, blank	1-55	○	054772 ○
	radius 1000 mm	2-55	○	○ 054774
<b>Accessories</b>				
Wall-fixed door stop		-66	000339	000339 000342

● = yes, ○ = no

<sup>\*)</sup> For sliding doors with curved track the rollers with pivot bearings should be used.

### GEZE Apoll for end-folding doors – Size 0,1,2

The leaves fold out only in one direction. Because of the eccentric load when the door is folded, a bottom guide roller is essential.

There are three common fitting options:

- Butt surface-mounted
- Butt flush-mounted
- Rebate-mounted.

The roller forms the pivot point on the front face of every second leaf.

A full-height swing leaf is only possible with an odd number of leaves.

The most usual form of track mounting is by side- or soffit-fixing brackets.

Flush bolts should be fitted to the fold-out side.

The floor guide rollers should be fitted plump underneath the pivot point of the rollers.

The best leaf widths are between 600 mm and 900 mm.

Use 3 hinges per leaf; for high leaves ( $\geq 280$  cm) 4. Hinges with ball bearings are recommended.

Starting with the end leaf hinged to the jamb, every second leaf is fitted with a roller with pivot bearing and edge-fitting hanger.

When choosing the track size and the roller, it should be noted that each roller has to take approximately the weight of two leaves.

The use of double rollers is recommended.

In the fold area the brackets for track mounting should be spaced at 350 mm (increased load-bearing).

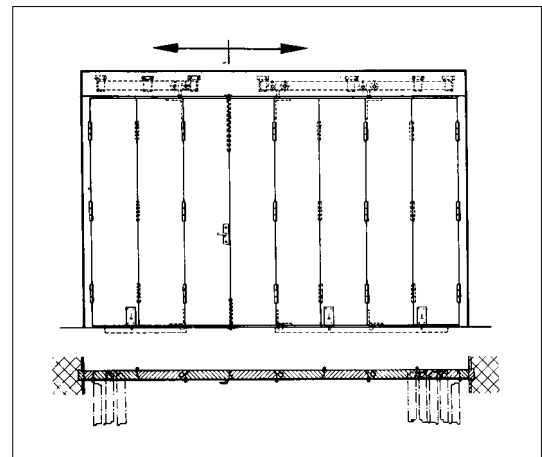


Fig. 20-1



# GEZE APOLL ROLLER-GUIDED GEARS FOR SLIDING DOORS

## GEZE Apoll for end-folding doors – Size 0,1,2

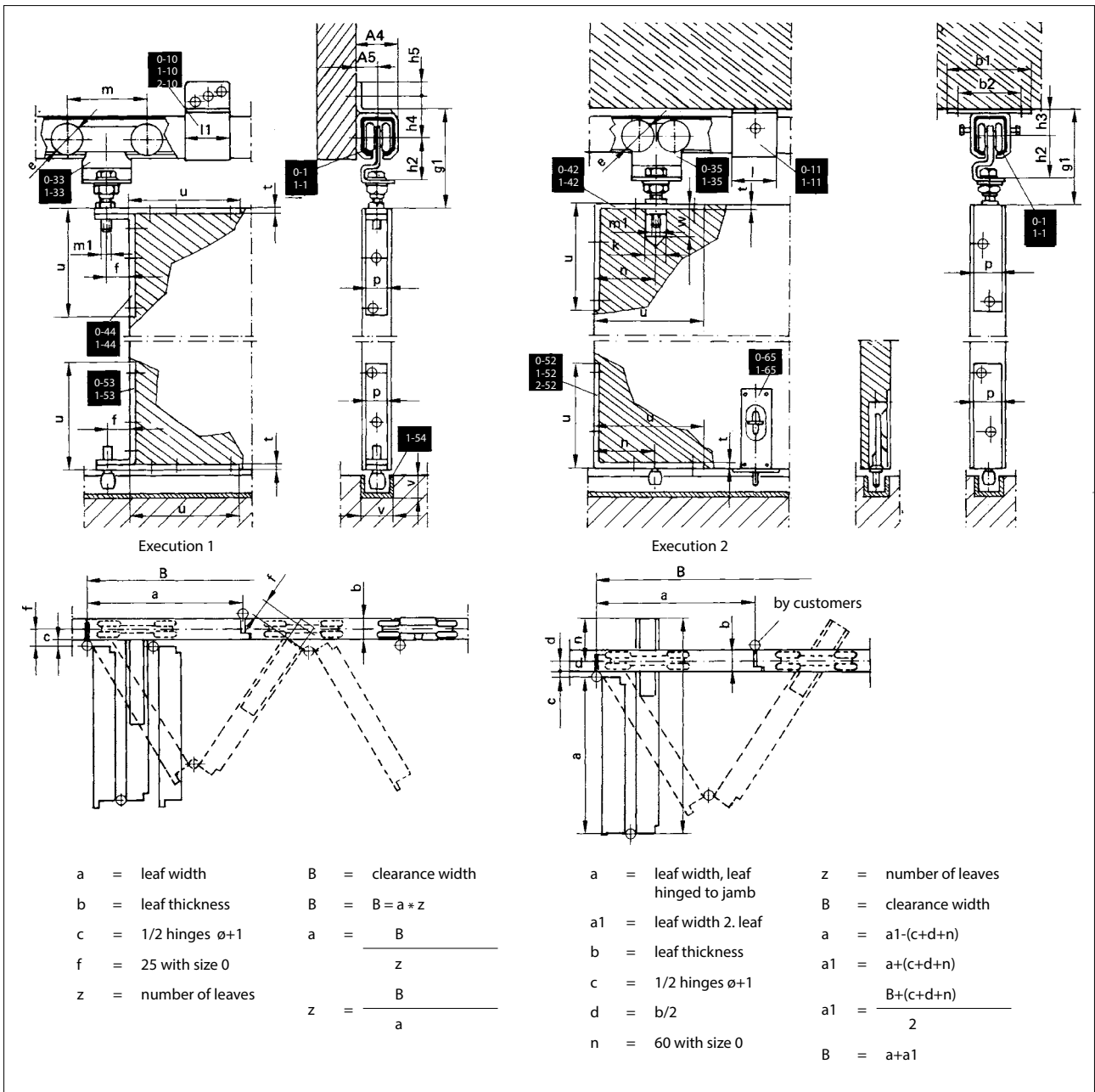


Fig. 21-1

	Size 0	Size 1	Size 2
A4	41	52,5	70
A5	20,5	26,5	35
b1	100	135	170
b2	70	91	114
e	32	42	56
f	25	32	39,5
g1	98-111,5	122,5-141,5	157-180,5
h2	41,5	53	71
h3	29	38	48,5
h4	43,5	55,5	72,5
h5	15	18	24,5

	Size 0	Size 1	Size 2
k	$\varnothing 22$	$\varnothing 24$	$\varnothing 30$
l	45	65	85
l1	45	65	95
m	80	114	140
m1	M 10	M 12	M 16
n	60	90	100
p	22	30	40
t	5	6	8
u	110	180	220
v	20	20	30
w	35	45	53

# GEZE APOLL ROLLER-GUIDED GEARS FOR SLIDING DOORS

## GEZE Apoll for end-folding doors – Size 0,1,2

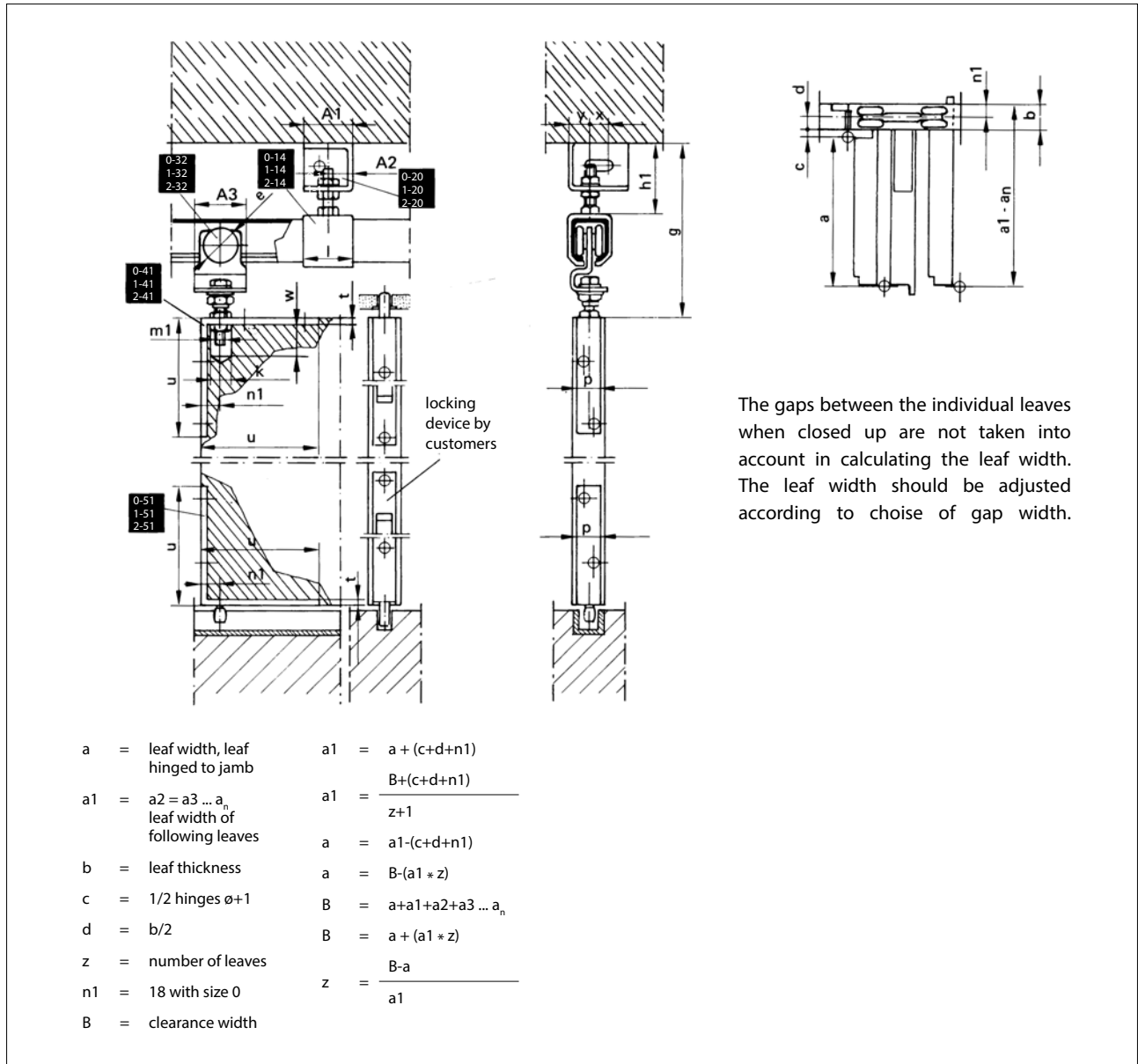


Fig. 22-1

	Size 0	Size 1	Size 2
A1	45	49	80
A2	22,5	25	40
A3	50	65	85
e	32	42	56
g	156-186,5	202-251	265-319,5
h1	61,5-78,5	84-112	114-145

	Size 0	Size 1	Size 2
k	ø 22	ø 24	ø 30
l	45	65	85
lm1	M 10	M 12	M 16
n1	18	20	30
p	22	30	40
t	5	6	8
u	110	180	220
w	35	45	53
x	14	20	30
y	20,5	26,5	35

# GEZE APOLL ROLLER-GUIDED GEARS FOR SLIDING DOORS

## GEZE Apoll for end-folding doors – Mounting options

### Mounting option for end-folding doors: Butt surface-mounted

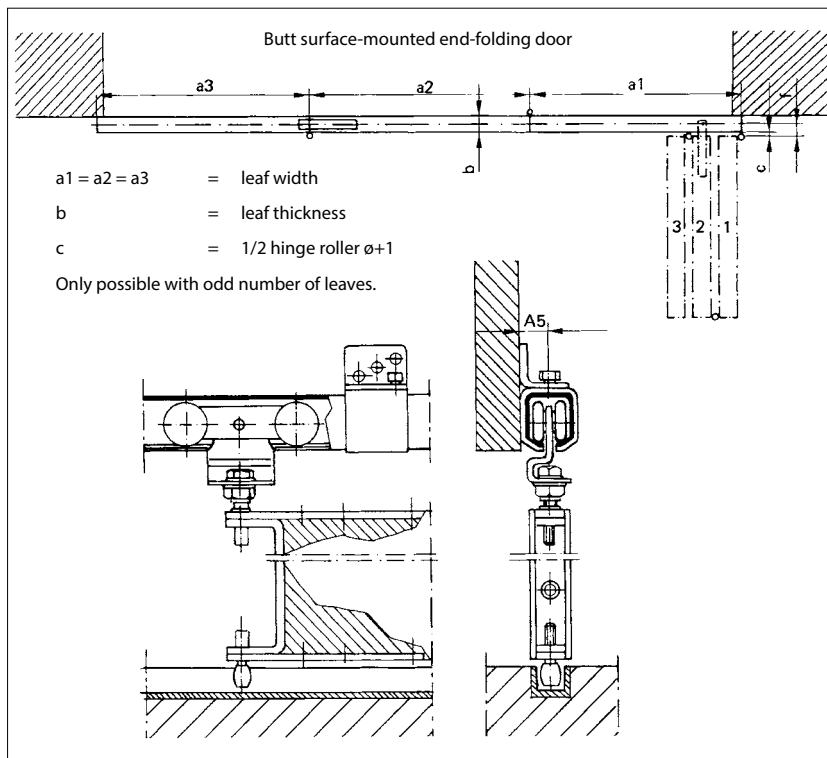


Fig. 23-1

### Mounting option for end-folding doors: Butt flush-mounted

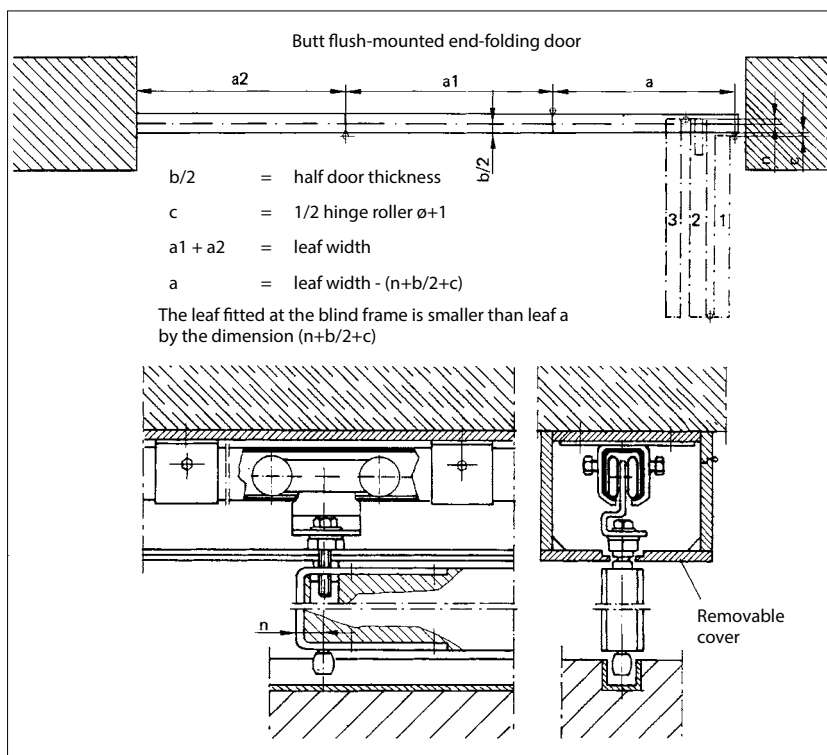


Fig. 23-2

### Mounting options and examples for end-folding doors

For end-folding doors there are three different methods of fitting:

#### Butt surface-mounted

Butt surface-mounted, wall mounting with side-fixed bracket -10, track -1, double roller with pivot bearing -33, edge-fixing hanger for end-folding doors -44, edge-fixing guide roller for end-folding doors -53 and flush bolt -65, floor channel -54.

	Size 0	Size 1	Size 2
Edge-fixing hanger			
	0-44	1-44	2-44
Edge-fixing guide roller			
	0-53	1-53	2-53
Dim.	25	32	39,5
f			
Dim.	20,5	26,5	35

#### Butt flush-mounted

Butt flush-mounted, soffit mounting with soffit-fixing bracket -11, track -1, double roller with pivot bearing -33, edge-fixing hanger -41, floor guide roller -51 and flush bolt -65, floor channel -54.

	Size 0	Size 1	Size 2
Edge-fixing hanger			
	0-41	1-41	2-41
Floor guide			
	0-51	1-51	2-51
Dim. n	18	20	30

# GEZE APOLL ROLLER-GUIDED GEARS FOR SLIDING DOORS

## GEZE Apoll for end-folding doors – Mounting options

### Mounting option for end-folding doors: Rebate-mounted

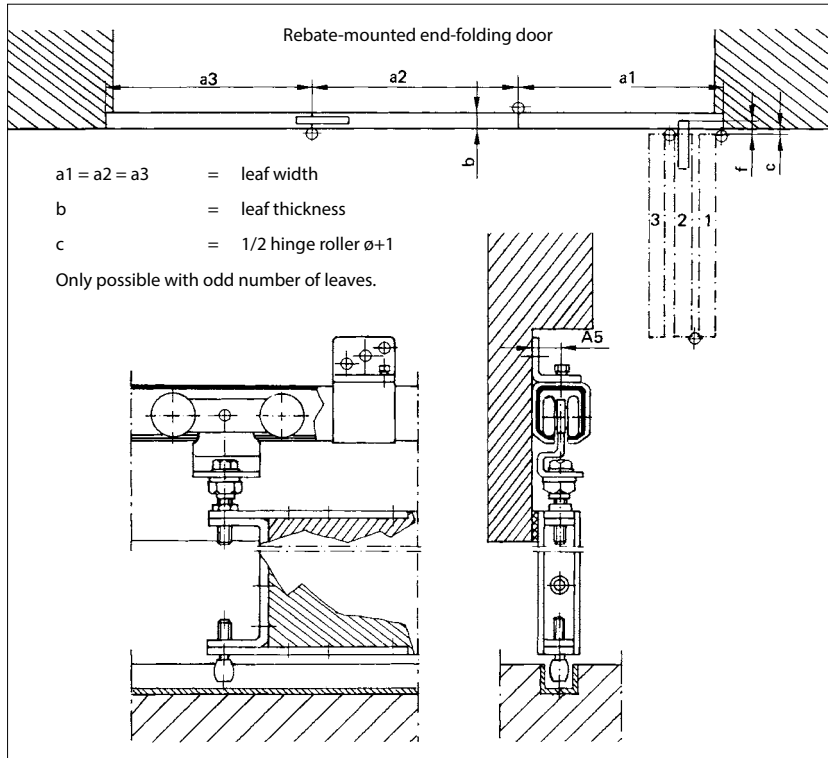


Fig. 24-1

#### Rebate-mounted

Rebate-mounted, wall mounting with side-fixing bracket -10, track -1, double roller with pivot bearing -33, edge-fixing hanger for end-folding doors -44, edge-fixing guide roller for end-folding doors -53 and flush bolt -65, floor channel -54.



	Size 0	Size 1	Size 2
Edge-fixing hanger			
	0-44	1-44	2-44
Edge-fixing guide roller			
	0-53	1-53	2-53
Dim. f	25	32	39,5
Dim.	20,5	26,5	35

### STANDARD DRAWINGS FOR END-FOLDING DOORS

Drawing	ID No.	
Side- and soffit-fixing GEZE Apoll Size 0	10620/0-10	
Side-fixing with side-fixing bracket GEZE Apoll Size 1	10621/0-10	
Soffit-fixing with soffit-fixing bracket GEZE Apoll Size 1	10621/0-11	
Soffit-fixing with single console for vertical and lateral adjustment	GEZE Apoll Size 1	10621/0-12
	GEZE Apoll Size 2	10622/0-12

# GEZE APOLL ROLLER-GUIDED GEARS FOR SLIDING DOORS

## ORDERING INFORMATION – GEZE APOLL FOR END-FOLDING DOORS


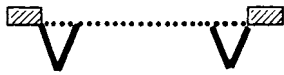
Summary of fittings	Fitting No.	ID No. Size 0	ID No. Size 1	ID No. Size 2		
 <b>2-leaf end-folding door:</b>						
1 track, length = twice leaf width + 100 mm, cut to size	-1	051506	051473	010890		
1 side-fixing bracket per 700 mm track length	-10	020701	012686	011554		
1 double roller with pivot bearing	-33	050997	049950	049962		
or 1 double roller with pivot bearing, reduced version	-35	054044	054052	○		
or 1 single roller with pivot bearing	-32	050996	051021	049961		
1 edge-fixing hanger		pivot point 118 mm	0-41	018801	○	○
		pivot point 160 mm	0-42	019019	○	○
		pivot point 120 mm	1-41	○	012661	○
		pivot point 190 mm	1-42	○	012663	○
or						
1 edge-fixing hanger for end-folding doors	-44	050994	051012	○		
1 edge-fixing guide roller		pivot point 118 mm	0-51	020404	○	○
		pivot point 160 mm	0-52	020522	○	○
		pivot point 120 mm	1-51	○	012670	○
		pivot point 190 mm	1-52	○	012672	○
or						
1 edge-fixing guide roller for end-folding doors	-53	050995	051015	○		
1 floor channel for end-folding doors, cut to size (length as track)	-54	051650	051650	051655		
1 flush bolt		82 x 35 mm	0-65	049974	○	○
		120 x 45 mm	1-65	○	149694	149694
3 to 4 hinges per leaf with ball bearing rings supplied by customer						
For soffit-fixing						
1 soffit-fixing bracket per 700 mm track length	-11	023286	012691	012119		
or						
1 height-adjustable soffit-fixing per 700 mm track length, consisting of single console	-20	024325	013772	○		
and bracket	-14	024126	013097	007197		
 <b>3-leaf end-folding door:</b>						
Fittings as for 2-leaf unit, track and floor channel in length for 2-leaf width, but hinges for 3 leaves						

● = yes, ○ = no

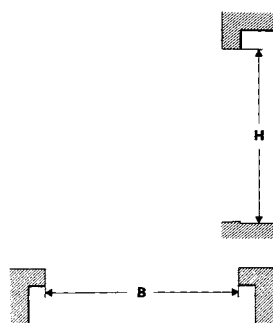
Summary of fittings **4-leaf end-folding door**, see next page

# GEZE APOLL ROLLER-GUIDED GEARS FOR SLIDING DOORS

## ORDERING INFORMATION – GEZE APOLL FOR END-FOLDING DOORS

Summary of fittings		Fitting No.	ID No. Size 0	ID No. Size 1	ID No. Size 2
 <p><b>4-leaf end-folding door:</b></p>					
1 track, length = width of 4 leaves + 100 mm, cut to size		-1	051506	051473	051472
1 side-fixing bracket per 700 mm track length (in fold area per 350 mm)		-10	020701	012686	011554
2 double rollers with pivot bearing		-33	050997	049950	049962
or 2 double rollers with pivot bearing, reduced version		-35	054044	054052	○
or 2 single rollers with pivot bearing		-32	050996	051021	049961
2 edge-fixing hangers	pivot point 118 mm	0-41	018801	○	○
	pivot point 160 mm	0-42	019019	○	○
	pivot point 120 mm	1-41	○	012661	○
	pivot point 190 mm	1-42	○	012663	○
or 2 edge-fixing hangers for end-folding doors		-44	050994	051012	○
2 edge-fixing guide rollers	pivot point 118 mm	0-51	020404	○	○
	pivot point 160 mm	0-52	020522	○	○
	pivot point 120 mm	1-51	○	012670	○
	pivot point 190 mm	1-52	○	012672	○
or 2 edge-fixing guide rollers for end-folding doors		-53	050995	051015	○
1 floor channel, cut to size (length as track)		-54	051650	051650	051655
2 flush bolts	82 x 35 mm	0-65	049974	○	○
	120 x 45 mm	1-65	○	149694	149694
3 to 4 hinges per leaf with ball bearing rings supplied by customer					
For soffit fixing					
1 soffit-fixing bracket per 700 mm track length		-11	023286	012691	012119
or					
1 height-adjustable soffit-fixing per 700 mm track length, consisting of single console and bracket		-20	024325	013772	○
		-14	024126	013097	007197
 <p><b>4-leaf end-folding door:</b> (2 leaves each folding to left and right resp., track etc.)</p>					
as 2x2-leaf unit, but with					
2 edge-fixing hangers	pivot point 160 mm	0-42	019019	○	○
	pivot point 190 mm	1-42	○	012663	○
2 edge-fixing guide rollers	pivot point 160 mm	0-52	020522	○	○
	pivot point 190 mm	1-52	○	012672	○
	pivot point 90 mm	1-52	○	012672	○

● = yes, ○ = no



### Ordering information

GEZE Apoll end-folding door gear size ...  
 number of leaves ...  
 folding to right (left) ,  
 side-fixing (or soffit-fixing) ...  
 block frame clearance height and width (H, B)



# GEZE APOLL ROLLER-GUIDED GEARS FOR SLIDING DOORS

## GEZE Apoll for centre-folding doors – Size 0,1,2

Centre-folding, i. e. half inward and half outward.

Centre-folding doors start with a half leaf hinged to the jamb.

The rollers are fitted above the centre of the leaf.

The first roller is normally positioned at the first full leaf.

The track can be mounted with soffit- oder side-fixing brackets.

On the underside of each leaf, on the side towards which the leaf folds, a flush bolt is fitted.

The floor guide should be arranged plumb underneath the roller carriage.

The best leaf widths are between 600 mm and 900 mm.

Use 3 hinges per leaf; for high leaves ( $\geq 280$  cm) 4. Hinges with ball bearings are recommended.

The first leaf is fitted with a roller; thereafter every second leaf.

When choosing the track size and the roller, it should be noted that each roller has to take approximately the weight of two leaves.

The use of double rollers is recommended.

In the fold area the brackets for track mounting should be spaced at 350 mm (increased load-bearing).

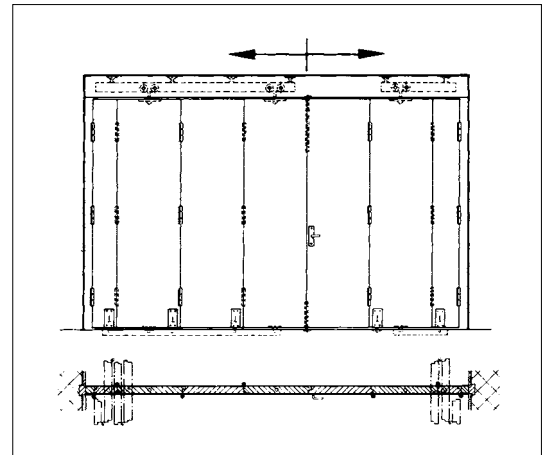


Fig. 27-1

# GEZE APOLL ROLLER-GUIDED GEARS FOR SLIDING DOORS

## GEZE Apoll for centre-folding doors – Mounting options

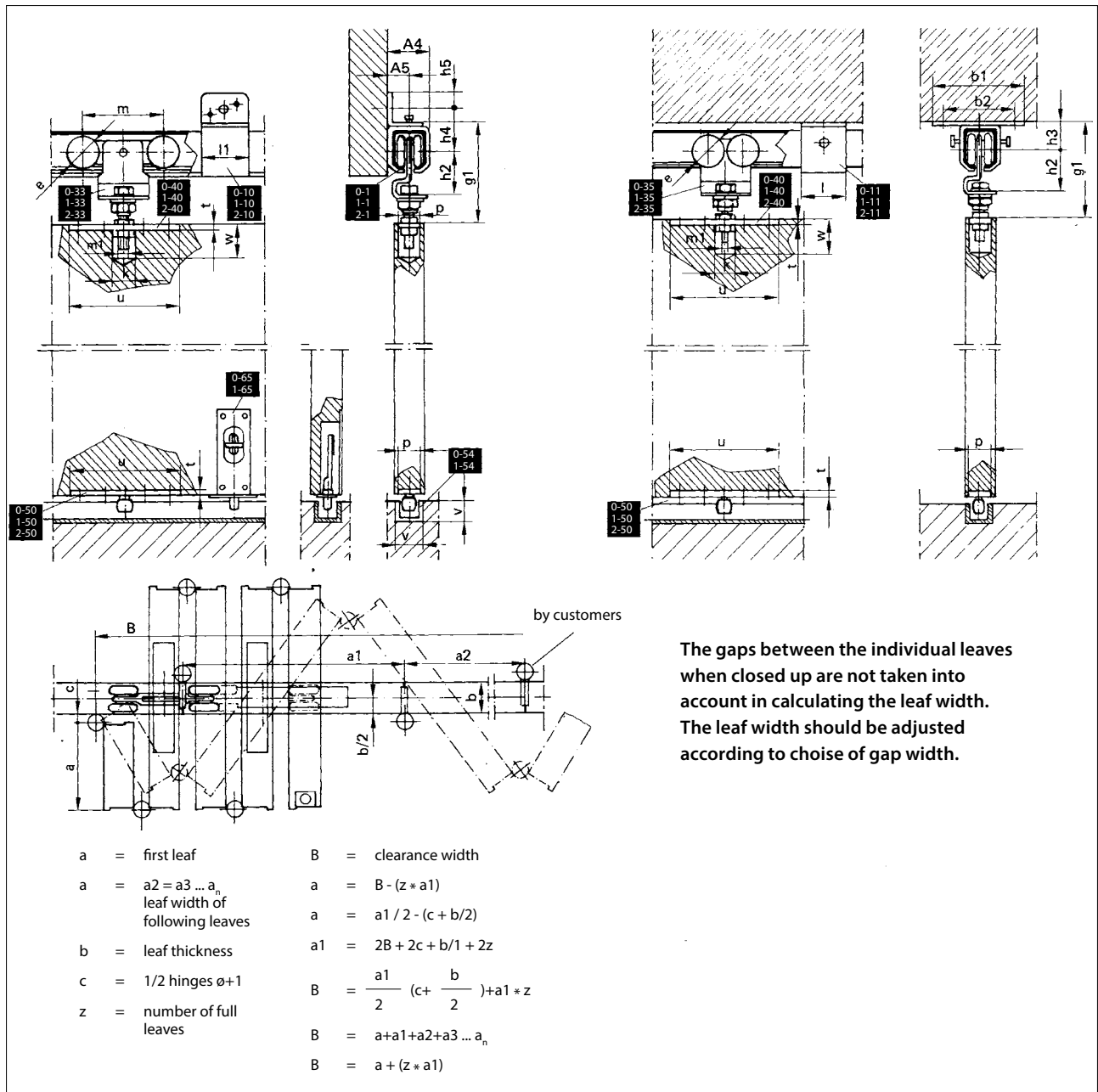


Fig. 28-1

	Size 0	Size 1	Size 2
A4	41	52,5	70
A5	20,5	26,5	35
b1	100	135	170
b2	70	91	114
e	32	42	56
g1	98-111,5	122,5-141,5	157-180,5
h2	41,5	53	71
h3	29	38	48,5
h4	43,5	55,5	72,5
h5	15	18	24,5

	Size 0	Size 1	Size 2
k	ø 22	ø 24	ø 30
l	45	65	85
l1	45	65	95
m	80	114	140
m1	M 10	M 12	M 16
p	22	30	40
t	5	6	8
u	110	180	220
v	20	20	30
w	35	45	53

# GEZE APOLL ROLLER-GUIDED GEARS FOR SLIDING DOORS

## GEZE Apoll for centre-folding doors – Mounting options

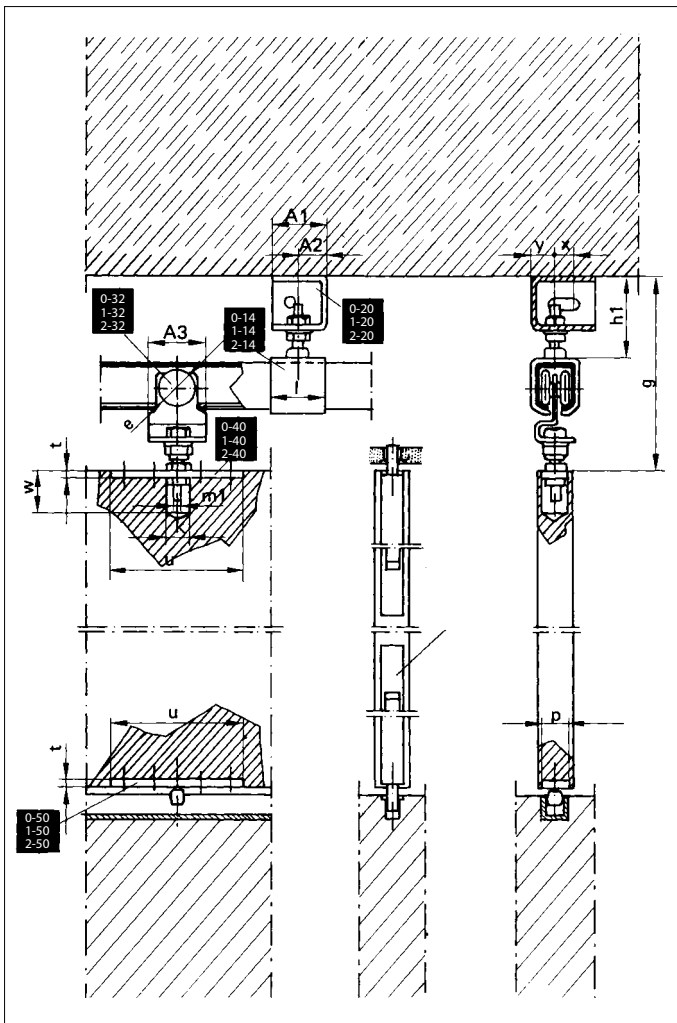


Fig. 29-1

	Size 0	Size 1	Size 2
A1	45	50	80
A2	22,5	25	40
A3	50	65	85
e	32	42	56
g	156,5-186,5	219-242	277,5-345
h1	61,5-78,5	84-112	115-145

	Size 0	Size 1	Size 2
k	∅ 22	∅ 24	∅ 30
l	45	65	85
m1	M 10	M 12	M 16
p	22	30	40
t	5	6	8
u	110	180	220
w	35	45	53
x	14	20	30
y	20,5	26,5	35

### STANDARD DRAWINGS FOR CENTRE-FOLDING DOORS

Drawing	ID No.
Side- and soffit-fixing GEZE Apoll Size 0	10620/0-20
Side-fixing	GEZE Apoll Size 1
	GEZE Apoll Size 2
Soffit-fixing	GEZE Apoll Size 1
	GEZE Apoll Size 2

# GEZE APOLL ROLLER-GUIDED GEARS FOR SLIDING DOORS

## GEZE Apoll for centre-folding doors – Mounting options

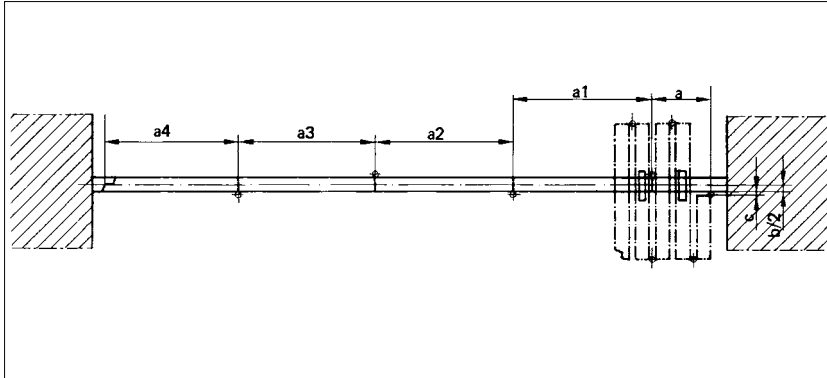


Fig. 30-1

	Size 0	Size 1	Size 2
Door plate	0-40	1-40	2-40
Floor guide roller	0-50	1-50	2-50

$a_1 = a_2 = a_3 \dots a_n$  width of following leaves  
 $a$  = width of the first leaf to blind frame

### Soffit-fixing

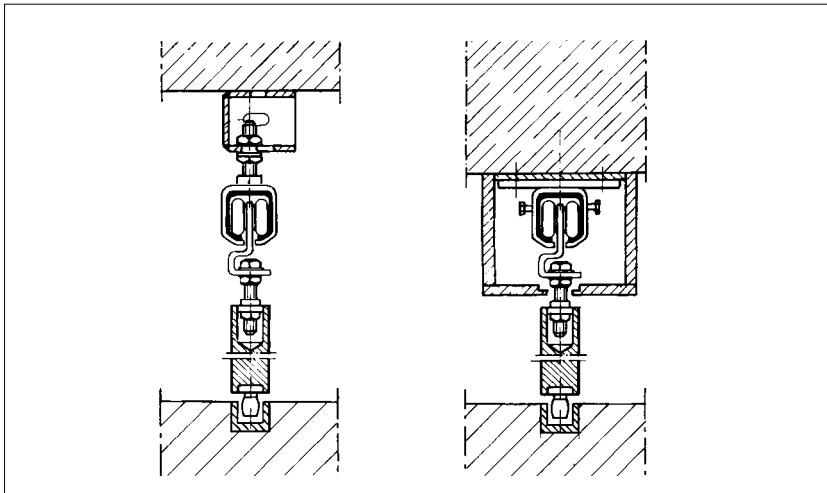


Fig. 30-2

#### Soffit-fixing

With single console -20, bracket for vertical and lateral adjustment -14, track -1, double roller with pivot bearing -33, door plate -40, flat-plate guide roller -50, flush bolt -65, floor channel -54.

With soffit-fixing bracket -11, track -1, double roller with pivot bearing -33, door plate -40, flat-plate guide roller -50, flush bolt -65, floor channel -54.

### Side-fixing

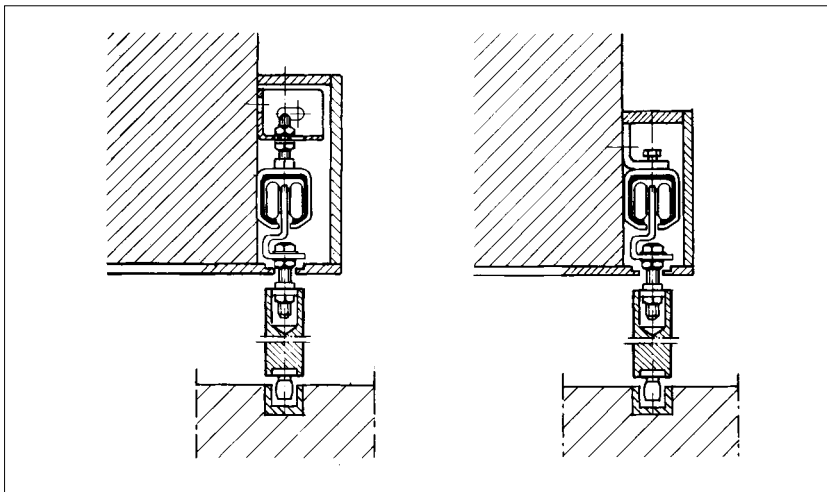


Fig. 30-3



#### Side-fixing

With single console -20, bracket for vertical and lateral adjustment -14, track -1, double roller with pivot bearing -33, door plate -40, flat-plate guide roller -50, flush bolt -65, door channel -54.

With side-fixing bracket -10, track -1, double roller with pivot bearing -33, door plate -40, flat-plate guide roller -50, flush bolt -65, door channel -54.

## GEZE APOLL ROLLER-GUIDED GEARS FOR SLIDING DOORS

## ORDERING INFORMATION – GEZE APOLL FOR CENTRE-FOLDING DOORS

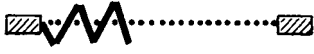
Summary of fittings	Fitting No.	ID No. Size 0	ID No. Size 1	ID No. Size 2
 <b>2 1/2-leaf centre-folding doors:</b>				
1 track, length = 1 x leaf width + 100 mm, cut to size	-1	051506	051473	051472
1 soffit-fixing bracket per 700 mm track length	-11	023286	021691	012119
or				
1 single console for vertical and lateral adjustment	-20	024325	013772	○
with 1 soffit-fixing bracket per 700 mm track length	-14	024126	013097	007197
1 double roller with pivot bearing	-33	050997	049950	049962
or 1 double roller with pivot bearing, reduced version	-35	054044	054052	○
or 1 single roller with pivot bearing	-32	050996	051021	049961
1 door plate	-40	018431	012658	010890
1 flat-plate guide roller	-50	019884	012665	011139
1 floor channel, length as track, cut to size	-54	051650	051650	051655
2 flush bolts				
82 x 35 mm	0-65	049974	○	○
120 x 65 mm	1-65	○	149694	149694
3 to 4 hinges per leaf with ball bearing rings supplied by customer				
For side-fixing				
1 side-fixing bracket per 700 mm track length	-10	020701	012686	011554
 <b>2 1/2-leaf centre-folding door:</b>				
1 track, length = 3 x leaf width + 100 mm, cut to size	-1	051506	051473	051472
1 soffit-fixing bracket per 700 mm track length (in fold area per 350 mm)	-11	023286	012691	012119
or				
1 single console for vertical and lateral adjustment	-20	024325	013772	○
with 1 bracket for vertical and lateral adjustment per 700 mm track length	-14	024126	013097	007197
2 double rollers with pivot bearing	-33	050997	049950	049962
or 2 double rollers with pivot bearing, reduced version	-35	054044	054052	○
or 2 single rollers with pivot bearing	-32	050996	051021	049961
2 door plates	-40	018431	012658	010890
2 flat-plate guide rollers	-50	019884	012665	011139
1 door channel, length as track, cut to size	-54	051650	051650	051655
3 flush bolts				
82 x 35 mm	0-65	049974	○	○
120 x 65 mm	1-65	○	149694	149694
3 to 4 hinges per leaf with ball bearing rings supplied by customer				
For side-fixing				
1 side-fixing bracket per 700 mm track length (in fold area per 350 mm)	-10	020701	012686	011554

● = yes, ○ = no

Summary of fittings 4 1/2-leaf centre-folding door fitting systems, see next page

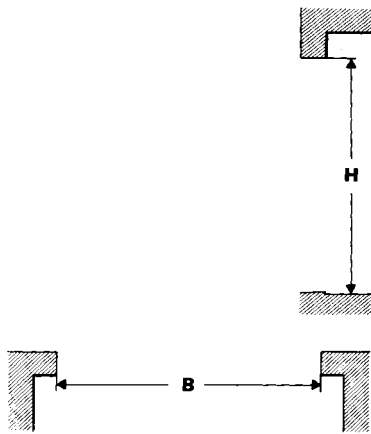
# GEZE APOLL ROLLER-GUIDED GEARS FOR SLIDING DOORS

## ORDERING INFORMATION – GEZE APOLL FOR CENTRE-FOLDING DOORS

Summary of fittings	Fitting No.	ID No. Size 0	ID No. Size 1	ID No. Size 2
 <b>4 1/2-leaf centre-folding door:</b>				
1 track, length = 3 x leaf width + 100 mm, cut to size	-1	051506	051473	051472
1 soffit-fixing bracket per 700 mm track length (in fold area per 350 mm)	-11	023286	021691	012119
or				
1 single console for vertical and lateral adjustment	-20	024325	013772	○
with 1 bracket for vertical and lateral adjustment per 700 mm track length	-14	024126	013097	007197
2 double rollers with pivot bearing	-33	050997	049950	049962
or 2 double rollers with pivot bearing, reduced version	-35	054044	054052	○
or 2 single rollers with pivot bearing	-32	050996	051021	049961
2 door plates	-40	018431	012658	010890
2 flat-plate guide rollers	-50	019884	012665	011139
1 door channel, length as track, cut to size	-54	051650	051650	051655
4 flush bolts				
82 x 35 mm	0-65	049974	○	○
120 x 65 mm	1-65	○	149694	149694
3 to 4 hinges per leaf with ball bearing rings supplied by customer				
For side-fixing				
1 side-fixing bracket per 700 mm track length (in fold area per 350 mm)	-10	020701	012686	011554

● = yes, ○ = no

Summary of fittings for 5-leaf and multi-leaf fitting systems on request



### Ordering information

GEZE APOLL centre-folding door gear Size .....,  
 No. of full leaves .....,  
 (+1/2 leaf per folding side),  
 Folding to right (left),  
 block frame clearance height and weight (H, B)  
 Side-fixing (or soffit-fixing)

# GEZE APOLL ROLLER-GUIDED GEARS FOR SLIDING DOORS

## GEZE Apoll for end-folding and centre-folding doors – Accessories

### Single roller with pivot bearing

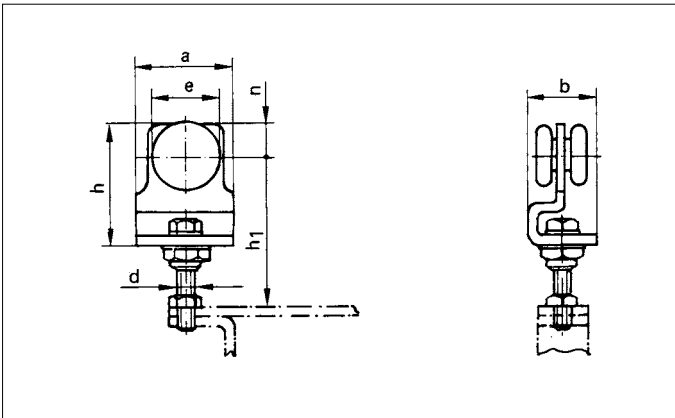


Fig. 33-1

	Size 0	Size 1	Size 2
Des.	0-32	1-32	2-32
a	50	65	85
b	35	48	68
h	58	80	104
n	13	21	25
e	32	42	56
d	M 10	M 12	M 16
h1	66-83	83-101	106-129
kg (weight)	0,27	0,68	1,5
Load	max. 50 kg	max. 100 kg	max. 200 kg
ID No.	050996	051021	049961

### Double roller with pivot bearing

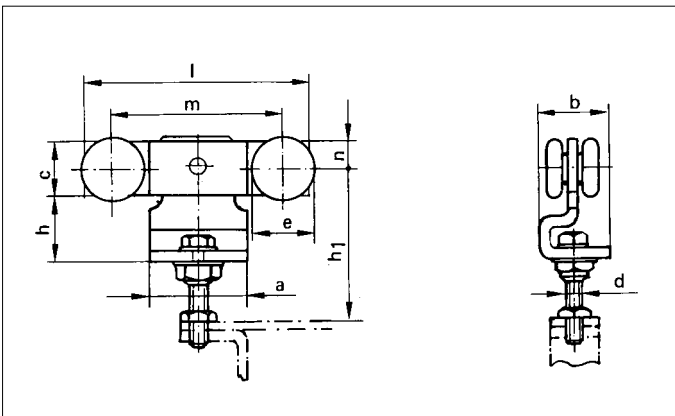


Fig. 33-2

	Size 0	Size 1	Size 2
Des.	0-33	1-33	2-33
a	50	65	85
b	35	48	68
l	100	150	190
m	80	114	140
h	32	42	56
c	26	37	48
e	32	42	56
d	M 10	M 12	M 16
n	13	20	25
h1	66-83	83-101	106-129
kg (weight)	0,57	1,28	2,8
Load	max. 100 kg	max. 200 kg	max. 300 kg
ID No.	050996	051021	049961

### Pivot bearings, loose

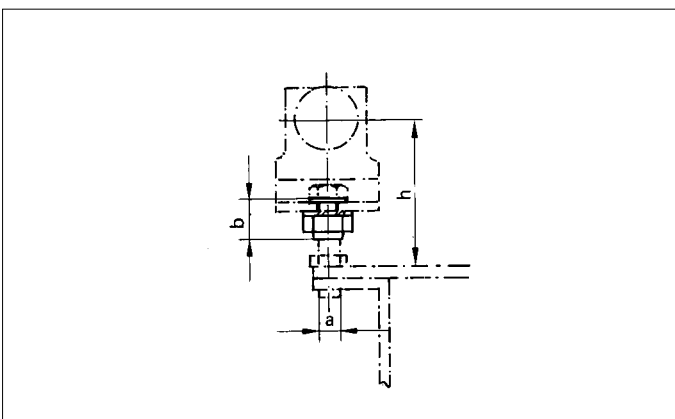


Fig. 33-3

	Size 0	Size 1	Size 2
Des.	0-34	1-34	2-34
a	M 16 x1,5	M 20 x 2	M 24 x 2
b	22	25	30
h	66-83	83-101	106-129
kg (weight)	0,07	0,08	0,1
ID No.	050998	049951	049963

# GEZE APOLL ROLLER-GUIDED GEARS FOR SLIDING DOORS

## GEZE Apoll for end-folding and centre-folding doors – Accessories

### Double roller with pivot bearing, reduced version

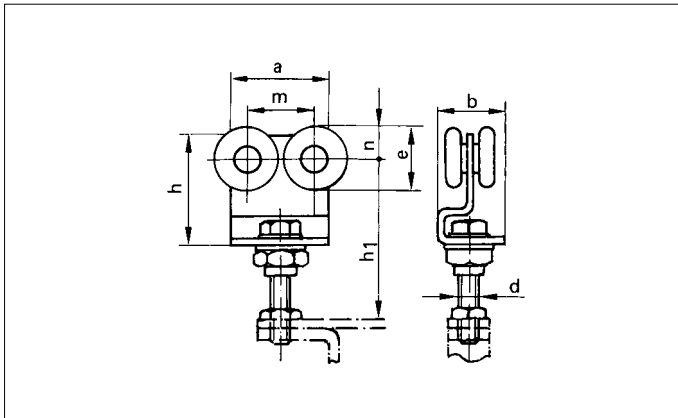


Fig. 34-1

	Size 0	Size 1
Des.	0-35	1-35
Door thickness	< 40	< 60
a	50	65
b	35	48
m	34	45
h	58	80
e	32	42
d	M 10	M 12
n	13	20
h1	66-83	83-101
kg (weight)	0,35	0,9
Load	max. 100 kg	max. 200 kg
ID No.	054044	054052



# GEZE APOLL ROLLER-GUIDED GEARS FOR SLIDING DOORS

## GEZE Apoll for end-folding and centre-folding doors – Accessories

### Edge-fixing hanger, pivot point 18, 20, 30 mm

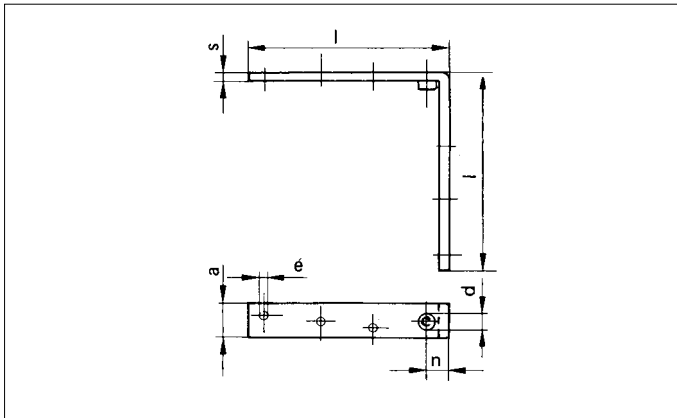


Fig. 35-1

	Size 0	Size 1
Des.	0-41	1-41
l	100	180
a	22	30
s	5	6
n	18	20
d	M 10	M 12
e	6,4	8,4
No. of fixing holes	4	6
kg (weight)	0,2	0,5
ID No.	018801	012661

### Edge-fixing hanger, pivot point 60, 90, 100 mm

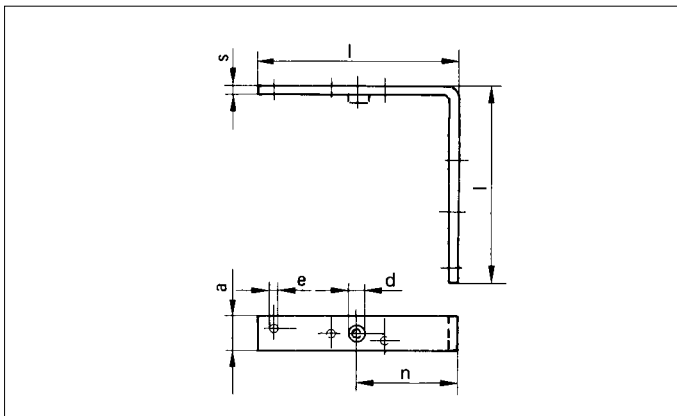


Fig. 35-2

	Size 0	Size 1
Des.	0-42	1-42
l	110	180
a	22	30
s	5	6
n	60	90
d	M 10	M 12
e	6,4	8,4
No. of fixing holes	4	6
kg (weight)	0,2	0,5
ID No.	019019	012663

### Edge-fixing hanger for end-folding doors

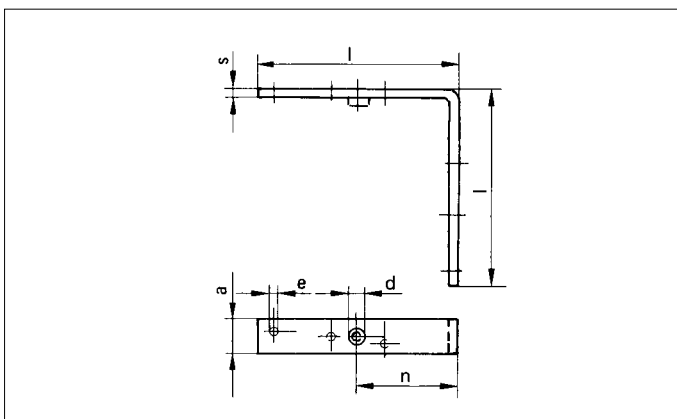


Fig. 35-3

	Size 0	Size 1
Des.	0-44	1-44
a	110	180
b	147	225
c	22	30
s	5	6
e	ø 6,4	ø 8,4
f	25	32
l	110	180
No. of fixing holes	4	6
kg (weight)	0,25	0,6
ID No.	050994	051012

# GEZE APOLL ROLLER-GUIDED GEARS FOR SLIDING DOORS

## GEZE Apoll for end-folding and centre-folding doors – Accessories

### Door plate

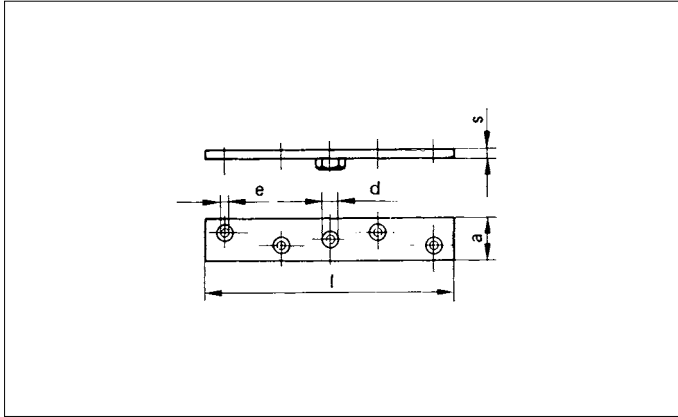


Fig. 36-1

	Size 0	Size 1	Size 2
Des.	0-40	1-40	2-40
l	110	180	220
a	22	30	40
s	5	6	8
d	M 10	M 12	M 16
e	6,4	8,4	8,4
No. of fixing holes	4	6	6
kg (weight)	0,1	0,2	0,5
ID No.	018431	012658	010890

### Double-sided hanger

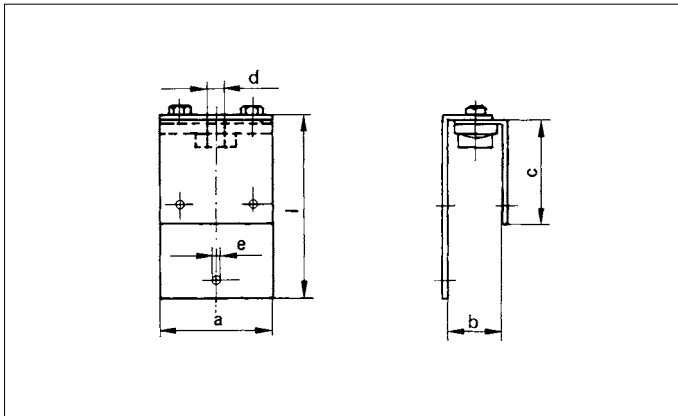


Fig. 36-2

	Size 0	Size 1	Size 1
Des.	0-42	0-42	1-42
a	60	80	80
l	80	128	115
c	80	73	60
d	M 10	M 12	M 12
e	6,5	8,5	8,5
b	22-37	30-46	44-60
kg (weight)	0,2	0,6	0,6
ID No.	019138	012947	012946

### Flat-plate guide roller

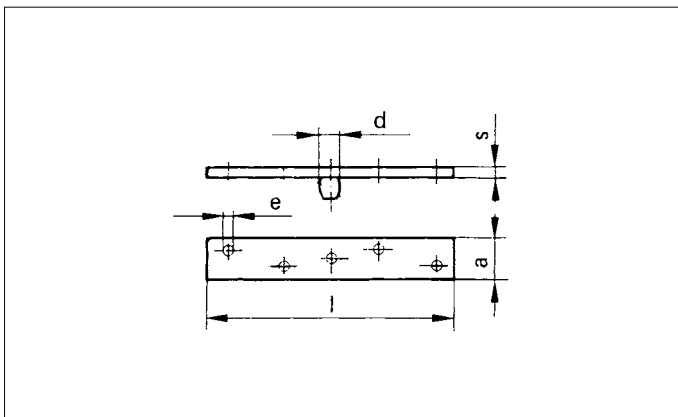


Fig. 36-3

	Size 0	Size 1	Size 1
Des.	0-50	1-50	2-50
l	110	180	220
a	22	30	40
s	5	6	8
d	ø 15,5	ø 15,5	ø 22
e	6,4	8,4	8,4
No. of fixing holes	4	4	6
kg (weight)	0,11	0,3	0,5
ID No.	019884	012665	011139

# GEZE APOLL ROLLER-GUIDED GEARS FOR SLIDING DOORS

## GEZE Apoll for end-folding and centre-folding doors – Accessories

### Edge-fixing guide roller for end-folding doors

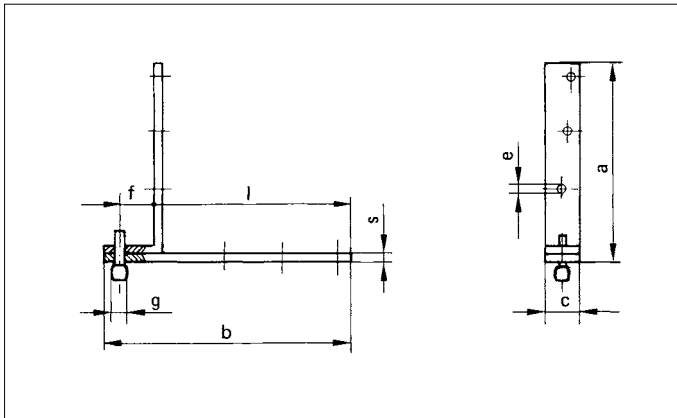


Fig. 37-1

	Size 0	Size 1
Des.	0-53	1-53
a	110	180
b	147	225
c	22	30
s	5	6
e	ø 6,4	ø 8,4
f	25	32
g	ø 15,5	ø 15,5
l	110	180
kg (weight)	0,25	0,6
<b>ID No.</b>	<b>050995</b>	<b>051015</b>

### Floor guide roller, pivot point 18, 20, 30 mm

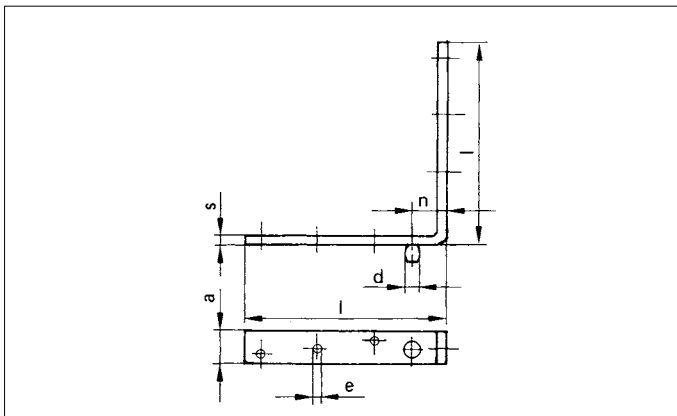


Fig. 37-2

	Size 0	Size 1
Des.	0-51	1-51
a	110	180
c	22	30
s	5	6
n	18	20
d	ø 15,5	ø 15,5
e	6,4	8,4
No. of fixing holes	4	6
kg (weight)	0,2	0,5
<b>ID No.</b>	<b>020404</b>	<b>012946</b>

### Floor guide roller, pivot point 60, 90, 100 mm

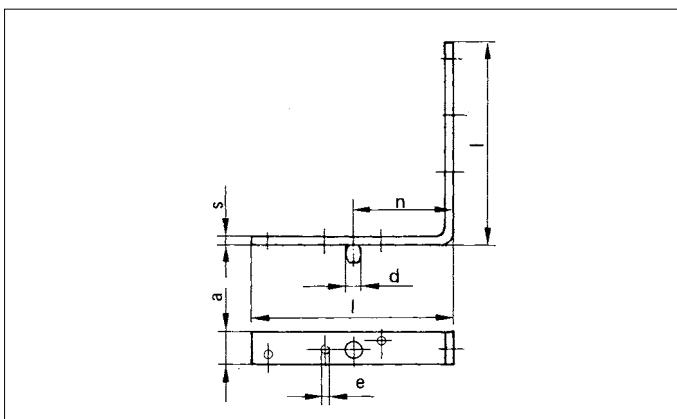


Fig. 37-3

	Size 0	Size 1
Des.	0-52	1-52
a	110	180
c	22	30
s	5	6
n	60	90
d	ø 15,5	ø 15,5
e	6,4	8,4
No. of fixing holes	4	6
kg (weight)	0,2	0,5
<b>ID No.</b>	<b>020522</b>	<b>012672</b>

# GEZE APOLL ROLLER-GUIDED GEARS FOR SLIDING DOORS

## GEZE Apoll for end-folding and centre-folding doors – Accessories

### Flush bolt size 0

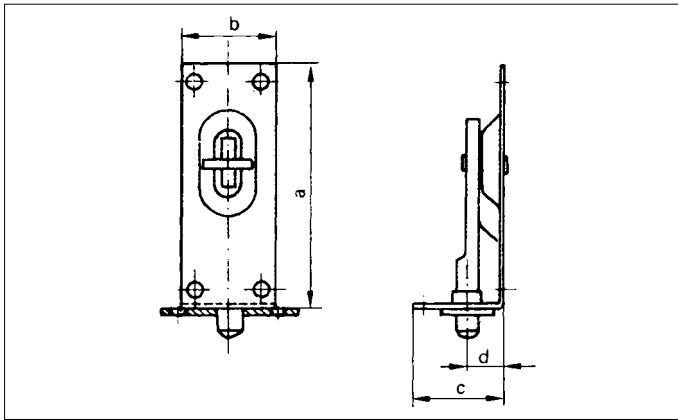


Fig. 38-1

Size 0	
Des.	0-65
a	82
b	35
c	13
d	7
kg (weight)	0,05
<b>ID No.</b>	<b>049974</b>

### Flush bolt size 1

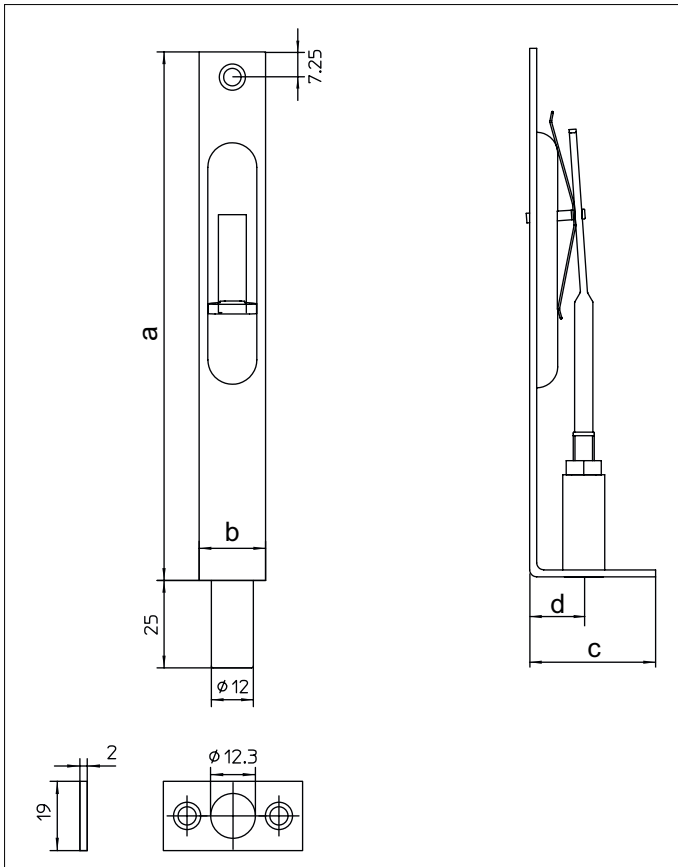


Fig. 38-2

Size 1	
Des.	1-65
a	151
b	19
c	36
d	16
kg (weight)	0,05
<b>ID No.</b>	<b>149694</b>

# GEZE APOLL ROLLER-GUIDED GEARS FOR SLIDING DOORS

## Product information for sliding door gears

In accordance with the definition of the liability of manufacturers for their products set out in paragraph 4 of the "Produkthaftungsgesetz" (German Manufacturer's Liability Law), the following information on sliding door gear should be observed. Failure to do so absolves the manufacturer from liability.

### Product information and use in accordance with intended purpose

Sliding door gear, according to this definition, are fittings for doors and other push-able elements, henceforth called objects, which are not normally moved faster than walking pace. Sliding door gear is used in vertically fitted doors made of wood, plastic, glass, aluminium or steel and appropriate combinations of these materials.

A floor guide is provided at the lower horizontal edge of the door. Special versions of products must be specified for damp rooms, direct exposure to the elements, exposure to cross winds, for installation near the sea and in highly corrosive conditions.

Correct installation by qualified personnel is a particularly important aspect of use for intended purpose. The object must be sufficiently rigid at all of these points. The function of the gear must not be hindered or altered by installation. A buffer must be used in order to limit the displacement path.

### Misuse

Misuse - in other words use in a manner not in accordance with the intended purpose - can be said to occur in the following cases in particular:

- if the gear is used with a higher max. load than specified in the catalogue and in the other product documents,
- if incorrectly installed or attached,
- if ambient temperatures are too high or too low,
- if particularly aggressive media can affect the gear,
- if subjected to inordinately great pushing or pulling loads,
- if the position of the track deviates too greatly from the horizontal,
- if foreign bodies get into the track,
- if the rollers are operated too fast,
- if alterations are carried out without the manufacturer's authorization,
- if obstacles are placed in the opening or between the door or the object thereby preventing intended use,
- if additional loads act upon the door or object,
- if someone is trapped between the door and the door frame while the door is being pushed or closed, or if a person or part of the body is in this area.

### Product Performance

In cases where the performance of the product is not specifically described in the catalogues, brochures, instructions etc., special requirements must be discussed with and agreed by the manufacturer. Our regulations, which affect the composition of the sliding door gear, are binding.

### Product Maintenance

Components of sliding door gear which are relevant to safety must be regularly inspected for proper fixing and signs of wear. Fixing screws are to be re-tightened and faulty components must be replaced. In addition, the following maintenance work must be carried out at least once a year:

- All moving parts are to be tested for free movement.
- In the case of running carriages with metal rollers, the moving parts must be greased (type of grease to be used on request). Plastic rollers must not be greased.
- Only use cleaning agents which do not impair the anti-corrosion protection of the gear.
- Faulty sliding door gears must be replaced.
- Adjustment work on the gears and the replacement must be carried out by qualified personnel.

### Duty of Information and Instructions

The following sources of information are available to planners, specialist dealers, administrative personnel, building contractors and users by way of fulfillment of the duty of information and instruction:

- catalogues, brochures
- descriptions of tender, descriptions of offer
- mounting drawings, installation drawings
- maintenance and operating instructions.

In order to ensure correct use, proper functioning and maintenance and care of sliding door gear,

- architects and planners must request and apply the necessary product information,
- specialist dealers must take account of the product information and notes in the price lists, and in particular must request all necessary instructions and pass these on to the installation personnel,
- installation personnel must take account of all product information, and in particular must request operating and maintenance instructions and pass these on to the ordering party and the user.

### Application for similar fittings

Sliding gear with horizontally installed objects, e.g., drawer guides or gear with vertical runner tracks must be handled according to their respective characteristics with respect to product information, use for intended purpose, misuse, product performance, product maintenance and servicing, and duty of information and instruction.





You will find more product information in the relevant brochures, see ID numbers.

## Door technology

<b>01</b>	Overhead door closers ID 091593, ID 091594
<b>02</b>	Hold-open systems ID 091593, ID 091594
<b>03</b>	Integrated door closers ID 091609
<b>04</b>	Floor springs ID 091607
<b>05</b>	Sliding door gear systems and linear guides ID 123605, ID 008770, ID 000586

## Automatic door systems

<b>06</b>	Swing doors ID 144785
<b>07</b>	Sliding, telescopic and folding doors ID 143639
<b>08</b>	Circular and semi-circular sliding doors ID 135772
<b>09</b>	Revolving doors ID 132050
<b>10</b>	Actuation devices and sensors ID 142655

## Smoke and heat extraction and window technology

<b>11</b>	Fanlight opening systems ID 127787
<b>12</b>	Electric opening and locking systems ID 127785, ID 127789
<b>13</b>	Electrical spindle and linear drives ID 127785, ID 127789
<b>14</b>	Electric chain drives ID 127785, ID 127789
<b>15</b>	Smoke and heat extraction systems ID 127785, ID 139075

## Safety technology

<b>16</b>	Emergency exit systems ID 132408
<b>17</b>	Access control systems ID 132158
<b>18</b>	Panic locks ID 132848
<b>19</b>	Electric strikes ID 148666
<b>20</b>	Building management system ID 132408

## Glass systems

<b>21</b>	Manual sliding wall systems (MSW) ID 104377
<b>22</b>	Integrated all-glass systems (IGG) ID 104366
<b>23</b>	GEZE Patch fittings mono glass systems ID 122521





# POTENTIAL APPLICATIONS OF GEZE PRODUCTS



## Door technology

The functionality, superior performance and reliability of GEZE door closers are impressive. A common design across the range, the ability to use them on all common door leaf widths and weights, and the fact that they can be individually adjusted makes their selection simple. They are continually being improved and enhanced with up-to-date features. For example, the requirements of fire protection and accessibility are fulfilled with a door closer system.

## Automatic door systems

GEZE automatic door systems open up a huge variety of options in door design. The latest, innovative high-performance drive technology, safety, ease of accessibility and first class universal drive design set them apart. GEZE offers complete solutions for individual requirements. A dedicated division is responsible for the development and construction of individual special designs.

## Smoke and heat extraction and window technology

GEZE smoke and heat extraction systems and ventilation technology provide complete systems solutions combining the many requirements of different types of windows. We supply a full range from energy efficient drive systems to natural ventilation and complete solutions for supplying and extracting air, also as certified SHEVs.

## Safety technology

GEZE safety technology sets the standards where preventative fire protection, access control and anti-theft security in emergency exits are concerned. For each of these objectives GEZE offers tailored solutions, which combine the individual safety requirements in one intelligent system and close doors and windows in case of danger in a coordinated manner.

## Building systems

In GEZE's Building Management System GEZE door, window and safety products can be integrated in to the security and control systems of the building. A central control and visualisation system monitors various automation components in the building and offers security through many different networking capabilities.

## Glass systems

GEZE glass systems stand for open and transparent interior design. They can either blend discreetly into the architecture of the building or stand out as an accentuated feature. GEZE offers a wide variety of technologies for functional, reliable and aesthetic sliding wall or sliding door systems providing security with lots of design scope.

**GEZE GmbH**  
**P.O. Box 1363**  
**71226 Leonberg**  
**Germany**

**GEZE GmbH**  
**Reinhold-Vöster-Straße 21-29**  
**71229 Leonberg**  
**Germany**  
**Telefon +49 (0) 7152-203-0**  
**Telefax +49 (0) 7152-203-310**  
**www.geze.com**

**Germany**  
**GEZE Sonderkonstruktionen GmbH**  
 Planken 1  
 97944 Boxberg-Schweigern  
 Tel. +49 (0) 7930-92 94-0  
 Fax +49 (0) 7930-92 94-10  
 sk.de@geze.com

**GEZE GmbH**  
 Niederlassung Süd-West  
 Breitwiesenstraße 8  
 71229 Leonberg  
 Tel. +49 (0) 7152-203-594  
 Fax +49 (0) 7152-203-438  
 leonberg.de@geze.com

**GEZE GmbH**  
 Niederlassung Süd-Ost  
 Parking 17  
 85748 Garching bei München  
 Tel.: +49 (0) 89-120 07 42-50  
 Fax.: +49 (0) 7152-203-77050  
 garching.de@geze.com

**GEZE GmbH**  
 Niederlassung Ost  
 Bühringstraße 8  
 13086 Berlin (Weissensee)  
 Tel. +49 (0) 30-47 89 90-0  
 Fax +49 (0) 30-47 89 90-17  
 berlin.de@geze.com

**GEZE GmbH**  
 Niederlassung Mitte/Luxemburg  
 Adenauerallee 2  
 61440 Oberursel (b. Frankfurt)  
 Tel. +49 (0) 6171-63 610-0  
 Fax +49 (0) 6171-63 610-1  
 frankfurt.de@geze.com

**GEZE GmbH**  
 Niederlassung West  
 Nordsternstraße 65  
 45329 Essen  
 Tel. +49 (0) 201-83 082-0  
 Fax +49 (0) 201-83 082-20  
 essen.de@geze.com

**GEZE GmbH**  
 Niederlassung Nord  
 Haus 11, 1. OG - Theodorstr. 42-90  
 22761 Hamburg-Bahrenfeld  
 Tel. +49 (0) 40-2 19 07 16-27  
 Fax +49 (0) 40-2 19 07 16-28  
 hamburg.de@geze.com

**GEZE Service GmbH**  
 Niederlassung Süd-West  
 Reinhold-Vöster-Straße 25  
 71229 Leonberg  
 Tel. +49 (0) 1802-923392  
 Fax +49 (0) 7152-92 33 63  
 service-leonberg.de@geze.com

**GEZE Service GmbH**  
 Niederlassung Süd  
 Parking 17  
 85748 Garching bei München  
 Tel. +49 (0) 1802-923392  
 Fax +49 (0) 89-120 07 42-60  
 service-muenchen.de@geze.com

**GEZE Service GmbH**  
 Niederlassung Mitte  
 Oberurseler Str. 69  
 61440 Oberursel  
 Tel. +49 (0) 1802-923392  
 Fax +49 (0) 6171-63 327-19  
 service-oberursel.de@geze.com

**GEZE Service GmbH**  
 Niederlassung West  
 Nordsternstraße 65  
 45329 Essen  
 Tel. +49 (0) 1802-923392  
 Fax +49 (0) 201-8 30 82-25  
 service-essen.de@geze.com

**GEZE Service GmbH**  
 Niederlassung Nord-Ost  
 Bühringstraße 8  
 13086 Berlin (Weissensee)  
 Tel. +49 (0) 1802-923392  
 Fax +49 (0) 30-47021733  
 service-berlin.de@geze.com

**GEZE Service GmbH**  
 Niederlassung Nord  
 Theodorstr. 42-90, Haus 11  
 22761 Hamburg  
 Tel. +49 (0) 1802-923392  
 Fax +49 (0) 40-219 07 16-19  
 service-hamburg.de@geze.com

**Austria**  
**GEZE Austria**  
 Wiener Bundesstrasse 85  
 A-5300 Hallwang  
 Tel: +43/6225/87180  
 Fax: +43/6225/87180-299  
 austria.at@geze.com

**Baltic States**  
**GEZE GmbH Baltic States office**  
 Dzelsavas iela 120 S  
 1021 Riga  
 Tel. +371 (0) 67 89 60 35  
 Fax +371 (0) 67 89 60 36  
 office-latvia@geze.com

**Benelux**  
**GEZE Benelux B.V.**  
 Steenoven 36  
 5626 DK Eindhoven  
 Tel. +31 (0) 40-26 290-80  
 Fax +31 (0) 40-26 290-85  
 benelux.nl@geze.com

**Bulgaria**  
**GEZE Bulgaria - Trade**  
 Representative Office  
 Nickolay Haitov 34 str., fl. 1  
 1172 Sofia  
 Tel. +359 (0) 24 70 43 73  
 Fax +359 (0) 24 70 62 62  
 office-bulgaria@geze.com

**China**  
**GEZE Industries (Tianjin) Co., Ltd.**  
 Shuangchenzhong Road  
 Beichen Economic Development  
 Area (BEDA)  
 Tianjin 300400, P.R. China  
 Tel. +86 (0) 22-26 97 39 95-0  
 Fax +86 (0) 22-26 97 27 02  
 sales-info@geze.com.cn

**GEZE Industries (Tianjin) Co., Ltd.**  
 Branch Office Shanghai  
 Unit 25N, Cross Region Plaza  
 No 899, Ling Ling Road,  
 XuHui District  
 200030 Shanghai, P.R. China  
 Tel. +86 (0) 21-523 40 960  
 Fax +86 (0) 21-644 72 007  
 chinasales@geze.com.cn

**GEZE Industries (Tianjin) Co., Ltd.**  
 Branch Office Guangzhou  
 Room 17C3  
 Everbright Bank Building, No.689  
 Tian He Bei Road  
 510630 Guangzhou  
 P.R. China  
 Tel. +86 (0) 20-38 73 18 42  
 Fax +86 (0) 20-38 73 18 34  
 chinasales@geze.com.cn

**GEZE Industries (Tianjin) Co., Ltd**  
 Branch Office Beijing  
 Room 1001, Tower D  
 Sanlitun SOHO  
 No. 8, Gongti North Road,  
 Chaoyang District  
 100027 Beijing, P.R.China  
 Tel. +86 (0) 10-59 35 93 00  
 Fax +86 (0)10-59 35 93 22  
 chinasales@geze.com.cn

**France**  
**GEZE France S.A.R.L.**  
 ZAC de l'Orme Rond  
 RN 19  
 77170 Servon  
 Tel. +33 (0) 1 60 62 60 70  
 Fax +33 (0) 1 60 62 60 71  
 france.fr@geze.com

**Hungary**  
**GEZE Hungary Kft.**  
 Hungary-2051 Biatorbágy  
 Vendel Park  
 Huber u. 1.  
 Tel. +36/23/532-735  
 Fax +36/23/532-738  
 office-hungary@geze.com

**Iberia**  
**GEZE Iberia S.R.L.**  
 Pol. Ind. El Pla  
 C/Comerc, 2-22, Nave 12  
 08980 Sant Feliu de Llobregat  
 (Barcelona)  
 Tel. +34 9-02 19 40 36  
 Fax +34 9-02 19 40 35  
 info@geze.es

**India**  
**GEZE India Private Ltd.**  
 MF 2 & 3, Guindy Industrial Estate  
 Ekkattuthangal  
 Chennai 600 097  
 Tamilnadu  
 Tel. +91 (0) 44 30 61 69 00  
 Fax +91 (0) 44 30 61 69 01  
 office-india@geze.com

**Italy**  
**GEZE Italia S.r.l**  
 Via Giotto, 4  
 20040 Cambiago (MI)  
 Tel. +39 (0) 29 50 695-11  
 Fax +39 (0) 29 50 695-33  
 italia.it@geze.com

**GEZE Engineering Roma S.r.l.**  
 Via Lucrezia Romana, 91  
 00178 Roma  
 Tel. +39 (0) 6-72 65 311  
 Fax +39 (0) 6-72 65 3136  
 roma@geze.biz

**Poland**  
**GEZE Polska Sp.z o.o.**  
 ul. Annapol 21  
 03-236 Warszawa  
 Tel. +48 (0) 22 440 4 440  
 Fax +48 (0) 22 440 4 400  
 geze.pl@geze.com

**Romania**  
**GEZE Romania S.R.L.**  
 IRIDE Business Park,  
 Str. Dimitrie Pompeiu nr. 9-9a,  
 Building 10, Level 2, Sector 2,  
 020335 Bucharest  
 Tel.: +40 (0) 21 25 07 750  
 Fax: +40 (0) 21 25 07 750  
 office-romania@geze.com

**Russia**  
**OOO GEZE RUS**  
 Gamsonovskiy Per. 2  
 115191 Moskau  
 Tel. +7 (0) 495 933 06 59  
 Fax +7 (0) 495 933 06 74  
 office-russia@geze.com

**Scandinavia - Sweden**  
**GEZE Scandinavia AB**  
 Mallslingan 10  
 Box 7060  
 18711 Täby, Sweden  
 Tel. +46 (0) 8-7323-400  
 Fax +46 (0) 8-7323-499  
 sverige.se@geze.com

**Scandinavia - Norway**  
**GEZE Scandinavia AB avd. Norge**  
 Industriveien 34 B  
 2073 Dal  
 Tel. +47 (0) 639-57 200  
 Fax +47 (0) 639-57 173  
 norge.se@geze.com

**Scandinavia - Finland**  
**Branch office of GEZE Scandinavia AB**  
 Herralantie 824  
 Postbox 20  
 15871 Hollola  
 Tel. +358 (0) 10-40 05 100  
 Fax +358 (0) 10-40 05 120  
 finland.se@geze.com

**Scandinavia - Denmark**  
**GEZE Danmark**  
 Branch office of GEZE Scandinavia AB  
 Mårkærvej 13 J-K  
 2630 Taastrup  
 Tel. +45 (0) 46-32 33 24  
 Fax +45 (0) 46-32 33 26  
 danmark.se@geze.com

**Singapore**  
**GEZE (Asia Pacific) Pte. Ltd.**  
 21 Bukit Batok Crescent  
 #23-75 Wcega Tower  
 Singapore 658065  
 Tel. +65 6846 1338  
 Fax: +65 6846 9353  
 gezesea@geze.com.sg

**South Africa**  
**GEZE Distributors (Pty) Ltd.**  
 118 Richards Drive, Halfway House,  
 Ext 111, P.O. Box 7934, Midrand 1685,  
 South Africa  
 Tel: + 27 (0) 113 158 286  
 Fax: + 27 (0) 113158261  
 info@gezesa.co.za

**Switzerland**  
**GEZE Schweiz AG**  
 Bodenackerstrasse 79  
 4657 Dulliken  
 Tel. +41 (0) 62 285 54 00  
 Fax +41 (0) 62 285 54 01  
 schweiz.ch@geze.com

**Turkey**  
**GEZE Kapı ve Pencere Sistemleri**  
 San. ve Tic. Ltd. Şti.  
 Ataşehir Bulvarı, Ata 2/3  
 Plaza Kat: 9 D: 84 Ataşehir  
 Ataşehir / İstanbul  
 Tel. + 90 (0) 216 455 43 15  
 Fax + 90 (0) 216 455 82 15  
 office-turkey@geze.com

**Ukraine**  
**GEZE Ukraine TOV**  
 ul. Viskoznaya, 17,  
 Building 93-B, Office 12  
 02660 Kiev  
 Tel./Fax +38 (0) 44 501 22 25  
 office-ukraine@geze.com

**United Arab Emirates/GCC**  
**GEZE Middle East**  
 P.O. Box 17903  
 Jebel Ali Free Zone  
 Dubai  
 Tel. +971 (0) 4-88 33 112  
 Fax +971 (0) 4-88 33 240  
 geze@emirates.net.ae

**United Kingdom**  
**GEZE UK Ltd.**  
 Blenheim Way  
 Fradley Park  
 Lichfield  
 Staffordshire WS13 8SY  
 Tel. +44 (0) 1543 44 30 00  
 Fax +44 (0) 1543 44 30 01  
 info.uk@geze.com

GEZE REPRESENTATIVE