

# Techno-Mix Sanitary Fzco



Techno-Mix Faucets & Bathroom Accessories ISO9001 Certified



LEED®



Green Building Catalogue  
2009-2010

# INDEX



Profile  
01

03 IKK Group

Introducing of LEED®  
05

07 Techno-mix® Technical Specification

- Faucet Aerators.....09
- Connecting Hoses.....11
- Chromalux® shower Hoses.....13
- European Standards.....15
- Australian Standards.....16

Techno-Water Fall Line  
23

33 Techno-Thermo Line

- ACS Certificate.....34
- Nova Series.....35
- Century Series.....41
- Eili Series.....47

Techno-Tronic Line  
55..... Sensor Faucets  
56..... Sensor Soap Dispenser  
56..... Sensor Hand Dryer  
57..... Sensor Flusher  
58..... Delay Tap  
53

Techno-Single Lever Line

- 59
- Gallant Series.....60
  - Serena Series.....69
  - Nova Series.....79
  - Oscil Series.....89
  - Century Series.....93
  - Comfort Series.....109
  - Smart Series.....111
  - Caesar Series.....117
  - Milano Series.....119

# INDEX

## Techno-Dual Handles Line And Deck Mounted Bath Line

121

- 122.....Gallant Series
- 123.....Serena Series
- 125.....Nova Series
- 129.....Century Series
- 133.....Eili Series
- 139.....Elegant Series
- 141.....Calibro Series

## Techno-Slide Rail Sets

143

## Techno- Rain & Hand Shower Sets

- 148.....Rain Showers
- 151.....Rain Shower Sets
- 152.....Shower Spouts
- 153.....Shower Arm
- 154.....Hand Shower Sets
- 156.....Hand Shower
- 157.....Shower Rose
- 158.....Holders & Others
- 159.....Connectors,Hoses And Tubes

147

## Techno- Kitchen Line

161

- Techno- Kitchen Line.....163
- Techno-Cold Water Taps.....165
- Techno- Valve.....171
- Techno-Hoses, Bottle Traps & Pop-ups.....173

## Techno- Bathroom Accessories

- 177.....Lynn Series
- 180.....Sofija Series
- 185.....Ankara Series
- 188.....Oron Series
- 190.....Square Series
- 191.....Floren Series
- 193.....Trio Series
- 194.....Ono Series
- 195.....Floral Series
- 197.....Project Series
- 198.....Bathroom Racks

177

199

## Techno-Hotel Supplies

- Techno Hotel Supplies..... 200
- Paper Holder.....201
- Shaving Mirrors.....206
- Stainless Steel Soap Dispenser.....207
- Hotel and Commercial Items..... 208
- Tissue Dispenser.....209
- Paper Dispenser and Waste Receptacle.....211
- Disabled Bathroom Articles..... 213
- Anti-Fog Mirrors.....216





Profile

Water is the most important natural resource available to mankind today, and is rapidly becoming limited, which makes saving water absolutely critical to the future of our environment. At Techno-Mix Sanitary FZCO, we are totally dedicated to preserving water and believe in following sustainable water policies. Across the world, saving water is becoming a major concern, not simply in the arid regions of the planet, but elsewhere too. Techno-Mix has been at the forefront of this key issue since 2003, having foreseen the problem with depleting water resources and has taken the lead in finding ways to cut water consumption.

Techno-Mix was established in the Jebel Ali Free Zone, Dubai in 2003 by the IKK Group of Companies. Since then, Techno-Mix Sanitary FZCO, backed by the strong IKK Group, has become a leading professional supplier of bathroom and kitchen products that help to save water, all delivered in high quality, and stylish designs.

The range of products, both manufactured and distributed by Techno-Mix Sanitary FZCO, offer full and perfect bathroom solutions, including single and double handle mixers, taps, faucets for bathrooms and kitchens; complete bathroom sanitary-ware sets; shower rooms, steam and sauna rooms; normal and massage bathtubs as well as various stylish accessories to complete the perfect bathroom.

Techno-Mix Sanitary FZCO is dedicated to continuous product development to bring products of the finest quality to its clients. The research programmes that are in place drive the products to not only meet but exceed international standards wherever possible. The testing processes are rigorous; on the raw material as well as on the final products, and carried out regularly, to ensure product quality of the highest standard. All testing is done in-house at the Group's quality control laboratories, all of which are fully equipped to implement test procedures in line with international standards.





## Techno-Mix Vision

Our vision is not only to conserve and protect the vital natural resource of fresh water through the use of our products, but also to help encourage and increase public awareness about water conservation. Techno-Mix has adopted the Techno-Green Building drive to provide people with the fundamental knowledge of saving water techniques. In addition, as a member of the U.S. Green Building Council, Techno-Mix also meets the requirements of (LEED) the Leadership in Energy and Environmental Design, Green Building Rating System.

Techno-Mix has achieved its vision by working in collaboration with the world's best designers, architects, suppliers and intelligent components manufacturers, with 'TUV', 'NSF', 'WATERMARK', 'ACS', 'WRAS', 'CSTB', 'KIWA' Quality Assurance and Certificates. This, combined with the high-level of quality

## Techno-Mix Mission

Techno-Mix has a mission to redefine the bathroom as a comfortable, well-designed living space while achieving 40-60 percent of water savings compared to conventional buildings of the same size.

This mission is already well underway, with our valued clientele list including customers such as contracting companies, chain of international hotels, reliable and authorized distributors. Our products have been installed in residential properties and other projects such as hotels, residential and office towers, residential buildings, villas, and apartments. The strategic and convenient location of the company in Dubai's Jebel Ali Free Zone enables Techno-Mix to dispatch products promptly to its main markets across the GCC, Middle East, North Africa, USA and Europe. The location also offers Techno-Mix the opportunity to deliver outstanding



## IKK Group's Vision

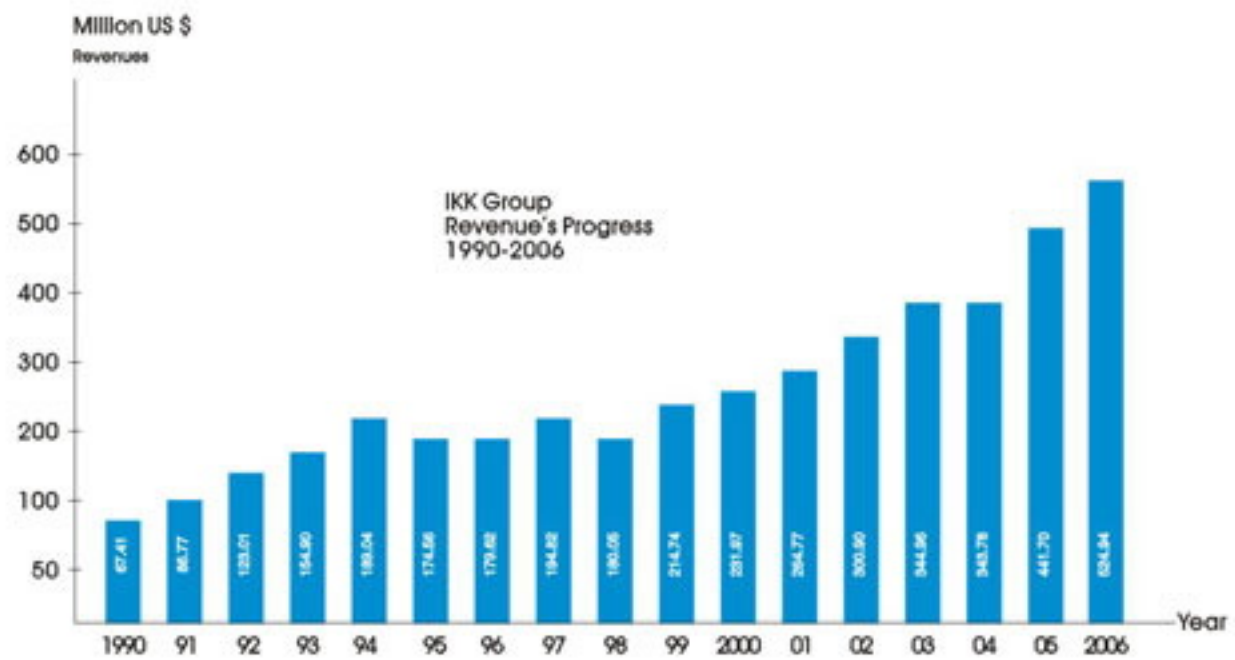
IKK's vision is to remain a major, well-organized and well-diversified business in the construction, industrial and trading sectors across the Middle East. Our aim is to continue the expansion and growth of the business.

The group is developing rapidly with a growth in revenue at the rate of 20-25 percent per annum, which will make IKK a SAR 6 billion conglomerate in four to five years.

Part of the vision is to see the five largest companies in the group form a holding company that will go through an initial public

### IKK Group's Sales Progress

A growth in revenue from US \$67.4 million



### IKK Group's Rank

IKK ranked high among the top 100 Saudi companies between 2002 and 2006.



techno mix







## Introducing of LEED® The rating system of The U.S. Green Building Council

The Leadership in Energy and Environment Design (LEED) Green Building Rating System is a voluntary, but nationally accepted benchmark for the design, construction, and operation of high performance green building in the U.S.

LEED provided a comprehensive rating system for building owners and operators covering all aspects of green building design and construction within six major categories including sustainable site development, water saving, energy efficiency, material selection and indoor environmental quality.

The U.S Green Building Council was accredited as an official Standards Developing Organization by the American National Standards Institute (ANSI).

Techno-Mix, as a member of U.S. Green Building Council, help LEED projects within the categories of water



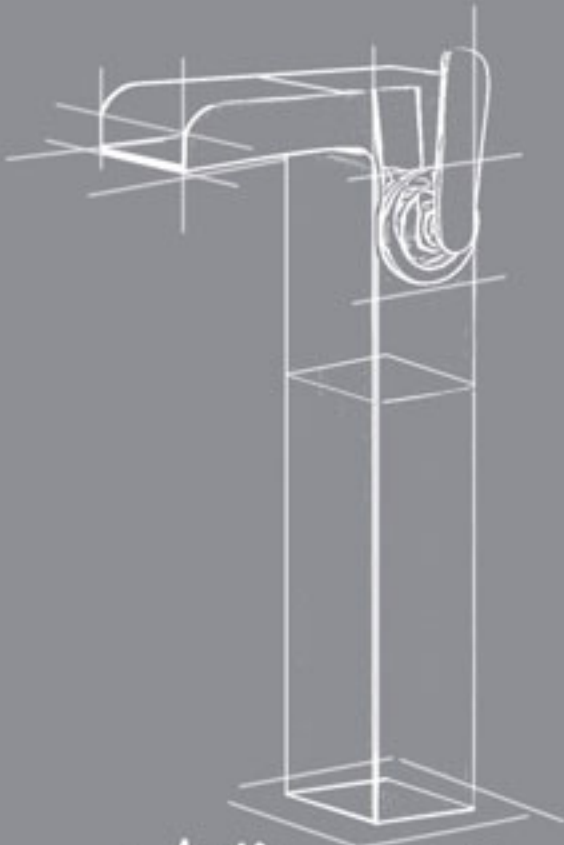
LEED®



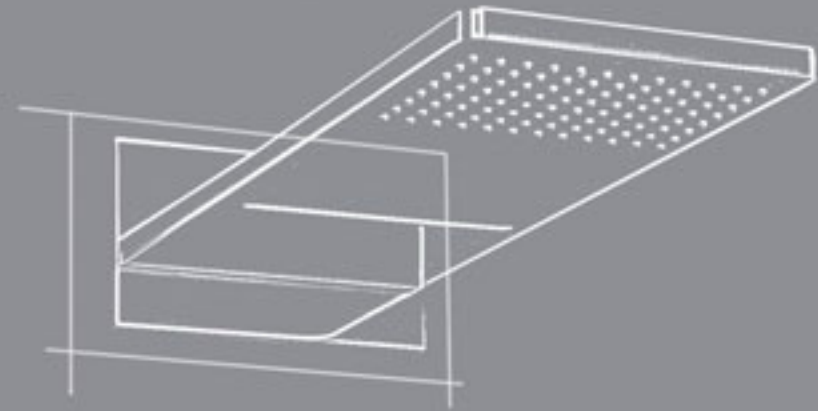
*"The LEED® (Leadership in Energy and Environmental Design) Green Building Rating System is the nationally accepted benchmark for the design, construction, and operation of high performance green buildings."*

*"The 'USGBC Member Logo' is a trademark owned by the U.S. Green Building Council and is used by permission. The logo signifies only that TECHNO-MIX® Sanitary FZCO is a USGBC member; USGBC does not review, certify, or endorse the products or services offered by its members."*

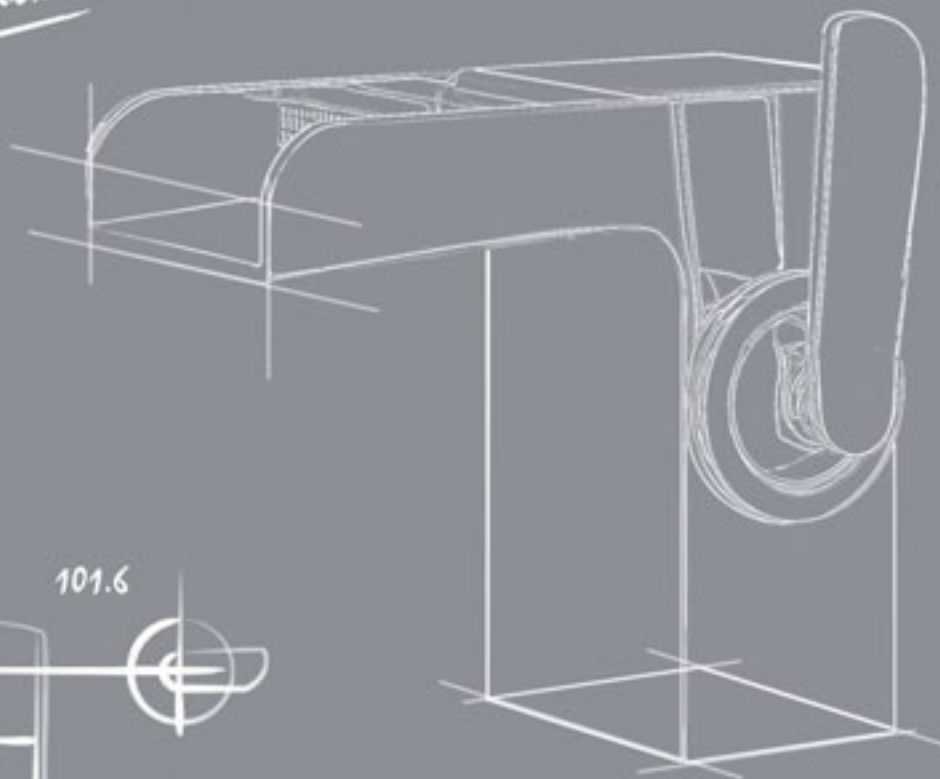
# Techno-Mix Technical Data



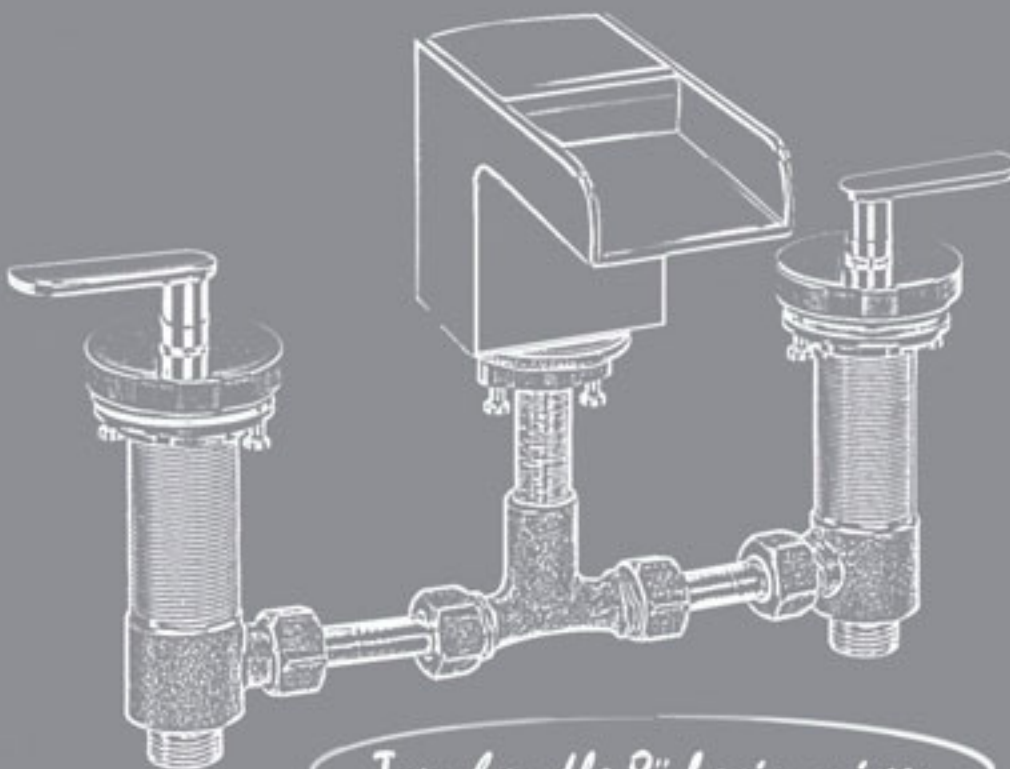
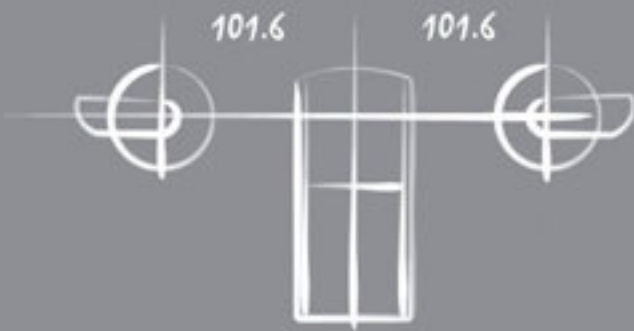
*Single lever monobloc basin mixer*



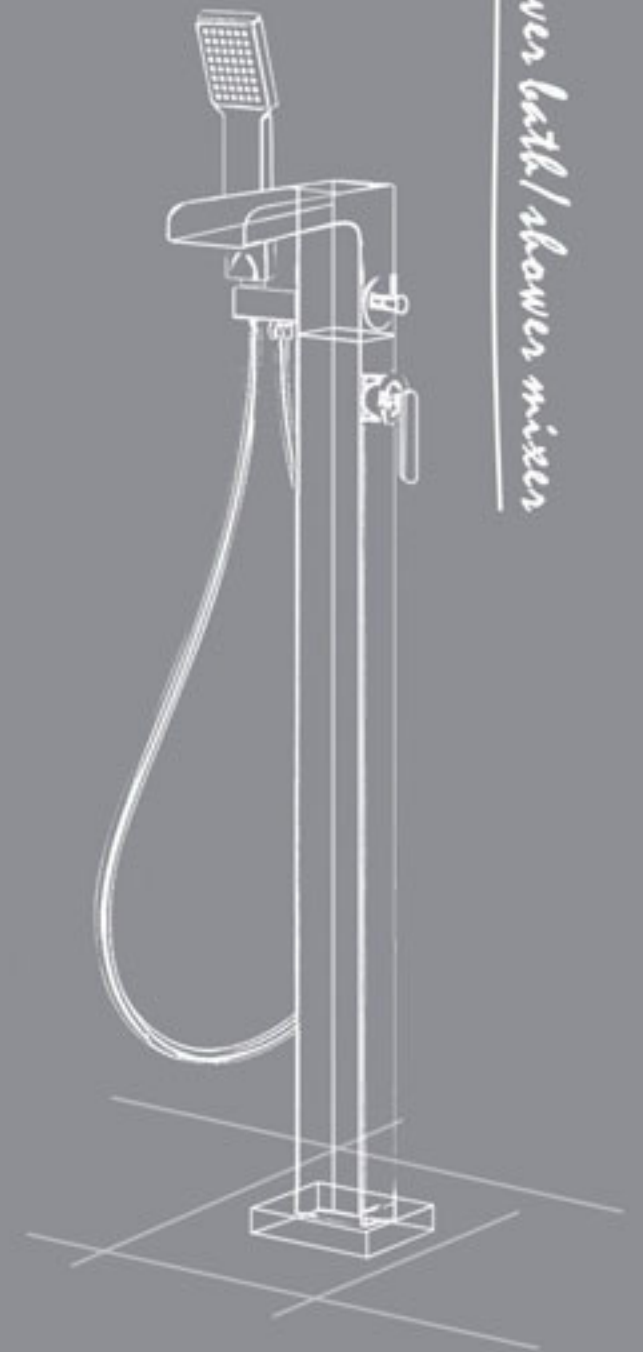
*Rain Shower*



*Single lever bath/shower mixer*



*Two-handle 8" basin mixer*



## NEOPERL<sup>®(1)</sup> Components applied by Techno-Mix<sup>®</sup>:

Techno-Mix<sup>®</sup> is applying the advanced NEOPERL<sup>®</sup> innovative solutions in drinking water's technology. Techno-Mix<sup>®</sup> faucets supplied with NEOPERL<sup>®</sup> products shape water streams, regulate flow rates and protect water from contamination.



### Faucet Aerators

For the use in bathroom and kitchen



### Flow Regulators

A flow regulator is a component which maintains a predefined constant flow rate independent of the prevailing line



### Check valves

A check valve is a safety valve which permits water to merely flow in one direction and prevents unwanted backflow of water in the opposite direction. It is also referred to as non-return valve. Without a check valve



### Connecting Hoses

Essential accessory in domestic



### Shower Hoses

High quality, universal shower hoses in various colors.



flow, stop and go<sup>®</sup>

(1) NEOPERL<sup>®</sup> is a Swiss brand which is engineered and produced in Germany.



FAUCET AERATORS  
 Made by NEOPERL® in Germany  
 Used in Techno-Mix® Faucets.

**NEOPERL®**

flow, stop and go®

The aerator is a key component in the overall performance of the faucet. Here is how you should expect your aerator to perform, when using Techno-Mix® faucets equipped with

- control the stream straightness and diameter
- reduce splash by aerating the stream and eliminating side spray
- save water and reduce energy costs
- meet local plumbing codes and standards

### STREAM PATTERNS



#### AERATED STREAM

Aerators introduce air into the water stream to produce a larger and whiter stream soft to the touch and non-splashing. Techno-Mix® mixers are supplied with this kind of aerator as they are the ideal choice for residential faucet



#### LAMINAR STREAM

Laminar stream straighteners produce a non-aerated water stream. Ideal for high flow applications or health care facilities (no mix water/air) Techno-Mix® is using NEOPERL® laminar spout-end devices to deliver a crystal clear and non-splashing stream.



#### SPRAY

When the flow rate is too low to produce an aerated or laminar stream, Techno-Mix® is inserting a spray device to produce a miniature shower pattern to provide full coverage of the hands during washing. Sprays are recommended for

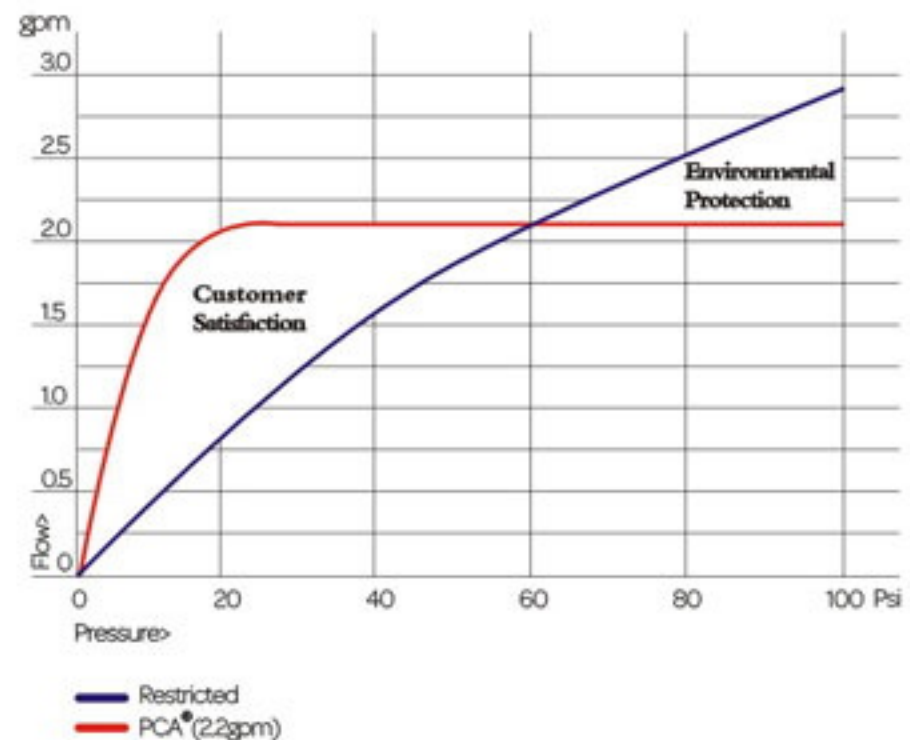


Techno-Mix® is using also WATER SAVING Aerators with pressure compensating flow regulator from NEOPERL® type (PCA)

With standard aerator the flow rate goes up as the pressure increases, but with Techno-Mix adopted aerator from NEOPERL, NEOPERL® PCA® technology, the pressure compensating flow regulator produces by means of the o-ring

The fields of application for such technology include:

- markets with a standard defining the maximum flow rate
- water conservation
- plumbing systems where an even distribution of



Different types of Aerator Made by NEOPERL® in Germany and adopted by Techno-Mix®

**PERLATOR® HONEYCOMB Aerator**



Improved lime protection: integrated HONEYCOMB structure replaces conventional wire mesh screens prone to lime buildup; extended life; perfect stream quality even under difficult flow conditions; very low noise level; damage proof: unlike conventional wire mesh screens, the HONEYCOMB structure can

**CASCADE® Aerator**



Superior lime protection; extended life; perfect stream quality even under difficult flow conditions; very low noise level; damage proof: unlike conventional wire mesh screens, the CASCADE® structure can not be crushed; integrated anti-clogging dome screen filters

Aerators with special features supplied in Techno-Mix® Faucets, against special requirements:



**CASCADE®SLC Aerator- Smart Lime Cleaning function**

CASCADE® SLC aerator is a long lifetime of maximum lime resistance product. The reason for the outstanding qualities in terms of lime resistance and durability is the special feature Smart Lime Cleaning (S.L.C.). When using CASCADE® SLC aerators lime deposits can be easily rubbed off thanks to a soft elastomer layer. The water-jet instantly becomes splash-free again. Consequently, there is no need to disassemble the aerator for cleaning



**AC Aerator- Auto Clean feature**

The AC (auto-clean) aerator with its auto-cleaning feature flushes out sediments and particles up to 0.7mm even after a long period of use with no changes in stream pattern or flow rate; no need to disassemble the aerator to remove debris from the dome screen; a perfect stream quality



**SSR Aerator- with adjustable stream direction**

The angle of the water stream can be adjusted directly at the aerator simply by moving the adjustable filling plate. Sometimes when a faucet is installed with a wash basin, the faucet stream direction is less than optimum



Due to its excellent hygienic characteristics, PEX has been used for many years in the markets where EPDM material is not allowed for use in drinking water applications, e.g. in Scandinavia and Japan. TECHNO-MIX® faucets are supplied with either the NEOFLEX® SPX hoses or NEOFLEX® MLT hoses (Multi-Layer Technology) which are utilizing an advance PEX material that is significantly more flexible than standard PEX hoses.

These hoses meet all existing mechanical and hygienic



CONNECTING HOSES  
Made by NEOPERL® in Germany  
Used in Techno-Mix® Faucets.



flow, stop and go®

Techno-Mix are using NEOFLEX® special hoses made in Germany by NEOPERL® to secure the

- Excellent hygienic properties (Microbiologically pure, no taste, or smell transferred to the water)
- Excellent pressure resistance
- High flexibility (SOFTPEX® inner hoses used for the NEOFLEX® SPX are by far more flexible than conventional FEX)
- Improved chemical resistance (The inner hose resists against chlorine and chloramine additives to the drinking water)
- International Approvals (One hose material (SOFTPEX®) designed to meet all relevant international standards)

#### Design



**Braiding**  
Stainless steel

Inner hose  
SOFTPEX®



**RANGE OF SHOWER HOSES**

TECHNO-MIX® are using many of the NEOPERL® wide range of shower hoses. These flexible hoses fulfill the requirements of EN1113, which includes different durability tests for shower hoses. With a large range of colors, surfaces and fittings, the NEOPERL® shower hose collection offers many innovating design choices.





CHROMALUX® SHOWER HOSES  
MADE BY NEOPERL® IN GERMANY  
USED IN TECHNO-MIX® FAUCETS.

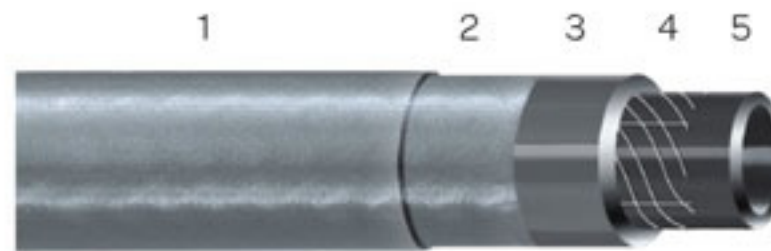


Techno-Mix® are using different NEOPERL® shower hoses as these flexible hoses are fulfilling the requirements of EN 1113, which includes different durability tests for shower hoses.

With a large range of colors and fittings, the Techno-Mix mixers supplied with NEOPERL® shower hose collection offers many innovative design choices, and include the following main features:

- Smooth, soft and flexible shower hose with stunning appearance
- Easy to clean
- Anti-liming coating
- High tensile strength due to special crimping process fulfills EN1113 standards (functional/durability test) with hose
- certified according to KTW, ACS, ETA

#### Design



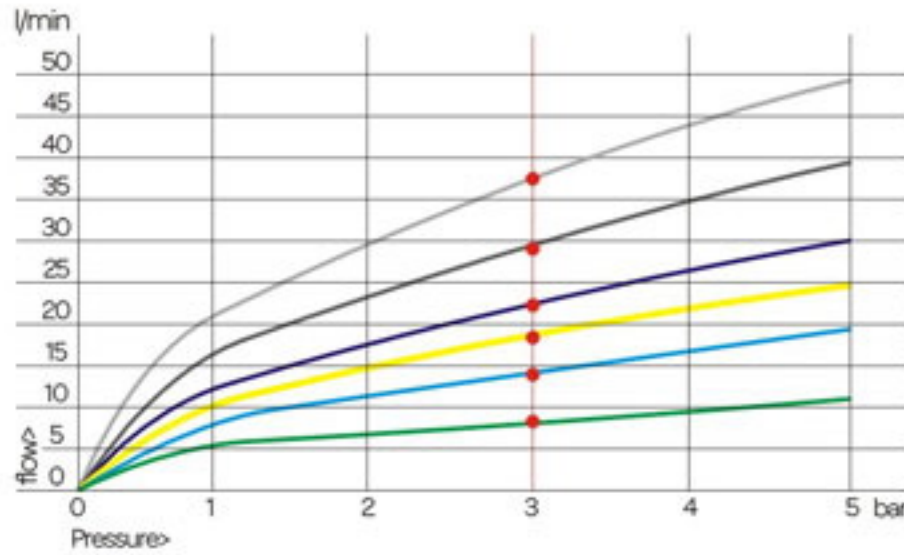
- |                   |                     |                  |                                    |                   |
|-------------------|---------------------|------------------|------------------------------------|-------------------|
| 1                 | 2                   | 3                | 4                                  | 5                 |
| <b>Outer hose</b> | <b>Colored foil</b> | <b>PVC Layer</b> | <b>Reinforcement</b>               | <b>Inner hose</b> |
| Transparent PVC   |                     |                  | Longitudinal and crosslinked wires | PVC               |

Different colors on request.

## Requirements On Flow Rate And Noise Reduction

The requirements for faucet attachments with or without aeration are described in the European standard EN 246 Sanitary tapware - General

specifications for flow rate regulators. To comply with this standard, faucet attachments have to meet the requirements of the Acoustic group 1 which

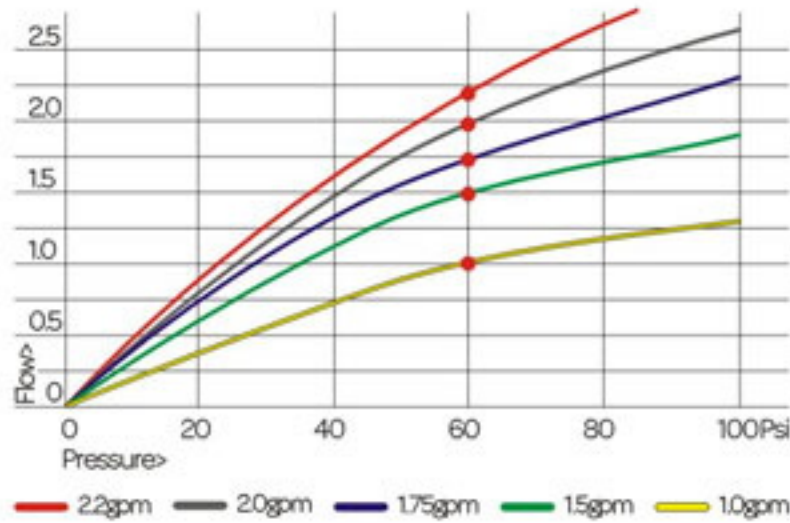


Flow rate class	Flow rate range per l/min	Dynamic pressure
Z	75-90 l/min	3bar
A	13.5-15.0 l/min	3bar
S	18.0-19.8 l/min	3bar
B	22.8-25.2 l/min	3bar
C	27-30 l/min	3bar
D	34.8-17.8 l/min	3bar

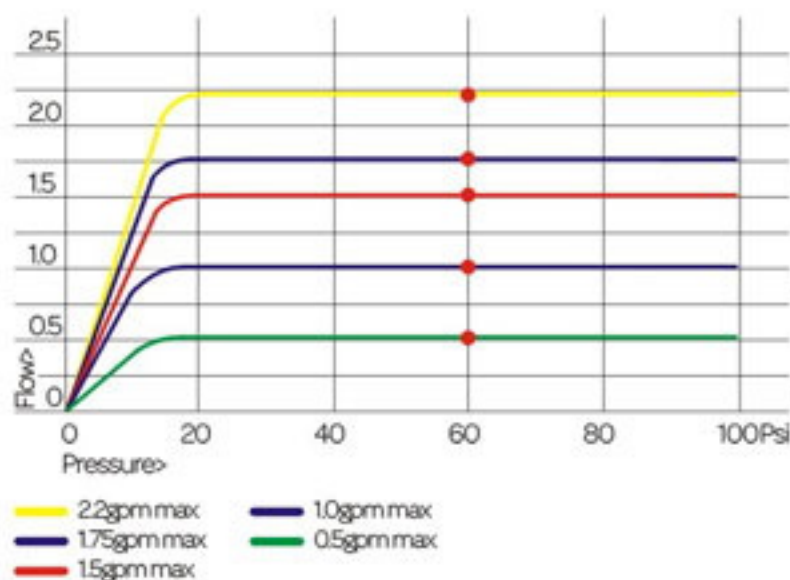
## US STANDARDS:

### Construction, Performance And Endurance

Restricted models



PCA models



**Criteria applicable to faucet aerators and attachments include:**

- Toxicity evaluation: compliance with ANSI/NSF 61
- Requirements for plating adhesion and corrosion resistance (ASTM B456)
- Maximum working temperature and pressure conditions: 160°F (70°C) and 125 psi (8.6 bar)

Flow rate class USA (A 112.18.1 M)	Maximum flow rate in gpm	Dynamic pressure measured at
Lavatory/Sink faucet	Max. 2.2gpm (8.3 l/min)	60 psi (4.14 bar)
Shower head	Max. 2.5gpm (9.5 l/min)	80 psi (5.52 bar)
Public lavatory faucet	Max. 0.5gpm (1.9 l/min)	60 psi (4.14 bar)
Metering faucet	Max. 0.25gpc (0.95 l/cycle)	60 psi (4.14 bar)

Specific products used by TECHNO-MIX® from NEOFERL® are listed with ASME A112.18.1M of IAPMO and CSA B125.1 of CSA International.

NEOFERL® product listing with A112.18.1M and CSA B125.1 are available at

#### Compatibility with drinking water ANSI/NSF61

ANSI/NSF61 (Drinking Water System Components Health Effects) was developed to establish minimum requirements for the control of potential adverse human health effects from products in contact with drinking water. The tests include level of lead and other regulated metals, organic contaminants and solvents.

TECHNO-MIX® Faucets using NEOFERL® products are listed with NSF. NEOFERL®

# AUSTRALIAN STANDARDS



## NEOPERL® flow controller

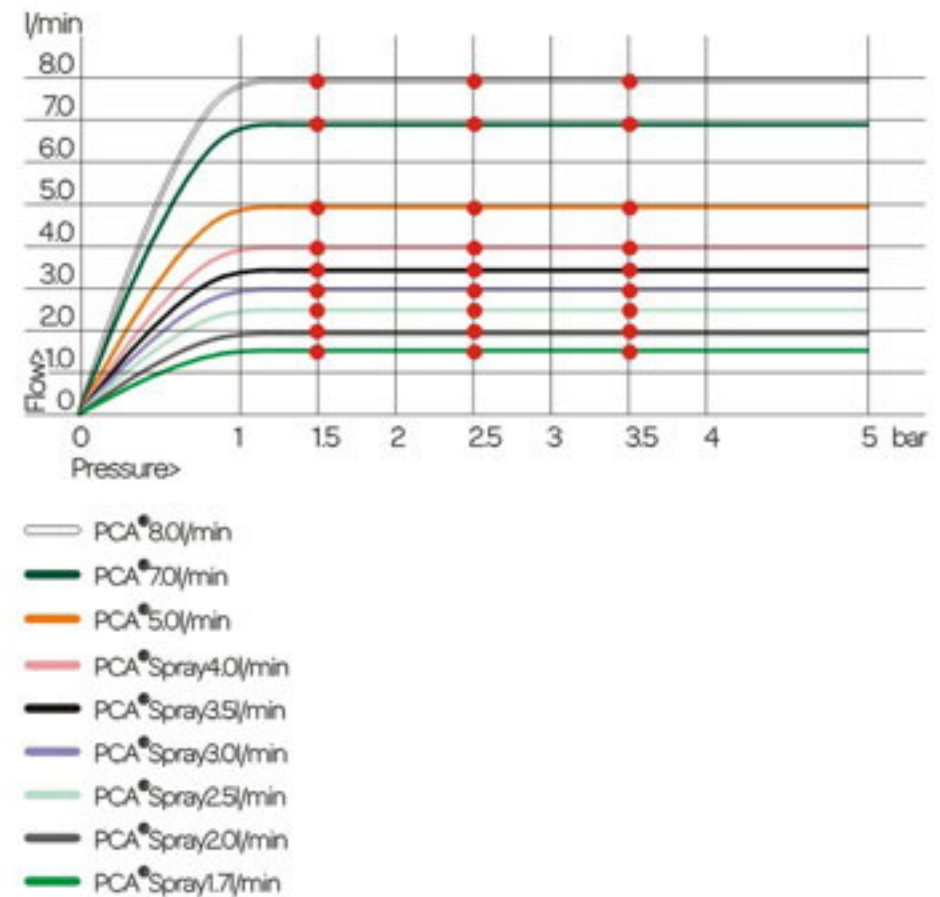


## AS/NZS 6400: Water Efficient Products

This standard specifies the procedure for water-efficient products which are intended for connection supplies, to be appropriately rated relative to specified criteria. All products covered by the WELS Scheme have to be tested according to specific requirements stated in referenced product standards.

## WELS

The Water Efficiency Labeling and Standards (WELS) Scheme will help to address the issue of high domestic water consumption by providing nationally consistent water efficiency information to consumers at point of purchase and by encouraging manufacturers to design more water-efficient products. The aim of the WELS Scheme is to encourage the uptake of water-efficient products and appliances in domestic and commercial areas while maintaining individual choice and accounting for regional variations in water supply in urban Australia. The Scheme applies to following products: showers, toilets, domestic washing machines, dishwashers, urinals, taps, and flow controllers. A star-rating label, according to AS/NZS6400, gives a quick comparative assessment of a product's water saving efficiency. The more stars



These products are measured as stand alone aerators. Any application and restriction including upstream of the aerator may affect its performance and may affect the test results shown above which have been determined under open flow conditions and which show the results of the manufacturer's testing only under those conditions. The buyer should rely on his own assessment and undertake his own testing determine if the aerator is suitable for the buyers requirements. To the maximum extent permitted by law, the manufacturer makes no warranty or

# 17/18 GLOSSARY

## Aerator

An aerator mixes air into a stream of water in order to smooth the flow of

## Aerator marking

Spout-end devices must bear permanently legible marking A12.18.1M and the flow rate in gpm or

## Air gap

Unobstructed vertical distance between the faucet spout end (aerator) and the flood rim of the sink or lavatory.

## Flow regulator

Pressure compensating flow regulators maintain a constant flow rate regardless in variations of line pressure. Precise flow control improves system performance and in the case of plumbing systems provides comfort of

## GPC

Gallons per cycle.

## Metering faucet

When actuated mechanical or electronic metering faucets dispense water for pre-determined period of time. Combine with a PCA<sup>®</sup> aerator metering faucets deliver a pre-

## Public Lavatory faucet

Faucet installed in non-residential bathrooms exposed to walk-in traffic.

## Stream quality

Factors to consider when comparing stream quality include effective aeration, stream straightness, stream diameter, side splash, and of course

## Restrictor

Refers to a fixed orifice. A restrictor produces higher flow at higher pressure (excess flow) and lower flow at lower pressure (insufficient flow).

## Watercolors<sup>®</sup>

Color coding system of NEOPREL<sup>®</sup> aerators for easy identification of the respective model.

## Psi

Pounds per square inch  
1 psi = 0.06895 bar.

## PCA<sup>®</sup>

Aerator with pressure compensating

## ANSI

American National Standard Institute.

## ASME

American Society Of Mechanical

## CSA

Canadian Standard of Association

## IAMPO

International Association of Plumbing and Mechanical Officials.

## NSF

National Sanitation Foundation.

## Gpm

Gallons per minute

## LEED<sup>®</sup>

Leadership in Energy and

## WELS

Australian Water Efficiency Labeling

### Backpressure

The flow resistance of downstream applications (so-called "backpressure"), which has an impact on the flow performance of flow regulators.

### Clear water

Refers to water, which may or may not be potable, that is filtered to remove large debris particles.

### Direction of flow

Direction in which the water passes through the flow regulator. It is determined by the design of the flow regulator.

### Dynamic pressure

Refers to the pressure level (bar/kPa) when there is an actual flow.

### (Flow) Regulator

Pressure compensating flow regulators maintain a constant flow rate regardless of variations in line pressure. Precise flow control improves system performance and in the case of plumbing systems provides comfort of use at low pressure as well as water and energy saving at high pressure.

### (Flow) Restrictor

Refers to a fixed orifice. A restrictor produces higher flow at higher pressure (excess flow) and lower flow at lower pressure (insufficient flow). Thus it is not pressure compensating.

### Flow tolerance

Refers to a deviation from a nominal flow tolerated across the pressure range once the threshold pressure is reached. The tolerance varies by series and flow rate.

### Head loss/Pressure loss/Pressure differential

Refers to pressure drop through the

### Medium

Refers to fluid use in the application. NEOPERL® flow regulators and check valves are designed for clear water applications. In case of large debris in the water, it is recommended to use an accessible filter element upstream of the regulator.

### Nominal Flow

Refers to the target flow rate of a regulator.

### Open outlet

All flow rates indicated in this brochure refer to an open outlet.

### Standard pressure

Pressures > 1 bar

### Static pressure

Refers to the pressure level (bar/kPa) when there is no flow.

### Temperature Range

The flow regulator performance shown in the brochure refers to a hot and cold water range up to 45°C. Using flow regulators in hot water applications up to 90°C slightly reduces the flow rate. However, the use of flow regulators in hot water applications should be checked in advance with the manufacturer.

### Threshold pressure

Refers to the pressure at which the flow regulator effectively begins controlling the flow. Standard regulators begin controlling at 1 bar. Special models (low pressure flow regulators) can begin controlling as early as 0.2 bar.

### Working conditions

Refers to the usual parameters of the application such as medium (usually drinking water), pressure range (usually

### **BACKFLOW**

Indicates a reversal of flow direction. Also describes a situation where non-potable water enters a drinking water network.

### **BACKPRESSURE**

Refers to the pressure on the downstream side of the check valve. Can be caused by piping restrictions, gravity or a separate pressure source such as a pump or pressurized tank. Also describes a condition in which the pressure in a non-potable water system is greater than in the potable water system.

### **BACKPRESSURE STABILITY**

All NEOPERL® check valves are built to withstand backpressure commonly specified in national standards. However, there are some special models designed for higher backpressures, for example in the thermostatic mixers.

### **BACKSPHONAGE**

Refers to a form of backflow due to a reduction in system pressure causing a temporary sub-atmospheric pressure in a part of the water system.

### **CLEAR WATER**

Refers to water, which may or may not be potable, that is filtered to remove large

### **CRACKING PRESSURE/OPENING PRESSURE**

Refers to a minimum pressure differential needed between the inlet and outlet of the valve to lift the plunger off its seat and generate a flow. NEOPERL® check valves usually have a cracking pressure according to the European National Standards. However other cracking pressure points can be specified on demand.

### **CROSSOVER FLOW**

A condition in a plumbing system (for instance a mixing valve) whereby cold water flows into the hot water system (or vice-versa) due to a differential of pressure. Check valves installed on both the cold and hot water lines can eliminate the risk of the cross-over flow.

### **CROSS CONNECTION**

Any connection, permanent or temporary, between a potable water supply and any plumbing fixture or system through which it may be possible for non-potable water to enter the drinking water system. Example: A washing machine connected to a rainwater cistern and the drinking water supply can create a temporary cross-connection.

### **HEADLOSS/PRESSURELOSS**



flow, stop and go®

CACHE, CASCADE, CHROMALUX, "flow, stop and go", HONEYCOMB, NEOPERL, NEOFLEX, PCA, PERIATOR, SOFTPEX, VARIO, WATERCOLOURS, and the NEOPERL logo as well as the WATERCOLOURS logo are all registered trademarks of the NEOPERL Group in Germany and/or in other countries.

LEED® is a brand of the U.S. Green Building Council.

Other product, company or service names mentioned herein may be trademarks or registered trademarks



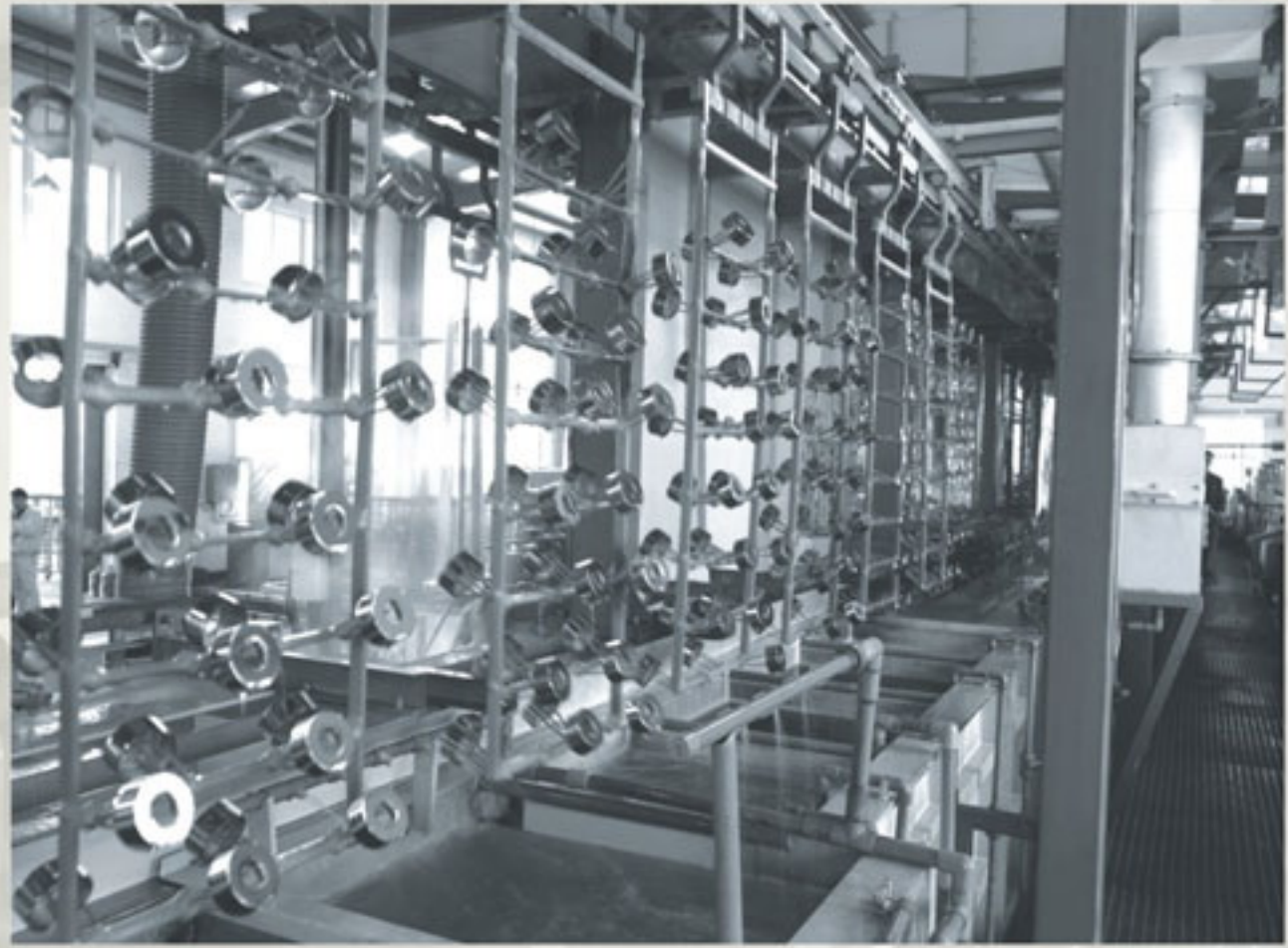


Techno-Mix® Faucets made by die gravity casting are provided with thickness conformity



Gravity Casting





Techno-Mix® Faucets are made of high grade brass raw materials to meet different International Standards and environmental requirement, backed up with long experiences of qualified engineers using state of arts gravity casting machines, and fully automated, digital controlled plating line, to ensure stability and accuracy of the finished products.

Different Plating and PVD Coating as:



Chrome Plating

PVD BN

PVD PB

23/24



TECHNO  
WATER-FALL LINE



# CASCADE

Inspired by the nature, the Cascade series is a celebration of un-rivaled design and enduring craftsmanship while water flows like a natural cascade full

25/26

As an inspired marriage of engineering ingenuity and modern innovation, the Cascade bath filler displays a waterfall-like view when water flows into the bath tub. Put yourself in the middle of it, you can feel it is not only the water that flows but also your imagination.





**TM-8185-D67**

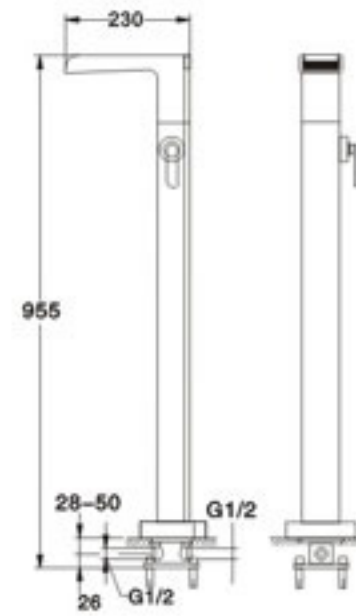
**Single lever bath/shower mixer  
floor-mounted**

27/28



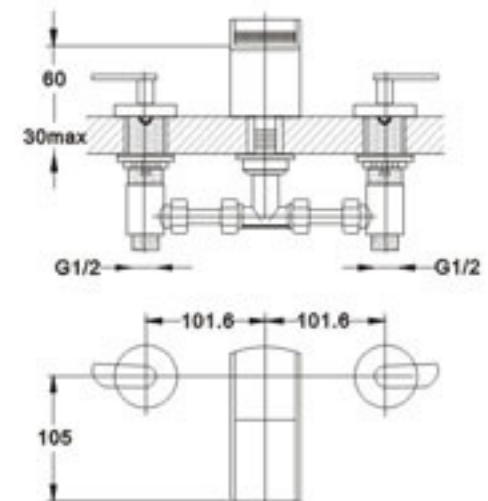
**TM-8185A-D67**

**Single lever bath mixer floor-mounted**



**TM-8255C-653**

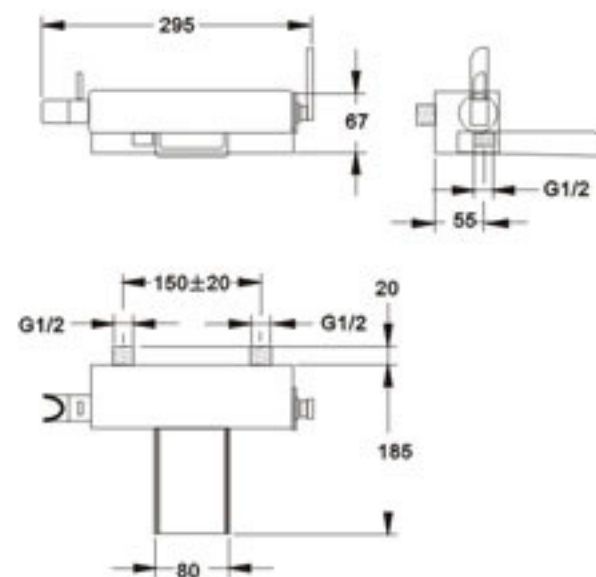
**Two-handle 8" basin mixer**





Consisting of an innovative wall-covering body and uniquely-placed diverter, the exceptional faucet accentuates pretty-shape water flow and larger flow rate. The combination of body-side shower holder, handshower and silver PVC flexible hose

**TM-8105-D67**  
Single lever bath/shower mixer



29/30



Apart from the traditional style, the one-piece faucet brings a brand new shower by imbedding the rainshower into the 60mm-width shower pipe, the top of which can be opened for cleaning and which is directly connected to the faucet body in a same line,



**TM-9825-D66**  
Single lever monobloc basin mixer



**TM-9825A-D66**  
Single lever monobloc basin mixer



**TM-8405-D67**  
Single lever shower mixer



**TM-9825B-D66**  
Single lever monobloc basin mixer



This comprehensive offering consists of a wall-mounted shower set, one-piece rain shower, and the Cascade bath spout, creating a subtle feeling of back-to-nature



**TM-9931-D68**  
Single lever concealed  
bath/shower mixer



**TM-9930-D68**  
Single lever concealed shower mixer



**TM-2037E-D68**  
Single lever concealed 3-way shower or basin mixer with diverter



**TM-9903-D68**  
Single lever concealed 5-way bath/shower mixer with diverter



**TM-8303E-D68**  
Single lever concealed 3-way shower or basin mixer without diverter



Designed to enhance the shower functionality and lending the shower more enjoyment, this wall-mounted set features a two-way rain shower: waterfall or encompassing pouring.

33/34



TECHNO  
THERMO LINE

# ACS Certificate



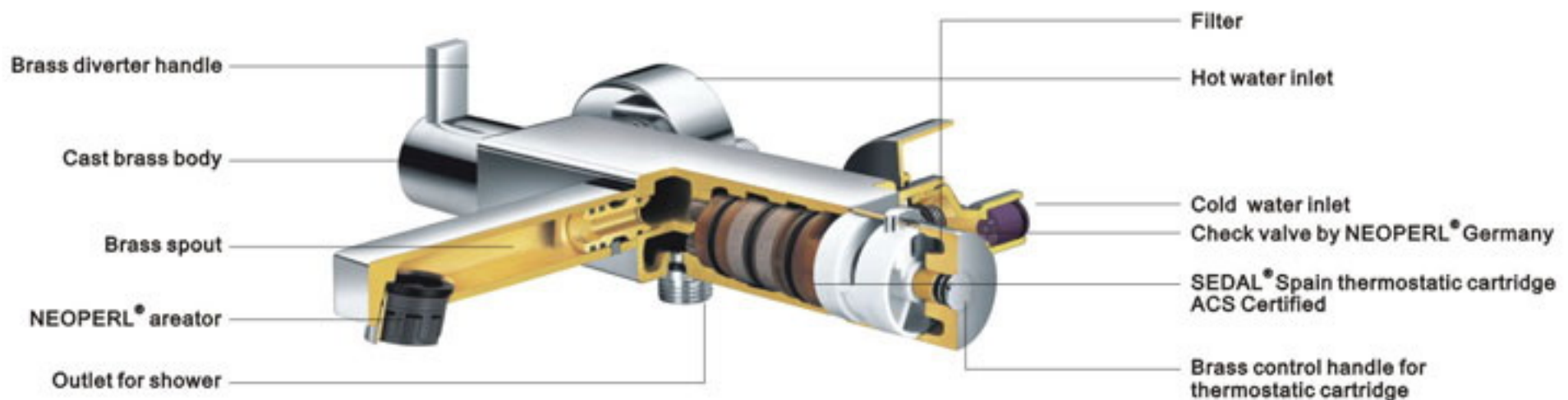
## ATTESTATION DE CONFORMITE SANITAIRE

Conformément à l'arrêté du 29 mai 1997 modifié et à la circulaire du Ministère de la Santé  
Direction Générale de la Santé DGS/SD7A N° 571 du 25 Novembre 2002

Coordonnées du demandeur d'ACS :	
SEDAL AVDA BARCELONA, 264 08750 MOLINS DE REI BARCELONA Espagne	
Nom de l'accessoire représentatif :	
CARTOUCHE THERMOSTATIQUE TM-001	
N° de dossier attribué par le laboratoire habilité : 07 ACC NY 027	
Date de réalisation des essais d'inertie : 22 février 2007	
Commentaires : /	
Famille d'accessoires couverte par l'ACS :	
CARTOUCHE THERMOSTATIQUE TM-001	
Référence :	
Cartouche thermostatique TM-001	
Attestation délivrée par :	Marc Boualam Responsable du Service Alimentarité des Matériaux
Date de délivrance : 22 mars 2007	Signature : 
Date d'expiration : 22 mars 2012	

IRH ENVIRONNEMENT - 11bis rue Gabriel Péri - B.P. 286 - 54515 VANDOEUVRE Cedex  
S.A. au capital de 1 499 553 € - RCS Nancy B 756 800 090 - N° TVA intracom. FR 46 756 800 090 - SIRET 756 800 090 00083 - APE 742 C  
EAM 030 Révision 1 du 12/07/05

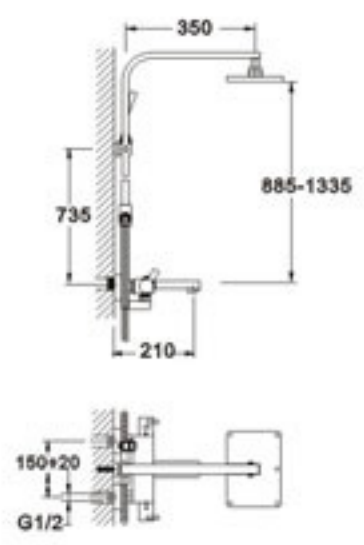
## ACS Certificate



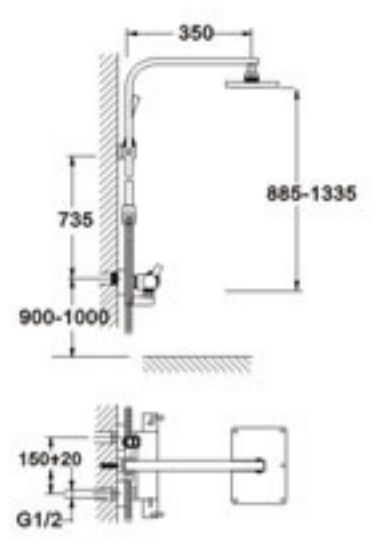
Techno-Thermo Line mixers delivers water at the required temperature and reacts instantly once you turn on the water. Each thermostatic mixer features the scalding proof design and safety button resulting in an automatic shut-off rapidly in the event of hot or cold supply failure to prevent scalding.



**TM-8151-631**  
**Thermostatic bath/shower mixer with rain shower and hand shower**  
 Cast brass body  
 With brass rain shower/Handshower



**TM-8451-631**  
**Thermostatic shower mixer with rain shower and hand shower**  
 Cast brass body  
 With brass rain shower/Handshower



# Nova Series



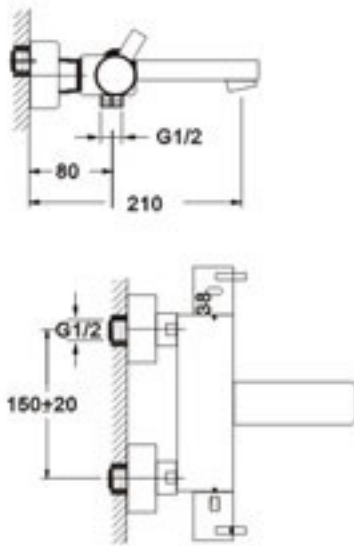
## **TM-8150-631**

**Thermostatic bath/shower mixer**

Cast brass body

Brass handle

Full aerator

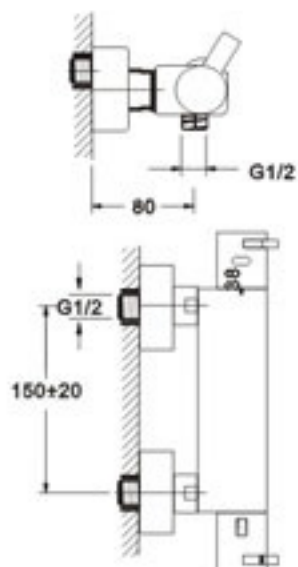


## **TM-8450-631**

**Thermostatic shower mixer**

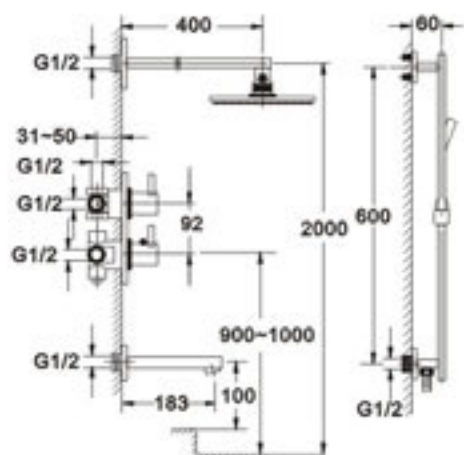
Cast brass body

Brass Handle

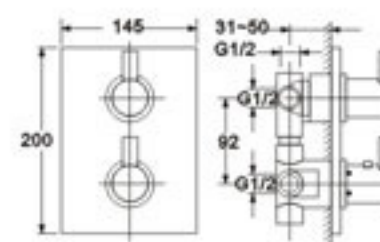




**c TM-8377-631**  
**Thermostatic concealed bath/ shower mixer**  
 with rain shower and slide rail set  
 Forging brass body  
 Brass handle



**c TM-8302-631**  
**Thermostatic concealed mixer**  
 with 3-way diverter  
 Forging brass body  
 Brass handle



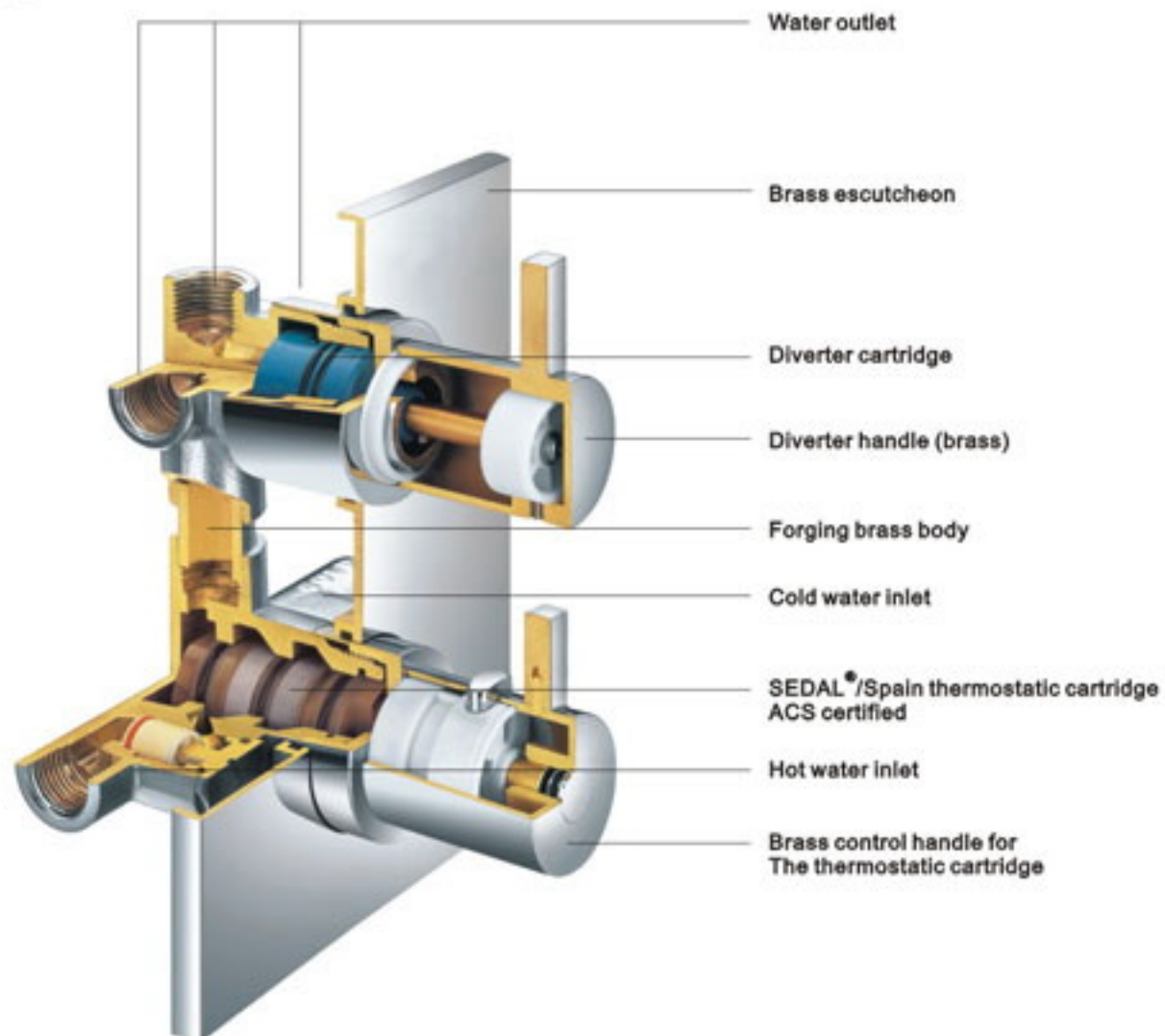
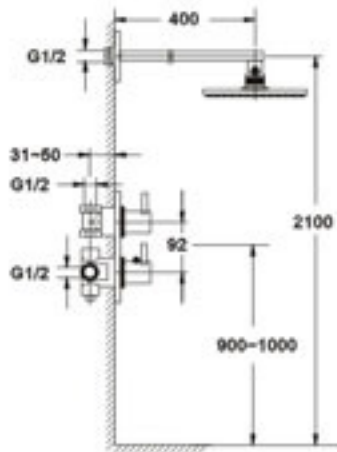


# Nova Series



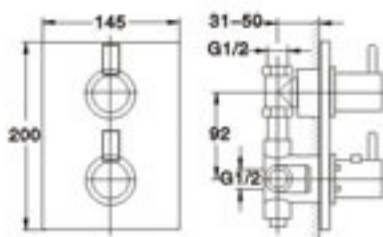
## TM-8378-631

**Thermostatic concealed shower mixer**  
 Forging brass body  
 Brass handle



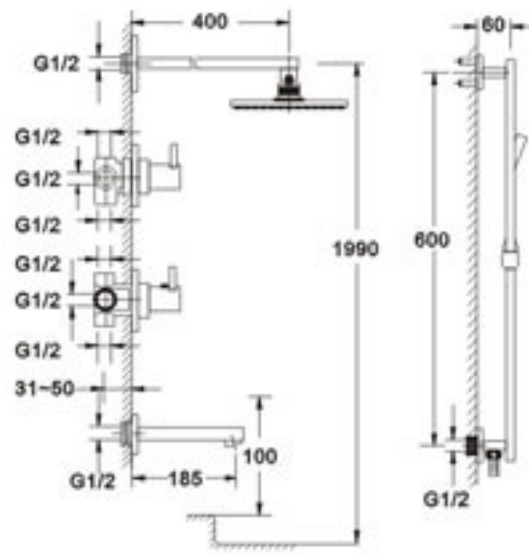
## TM-8301-631

**Thermostatic concealed mixer with volume control**  
 Forging brass body  
 Brass handle

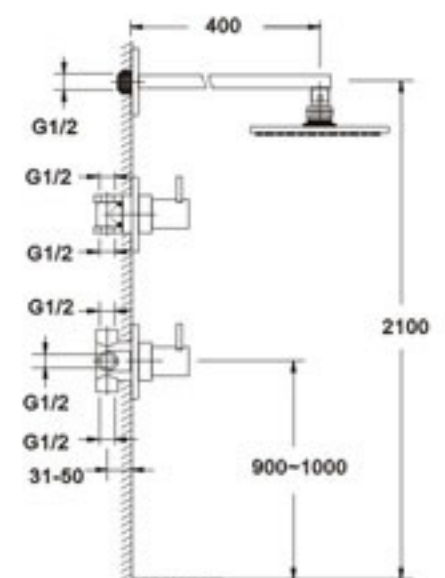




**TM-8372-631**  
 Thermostatic concealed bath/ shower mixer  
 with rain shower and slide rail set  
 Forging brass body  
 Brass handle



**TM-8373-631**  
 Thermostatic concealed shower mixer  
 Forging brass body  
 Brass handle



# Nova Series

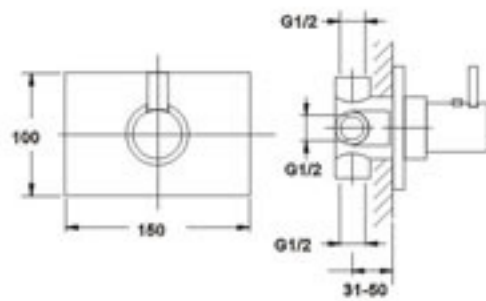


## TM-8307-631

### Thermostatic concealed mixer

Forging brass body

Brass handle

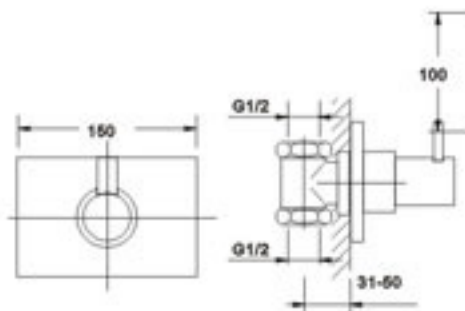


## TM-2101BC-631

### Concealed stop valve

Forging brass body

Brass handle

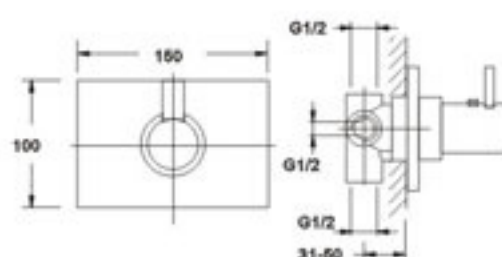


## TM-8306-631

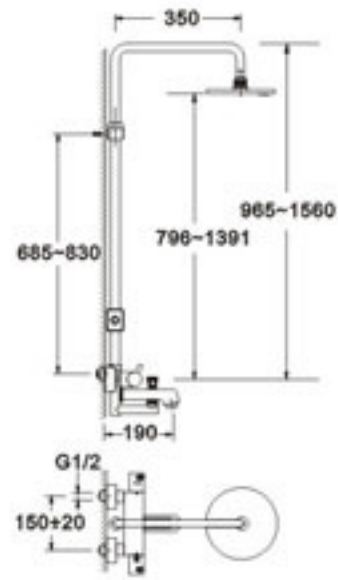
### Concealed 3-way diverter (1 Inlet + 3 outlet)

Forging brass body

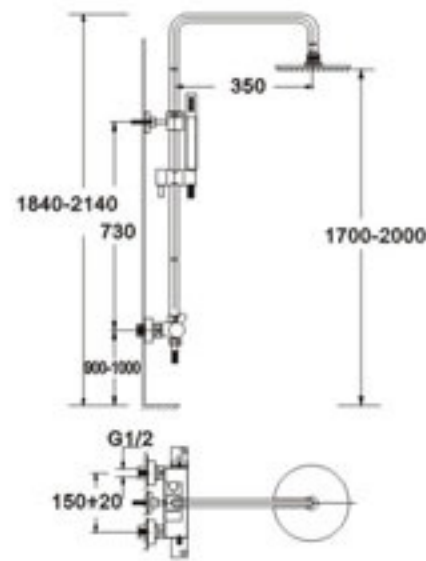
Brass handle



**C** **TM-8156A-619**  
**Thermostatic bath/shower mixer**  
**with rain shower**  
 Cast brass body  
 With brass rain shower/ Hand shower



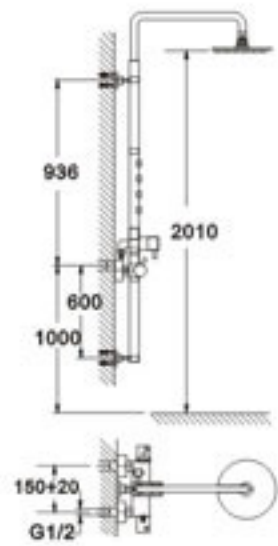
**C** **TM-8458A-619**  
**Thermostatic shower mixer**  
**with rain shower**  
 Cast brass body  
 With brass rain shower/ Hand shower



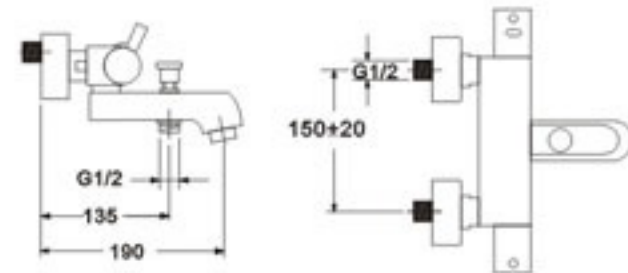
# Century Series



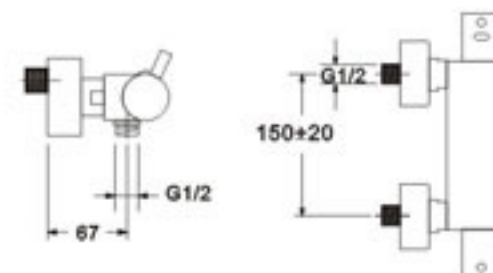
**TM-8456-619**  
**Thermostatic shower mixer with rain shower and spray massage**  
 Cast brass body  
 Brass handle  
 With brass rain shower/ Hand shower  
 With spray massage jets



**TM-8157-619**  
**Thermostatic bath/shower mixer**  
 Cast brass body  
 Brass handle  
 Full aerator

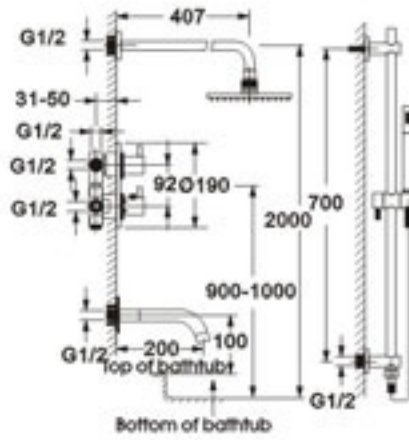


**TM-8457-619**  
**Thermostatic shower mixer**  
 Cast brass body  
 Brass handle

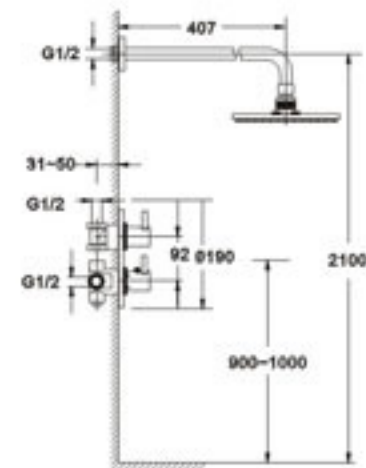




**TM-8375-619**  
**Thermostatic concealed bath/ shower mixer**  
 with rain shower and slide rail set  
 Forging brass body  
 Brass handle



**TM-8376-619**  
**Thermostatic concealed shower mixer**  
 with rain shower  
 Forging brass body  
 Brass handle

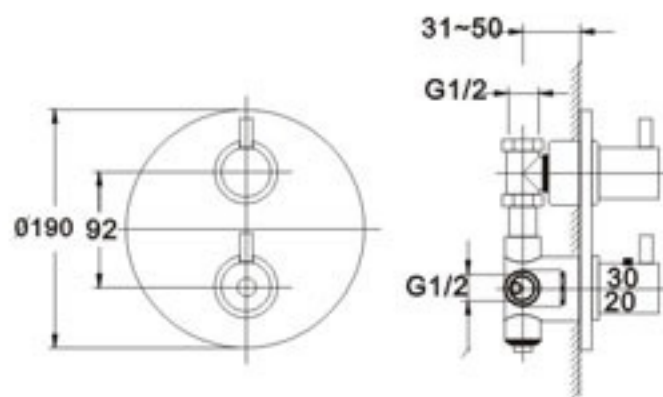


# Century Series



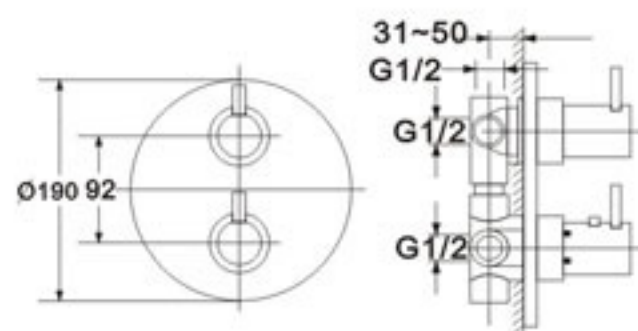
## **TM-8301-619**

**Thermostatic concealed mixer with volume control**  
Forging brass body  
Brass handle



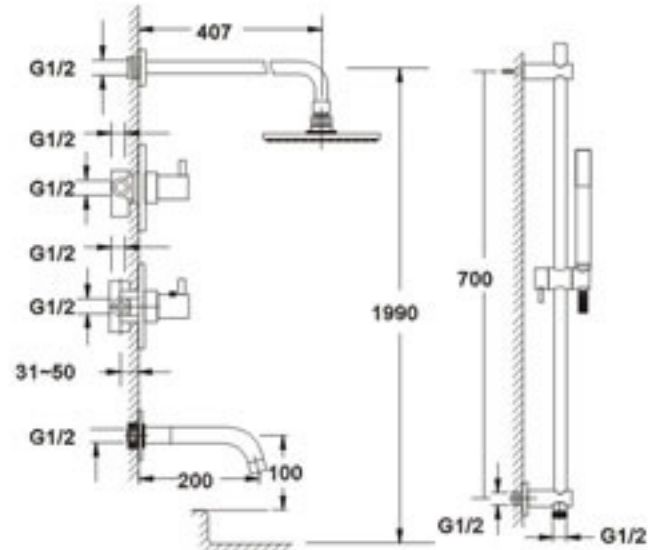
## **TM-8302-619**

**Thermostatic concealed mixer with 3-way diverter**  
Forging brass body  
Brass handle

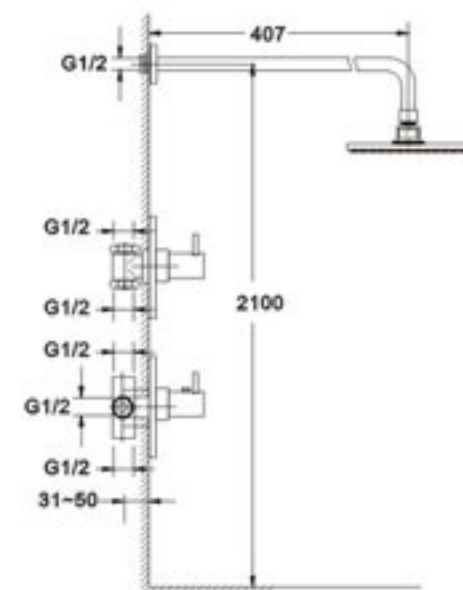




**TM-8370-619**  
**Thermostatic concealed bath/ shower mixer**  
 with rain shower and slide rail set  
 Forging brass body  
 Brass handle



**TM-8371-619**  
**Thermostatic concealed shower mixer**  
 Forging brass body  
 Brass handle

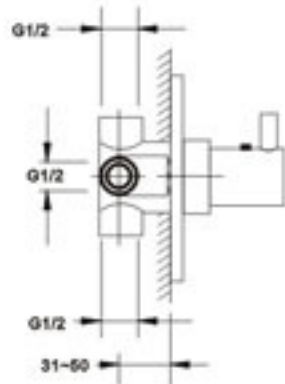




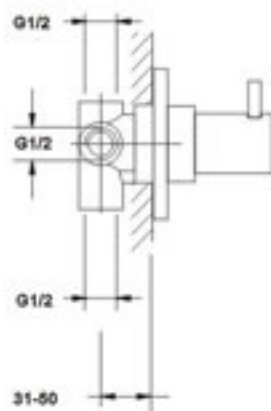
# Century Series



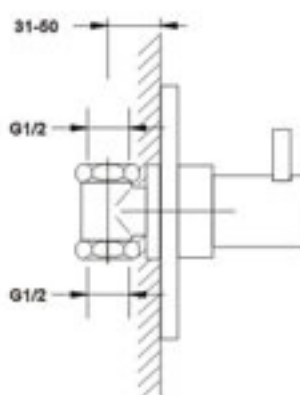
**TM-8307-619**  
**Thermostatic concealed mixer**  
Forging brass body  
Brass handle



**TM-8306-619**  
**Concealed 3-way diverter(1 x inlet / 3 x outlet)**  
Forging brass body  
Brass handle

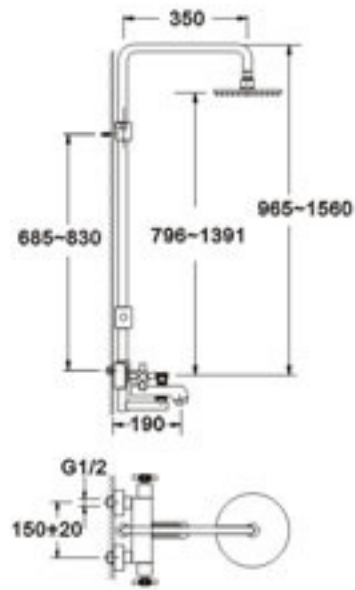


**TM-2101BC-619**  
**Concealed stop valve**  
Forging brass body  
Brass handle

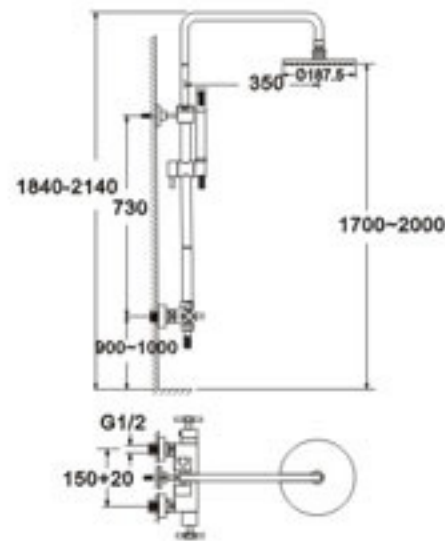




**c** **TM-8156A-617**  
**Thermostatic bath/shower mixer**  
**with rain shower and hand shower**  
 Cast brass body  
 With brass rain shower/ Hand shower

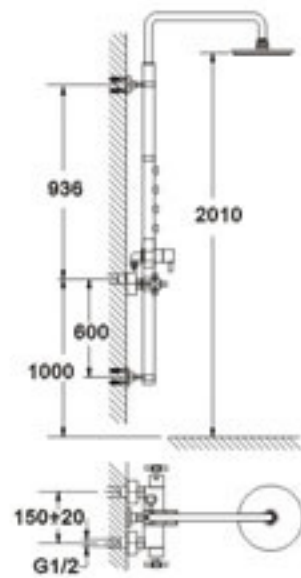


**c** **TM-8458A-617**  
**Thermostatic shower mixer**  
**with rain shower and hand shower**  
 Cast brass body  
 With brass rain shower/ Hand shower

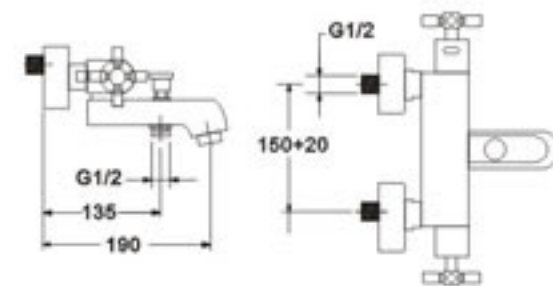




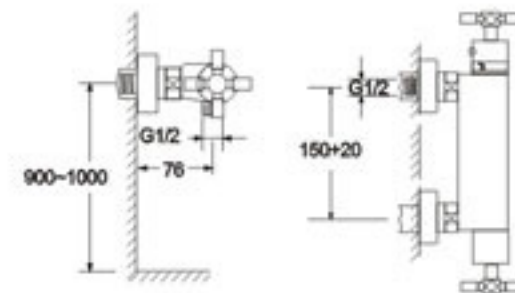
**TM-8456-617**  
**Thermostatic shower mixer with rain shower spray massage and hand shower**  
 Cast brass body  
 Brass handle  
 With brass rain shower/ Hand shower  
 With spray massage jets



**TM-8157-617**  
**Thermostatic bath/shower mixer**  
 Cast brass body  
 Brass handle  
 Full aerator

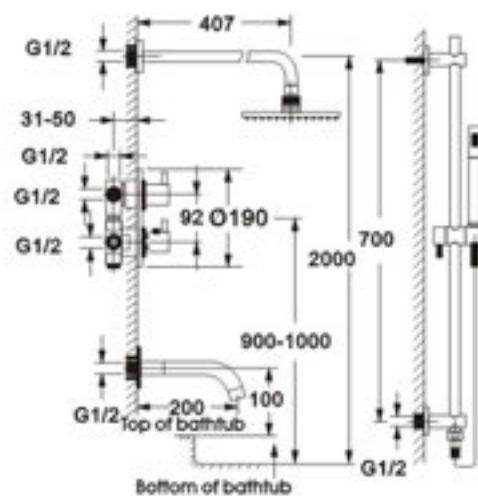


**TM-8457-617**  
**Thermostatic shower mixer**  
 Cast brass body  
 Brass handle

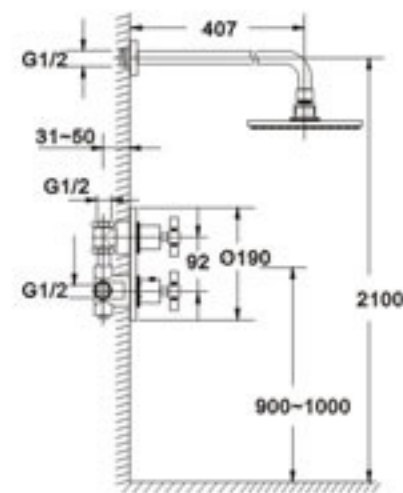




**TM-8375-617**  
**Thermostatic concealed bath/ shower mixer with rain shower and slide rail set**  
 Forging brass body  
 Brass handle  
 Brass rain shower

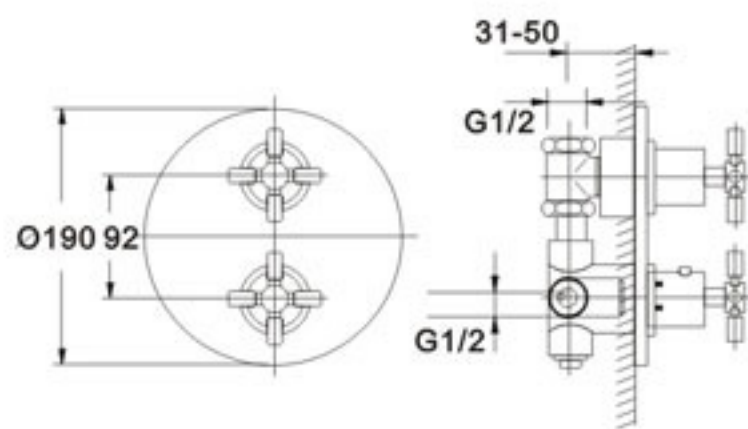


**TM-8376-617**  
**Thermostatic concealed shower mixer with rain shower**  
 Forging brass body  
 Brass handle  
 Brass rain shower



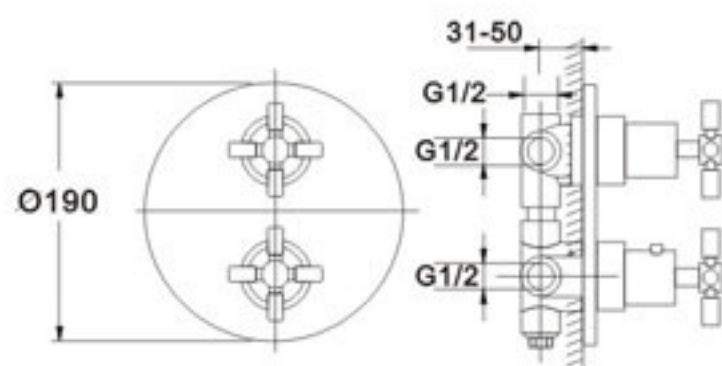
## **TM-8301-617**

**Thermostatic concealed mixer with volume control**  
Forging brass body  
Brass handle



## **TM-8302-617**

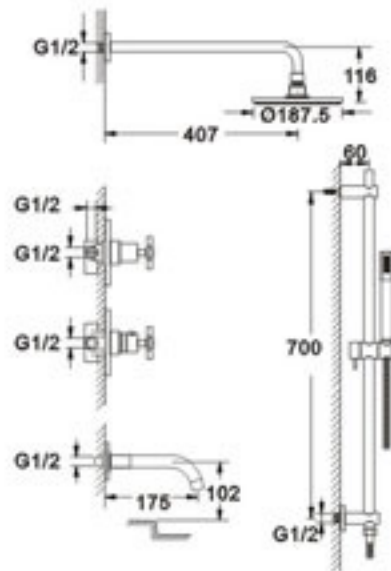
**Thermostatic concealed mixer with 3-way diverter**  
Forging brass body  
Brass handle





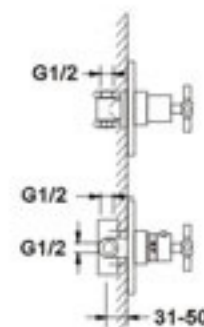
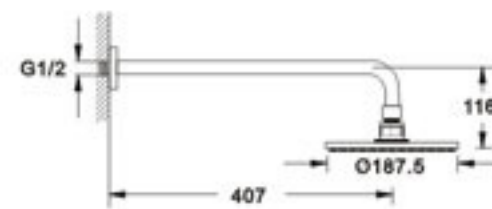
**TM-8370-617**

**Thermostatic concealed bath/ shower mixer with rain shower and slide rail set**  
 Forging brass body  
 Brass handle  
 Brass rain shower

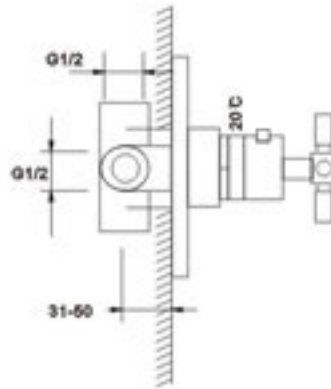


**TM-8371-617**

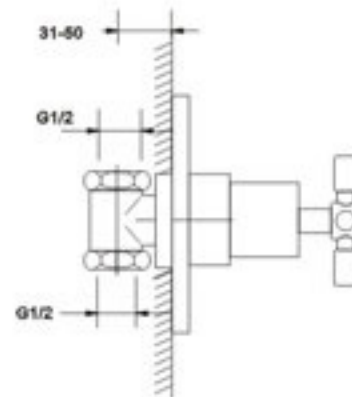
**Thermostatic concealed shower mixer with rain shower**  
 Forging brass body  
 Brass handle



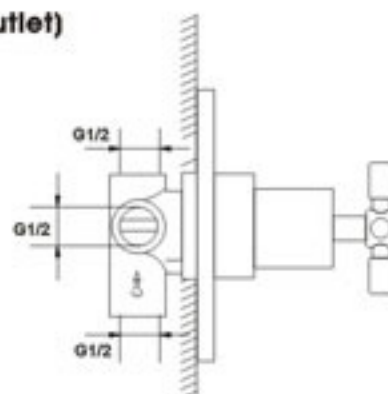
**TM-8307-617**  
**Thermostatic concealed mixer**  
Forging brass body  
Brass handle



**TM-2101BC-617**  
**Concealed stop valve**  
Forging brass body  
Brass handle



**TM-8306-617**  
**Concealed 3-way diverter (1×Inlet/3×outlet)**  
Forging brass body  
Brass handle



53/54



Techno-Tronic line of faucets is designed for easy installation and to

First, it reduces consumption (but not performance).

Second, Techno-Tronic is designed to provide precise electronic metering

Simple installation, combined with these water saving features, makes it

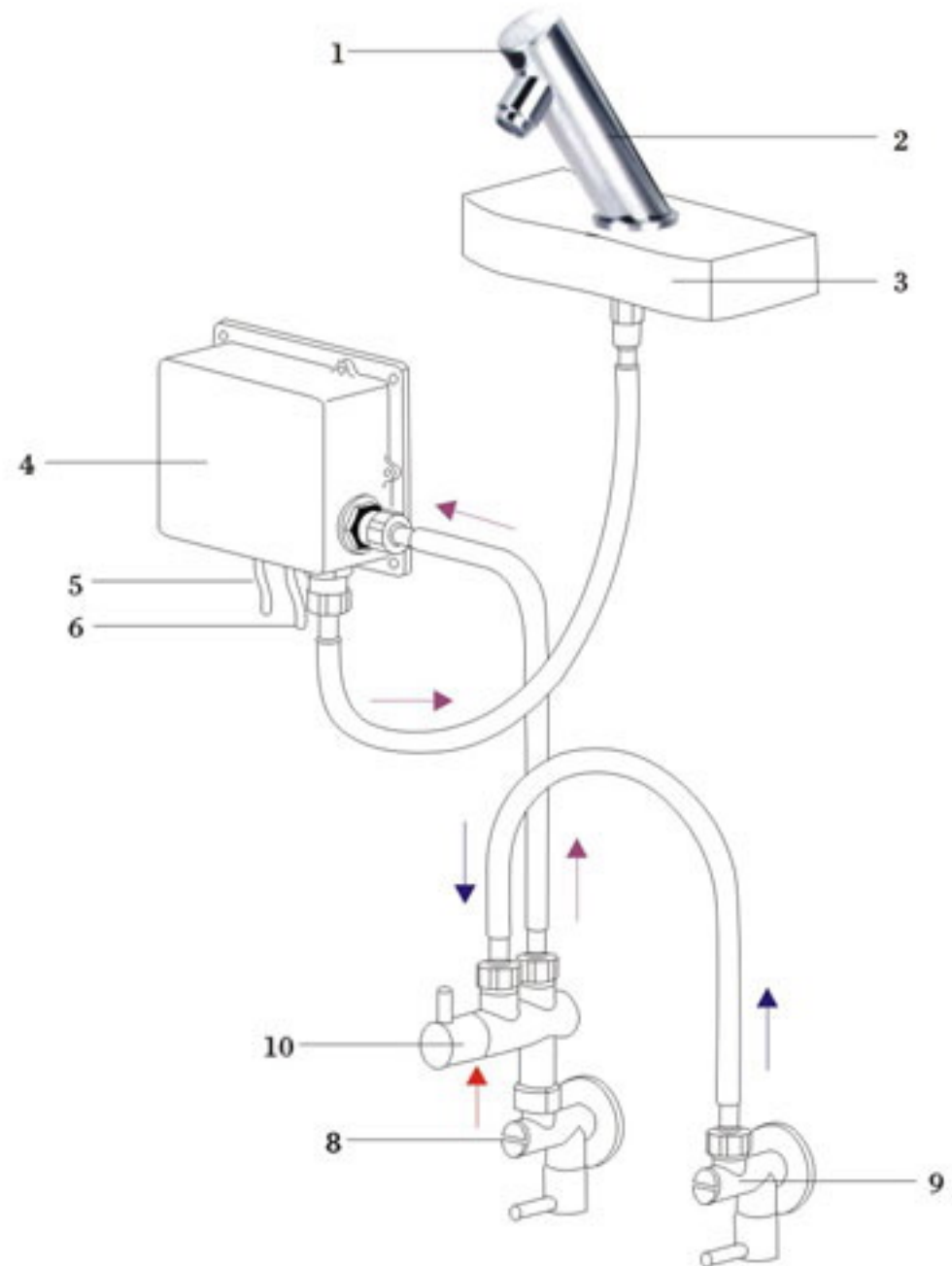
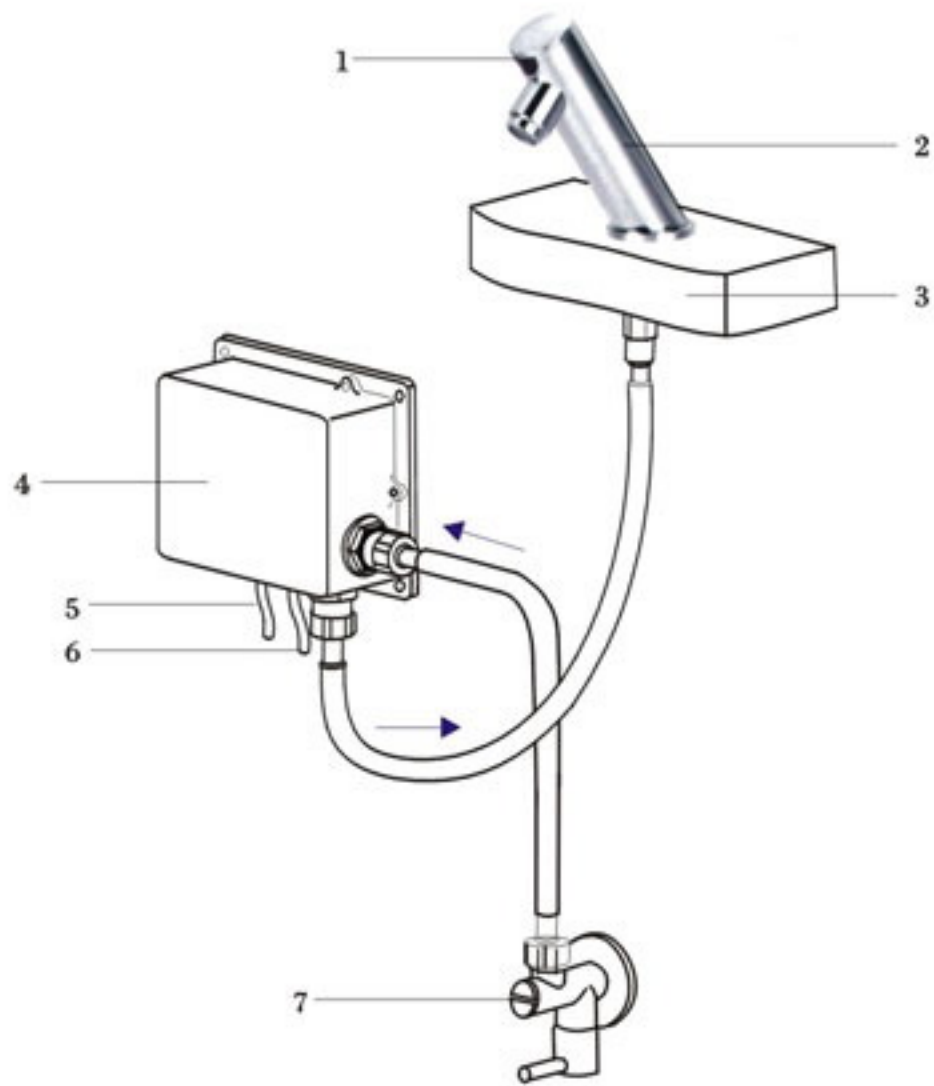
**TECHNO**  
**TRONIC LINE**



# SENSOR FAUCET

Single-inlet Sensor Faucet

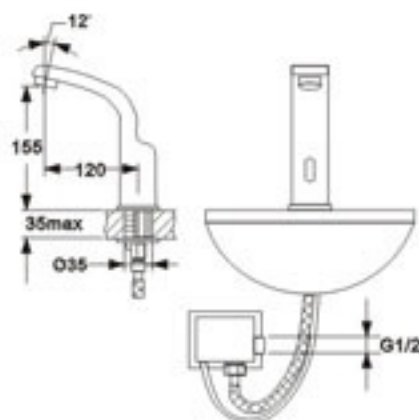
Two-inlet Sensor Mixer



- 1-Infrared sensor
- 2-Sensor faucet body
- 3-Basin deck
- 4-Control box
- 5-AC power supply

- 6-Signal line
- 7-Triangle valve
- 8-Triangle valve for hot supply TM-9304C-607
- 9-Triangle valve for cold supply TM-9304C-607
- 10-Temperature regulator TM-8877

## Sensor Faucets



### TM-9723A

#### Sensor basin faucet

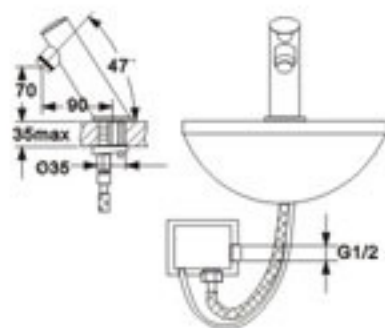
(Power and voltage): DC 6V and/or AC 220V

(Power consumption in static):  $\leq 150 \mu A$

(Induction scope): 16cm

factory set 16cm

(Temperature):  $0.1^{\circ}C \sim 45^{\circ}C$



### TM-9728

#### Sensor basin faucet

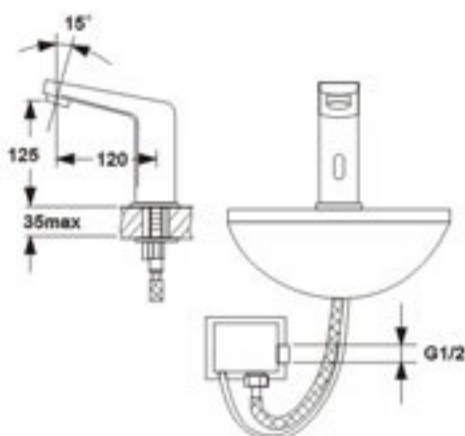
(Power and voltage): DC 6V and/or AC 220V

(Power consumption in static):  $\leq 150 \mu A$

(Induction scope): 16cm

factory set 16cm

(Temperature):  $0.1^{\circ}C \sim 45^{\circ}C$



### TM-9725A

#### Sensor basin faucet

(Power and voltage): DC 6V and/or AC 220V

(Power consumption in static):  $\leq 150 \mu A$

(Induction scope): 16cm

factory set 16cm

(Temperature):  $0.1^{\circ}C \sim 45^{\circ}C$

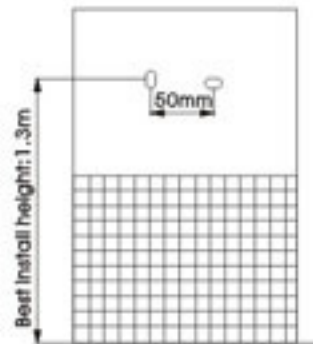
# Sensor Soap Dispenser Sensor Hand Dryer



## TM-9750

### Sensor soap dispenser

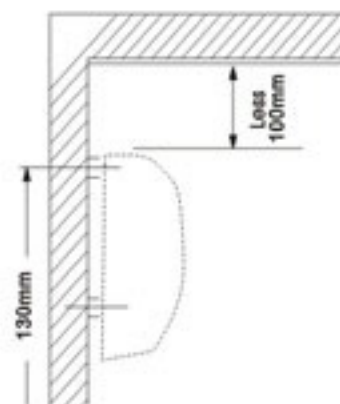
(Power and voltage):DC 6V  
(Power consumption in static):0.5mW  
(The Induction scope):30cm  
Factory set 30cm (based on standard sensor board)  
(Volume):600ml  
(Working wise):Infrared sensing



## TM-9751

### Sensor hand dryer

(Voltage):220V 50/60Hz  
(Power):1000W  
(Temperature):48°C ~54°C  
(The Induction scope):20±3CM  
(Overtime protection):≤2min  
(Working wise):Infrared sensing  
(Dimensions):250x240x300mm

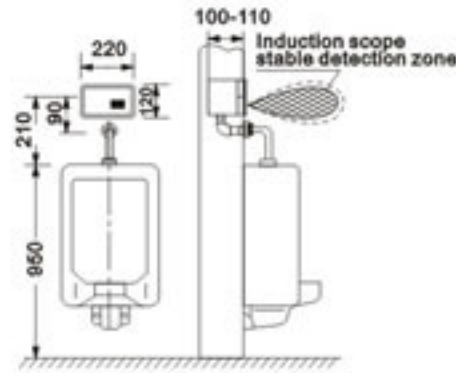


# Sensor Flusher

## TM-9730

### Sensor urinal flusher

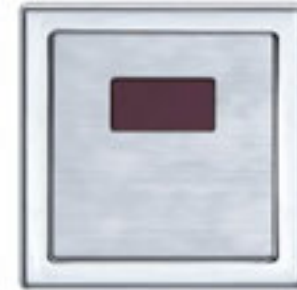
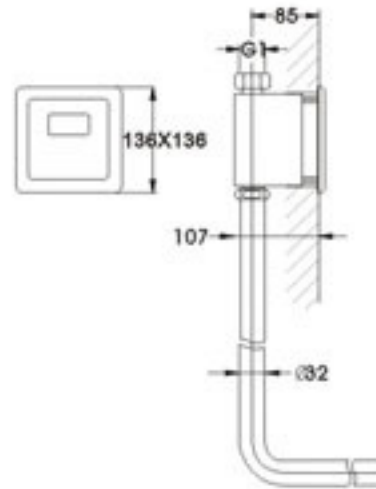
(Power and voltage): DC 6V AC220V 50/60Hz  
 (Power consumption in static):  $\leq 150 \mu A$   
 (The induction scope): 75cm  
 Factory set 75cm (based on standard sensor board)  
 (Temperature): 1~45°C



## TM-9733

### Sensor toilet flusher

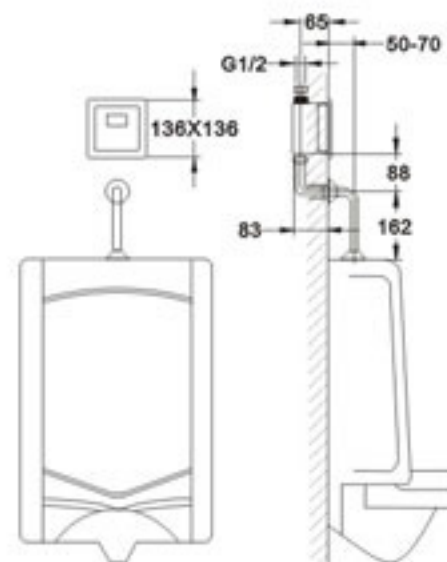
(Power and voltage): DC 6V AC220V 50/60Hz  
 (Power consumption in static):  $\leq 150 \mu A$   
 (The induction scope): 75cm  
 Factory set 75cm (based on standard sensor board)  
 (Temperature): 1~45°C



## TM-9732

### Sensor urinal flusher

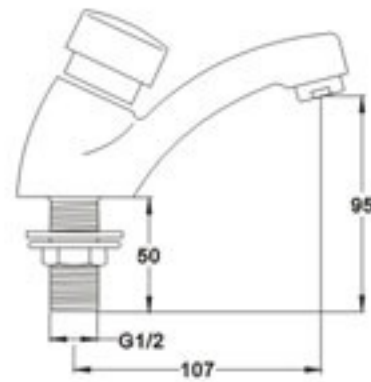
(Power and voltage): DC 6V AC220V 50/60Hz  
 (Power consumption in static):  $\leq 150 \mu A$   
 (The induction scope): 75cm  
 Factory set 75cm (based on standard sensor board)  
 (Temperature): 1~45°C



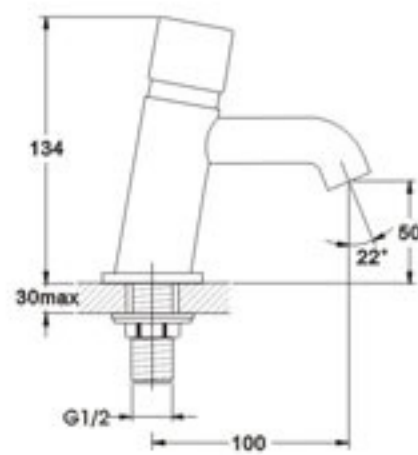
# Delay Tap



**TM-2061**  
1/2" Self-closing basin tap



**TM-8623**  
1/2" Self-closing basin tap



59/60



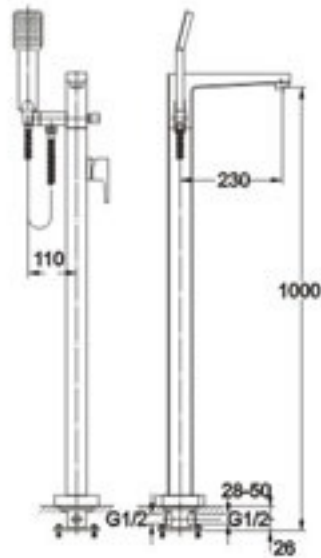
Perfection prevails from the appearance to the structure within. The Gallant floor-mounted bath/shower mixer mixes quality with elegance in an exciting way, for you to fully experience

**TECHNO**  
SINGLE LEVER LINE

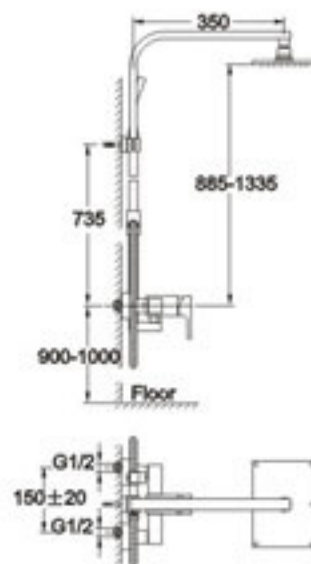
# Gallant Series

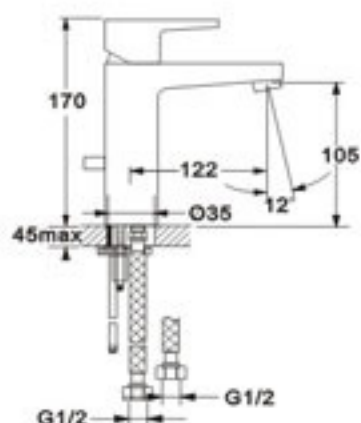


**TM-8129-D53**  
Single lever bath/shower mixer floor mounted  
Cast brass body  
Brass handle  
Full aerator  
With shower set



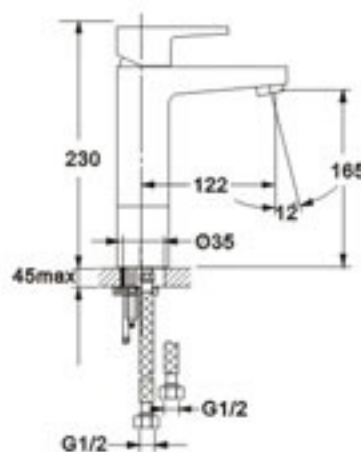
**TM-8409-D57**  
Single lever shower mixer with rain shower and hand shower  
Cast brass body  
Brass handle  
With brass rain shower/Handshower





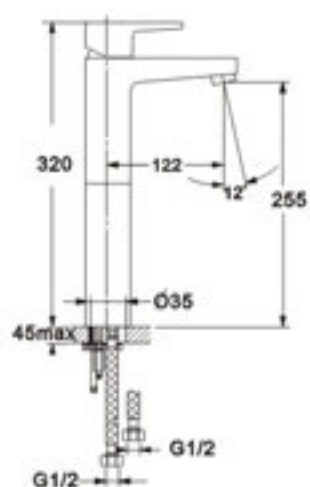
**TM-8269-D53**

**Single lever monobloc basin mixer**  
 Cast brass body  
 Brass handle  
 Full aerator



**TM-8269A-D53**

**Single lever monobloc basin mixer**  
 Cast brass body  
 Brass handle  
 Full aerator



**TM-8269B-D53**

**Single lever monobloc basin mixer**  
 Cast brass body  
 Brass handle  
 Full aerator

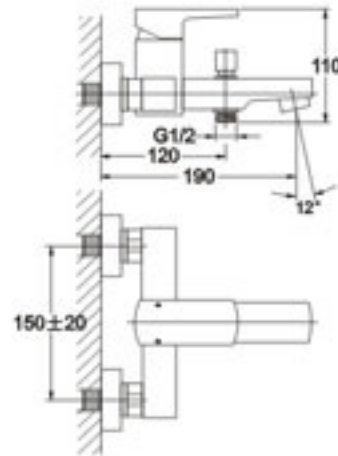


# Gallant Series



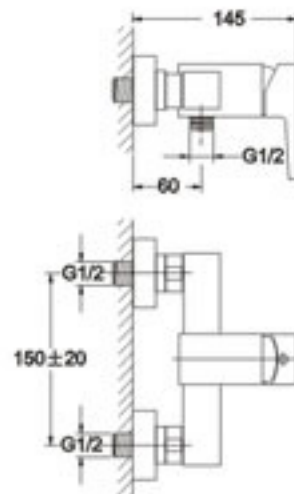
## TM-8169-D57

**Single lever bath/shower mixer**  
Cast brass body  
Brass handle  
Full aerator



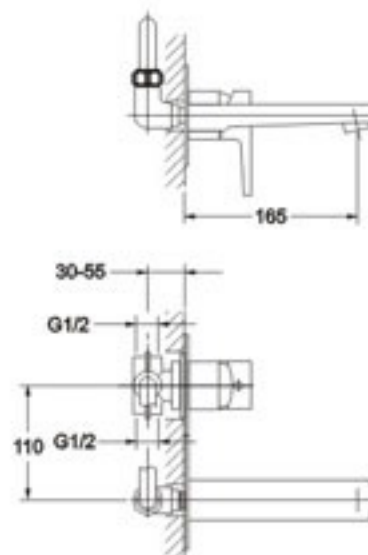
## TM-8469-D57

**Single lever shower mixer**  
Cast brass body  
Brass handle



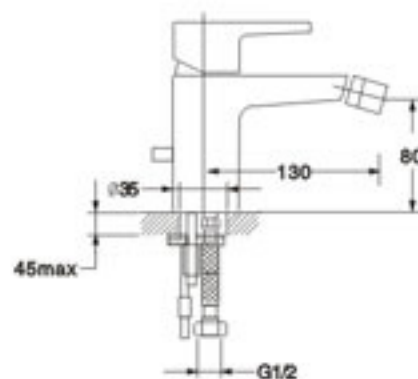
## TM-8289-D55

**Single lever concealed basin mixer**  
Forging brass body  
Brass handle  
Full aerator



## TM-8569-D53

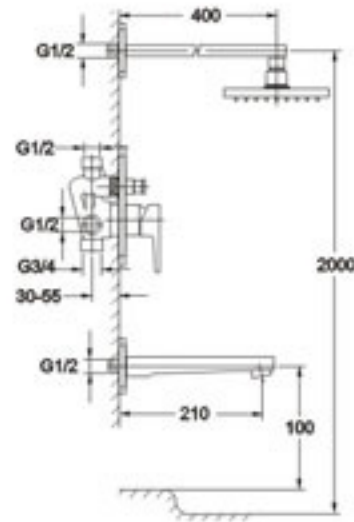
**Single lever bidet mixer**  
Cast brass body  
Brass handle  
Full aerator





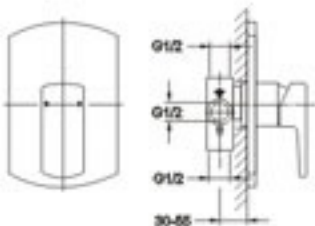
**TM-8319-D55**

**Single lever concealed bath/shower mixer with rain shower**  
 Forging brass body  
 Brass handle  
 Elliptical brass rain shower  
 Full aerator



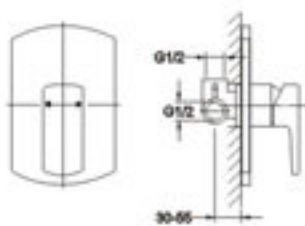
**TM-2036D-D55**

**Single lever concealed 4-way bath/shower mixer without diverter**  
 Forging brass body  
 Brass handle



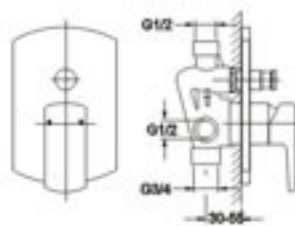
**TM-8303D-D55**

**Single lever concealed 3-way shower or basin mixer without diverter**  
 Forging brass body  
 Brass handle



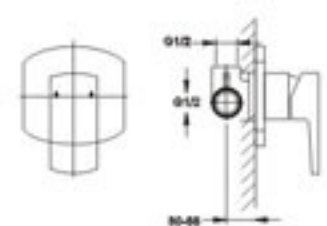
**TM-2037D-D55**

**Single lever concealed 4-way bath/shower mixer with diverter**  
 Forging brass body  
 Brass handle



**TM-8303C-D55**

**Single lever concealed 3-way shower or basin mixer without diverter**  
 Forging brass body  
 Brass handle



# Gallant Series



## TM-8318-D55

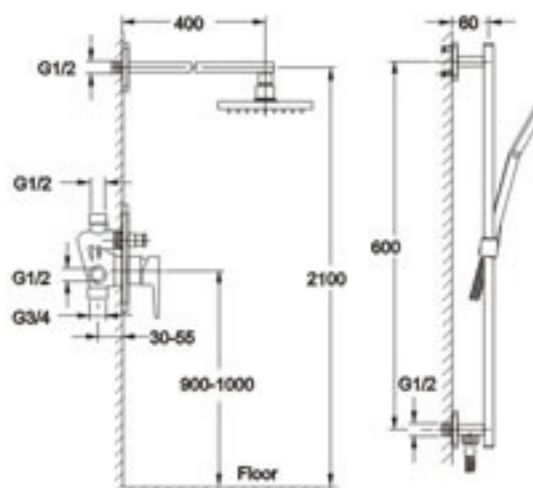
Single lever concealed shower mixer with rain shower and sliding rail set

Forging brass body

Brass handle

Elliptical brass rain shower

With sliding rail and handshower set



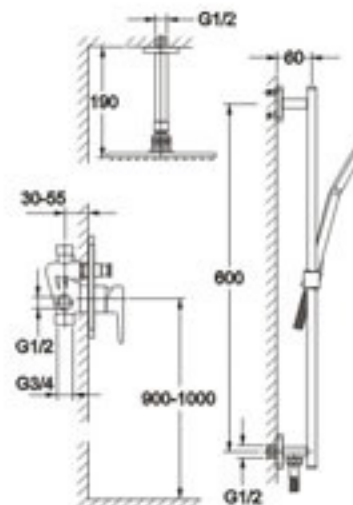
**TM-8313-D55**

**Single lever concealed shower mixer with rain shower and sliding rail set**

Forging brass body

Brass handle

With sliding rail and handshower set



Selection is creation. The forging brass body with a 10-inch rainshower is a top choice for star hotels.



**TM-8313A-D55**  
Single lever concealed shower

67/68

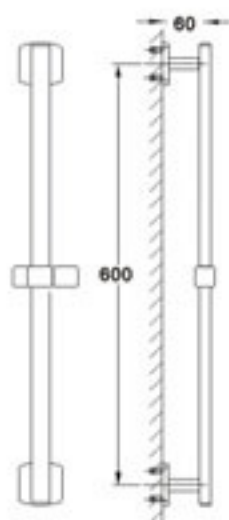


# Gallant Series



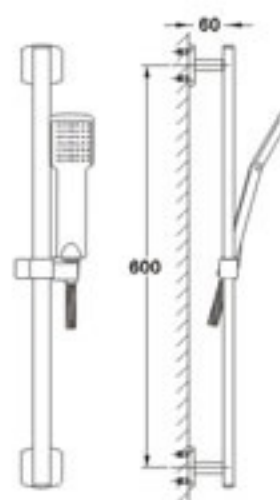
## TM-9529

Slide rail only  
Brass sliding bar and bracket



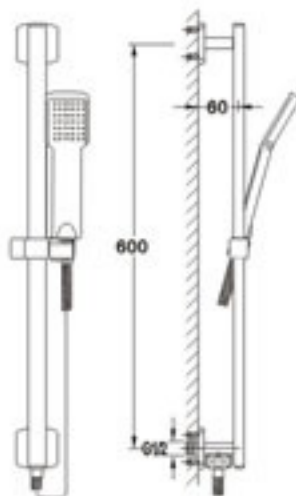
## TM-9529-550

Slide rail set with handshower and flexible hose  
Brass sliding bar and bracket  
Handshower of one settings



## TM-9539-550

Slide rail set with handshower and flexible hose  
Brass sliding bar and bracket  
Handshower of one settings



69/70



The spout as swivel is a patent design by techno-mix®, which displays refined simplicity, saves the space and enhances the quality standard.  
The fan-shaped water flowing from the



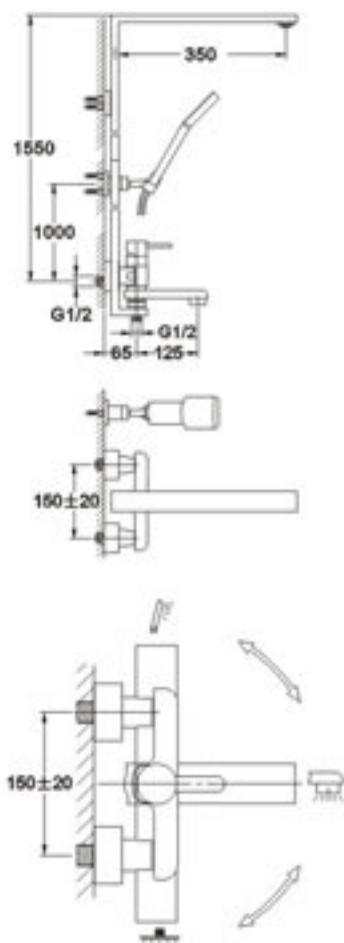


# Serena Series



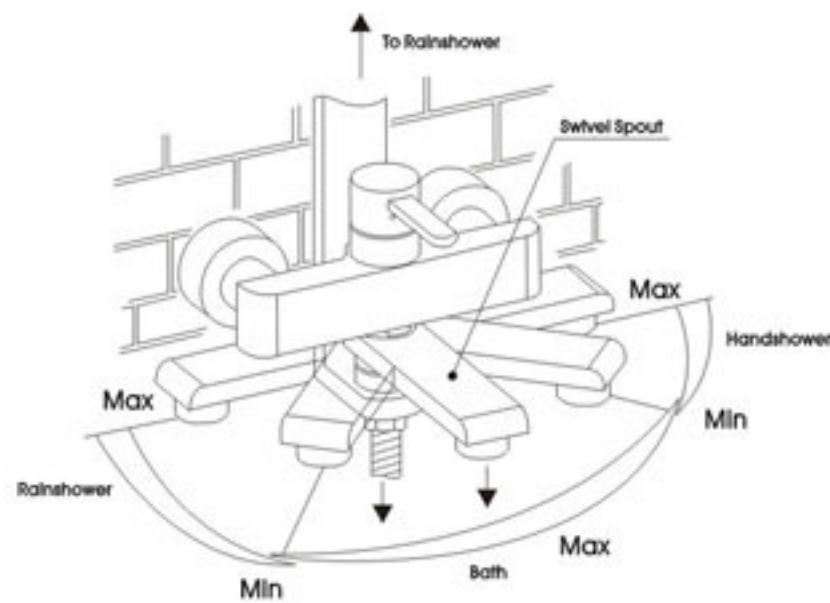
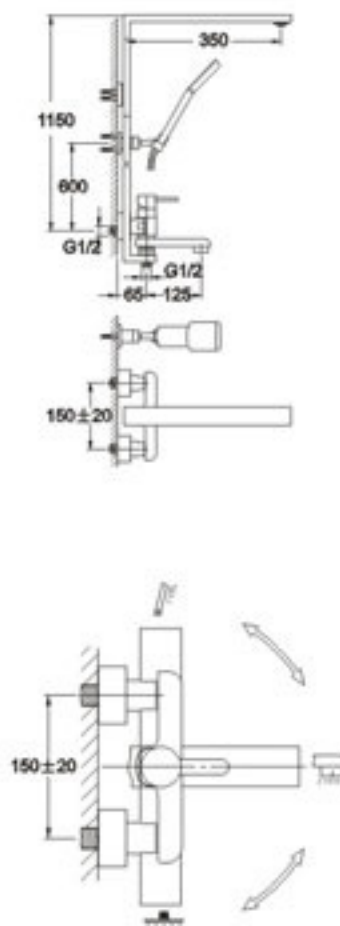
## TM- 8166A-D56

Single lever bath/shower mixer with rain shower  
 Cast brass body  
 Brass handle  
 Rain shower/Handshower



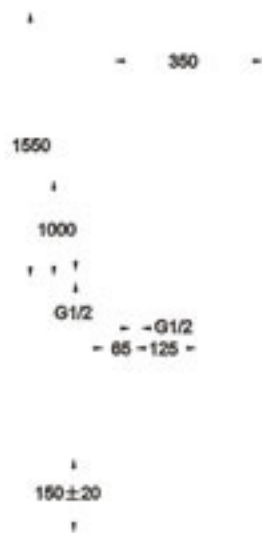
## TM- 8166C-D56

Single lever bath/shower mixer with rain shower  
 Cast brass body  
 Brass handle  
 Rain shower/Handshower



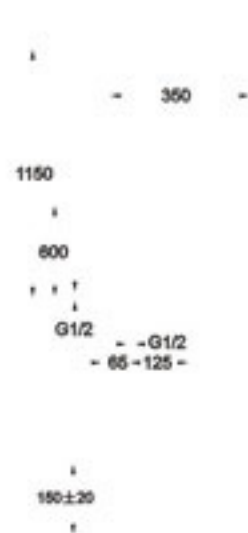
**TM-8166-D56**

**Single lever bath/shower mixer with rain shower**  
 Cast brass body  
 Brass handle  
 Rain shower/Handshower



**TM-8166B-D56**

**Single lever bath/shower mixer with rain shower**  
 Cast brass body  
 Brass handle  
 Rain shower/Handshower

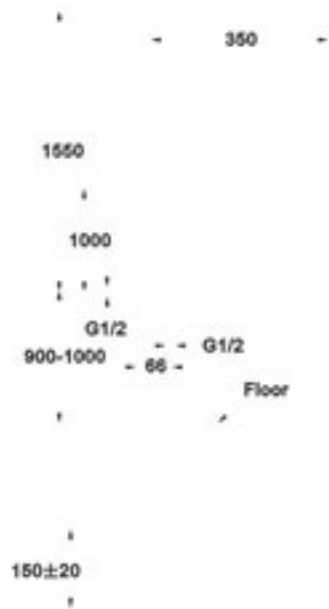


# Serena Series



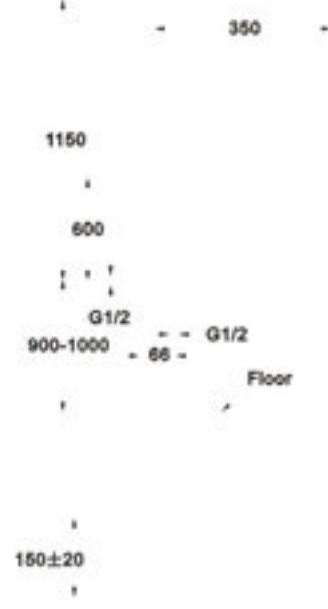
## TM-8466C-D56

Single lever shower mixer  
with rain shower  
Cast brass body  
Brass handle  
Rain shower/Handshower



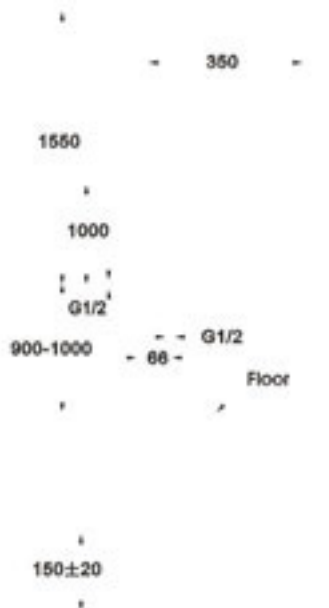
## TM-8466A-D56

Single lever shower mixer  
with rain shower  
Cast brass body  
Brass handle  
Rain shower/Handshower



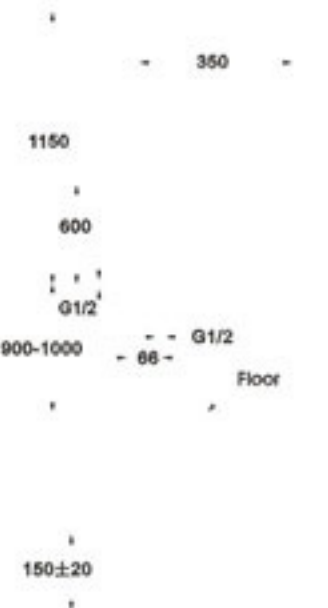
## TM-8466B-D56

Single lever shower mixer  
with rain shower  
Cast brass body  
Brass handle  
Rain shower/Handshower

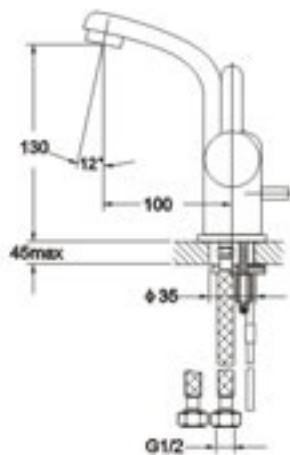


## TM-8466-D56

Single lever shower mixer  
with rain shower  
Cast brass body  
Brass handle  
Rain shower/Handshower

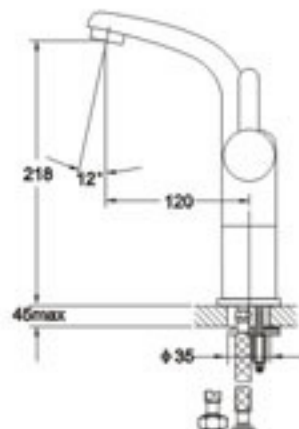


73/74



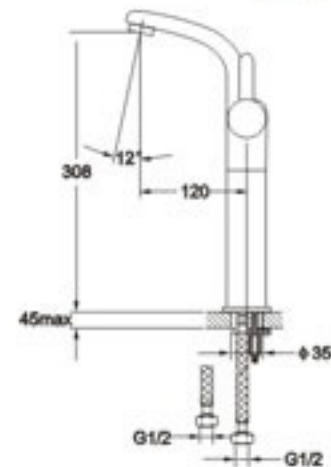
**TM-8260-D56**

Single lever monobloc basin mixer  
Cast brass body  
Brass handle  
Full aerator



**TM-8220A-D56**

Single lever monobloc basin mixer  
Cast brass body  
Brass handle  
Full aerator



**TM-8220B-D56**

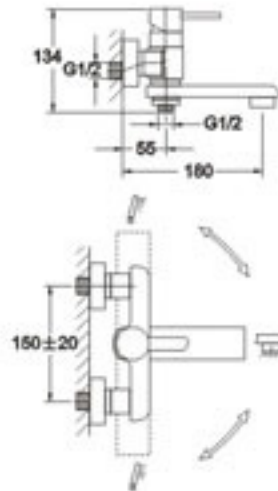
Single lever monobloc basin mixer  
Cast brass body  
Brass handle  
Full aerator

# Serena Series



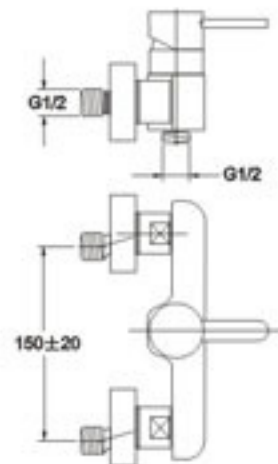
## TM-8160-D56

Single lever bath/shower mixer  
Cast brass body  
Brass handle  
Full aerator



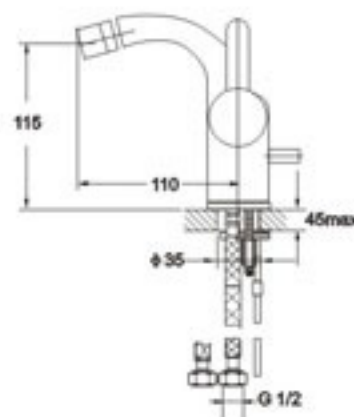
## TM-8460-D56

Single lever shower mixer  
Cast brass body  
Brass handle



## TM-8560-D56

Single lever bidet mixer  
Cast brass body  
Brass handle  
Full aerator



75/76



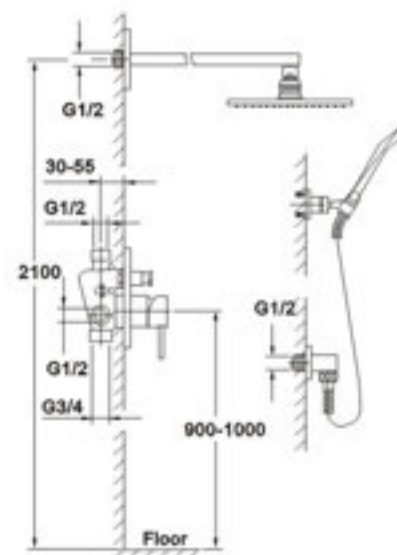


**TM-8120-D56**  
Single lever bath/shower  
mixer floor-mounted

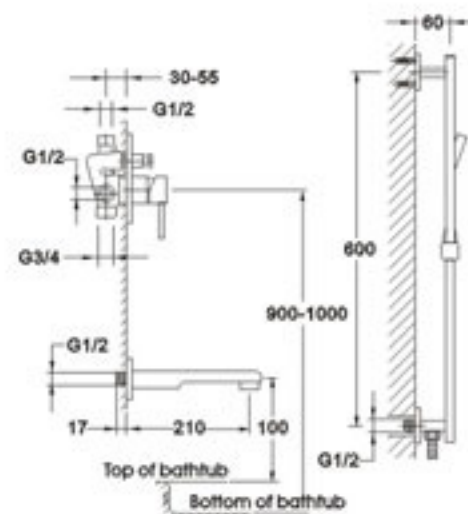
With inherent refinement of the Serena series, the floor-mounted bath/shower mixer creates a comfortable space full of originality and inspirations.

**TM-8311-D51****Single lever concealed shower mixer with handshower set**

Forging brass body  
 Brass handle  
 Shower set

**TM-8310-D51****Single lever concealed bath/shower mixer with sliding rail set**

Forging brass body  
 Brass handle  
 With sliding rail and handshower set  
 Full aerator

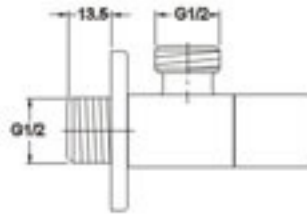




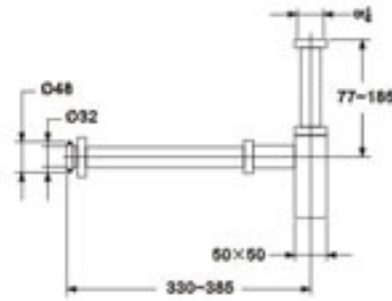
# Serena Series



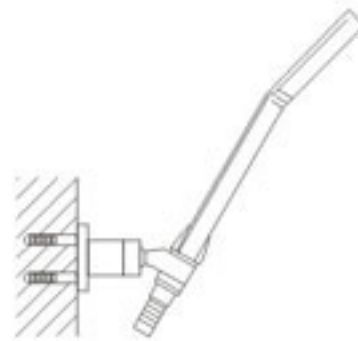
**TM-9312C-630**  
Triangle valve (1/2")



**TM- 9267**  
Brass basin bottle trap (siphon)  
(With pop-up pipe)



**TM-8859-550**  
Shower set



**TM-8870**  
Shower outlet elbow



**TM-8876**  
Shower outlet elbow  
with handshower holder



**TM-8876A**  
Brass handshower holder



79/80

The Nova series vividly expresses an enchanting sense of modern purity and simplicity with the gliding surface and square shape.



# Nova Series



**Attestation de Conformité Sanitaire**  
Conformément à l'article 29 de la loi 1997 modifiée et à la circulaire du Ministère de la Santé  
Direction Générale de la Santé (DGS/SD7A N° 27) du 23 Novembre 2002

**Coordonnées de l'annonceur d'ACS :**  
SEDAL  
Avenida Barcelona 244  
Polígono Industrial El Pla  
08700 MOLINS DE REI - BARCELONA  
Espagne

**Nom de l'accessoire représentatif :**  
CARTOUCHE E-40 CD DR

**N° de dossier attribué par le laboratoire habilité :** 83 ACC NY 123

**Date de validation des essais d'essai :** 11 Décembre 2002

**Commentaires :**

**Famille d'accessoires couverts par l'ACS :**  
CARTOUCHE SEDAL

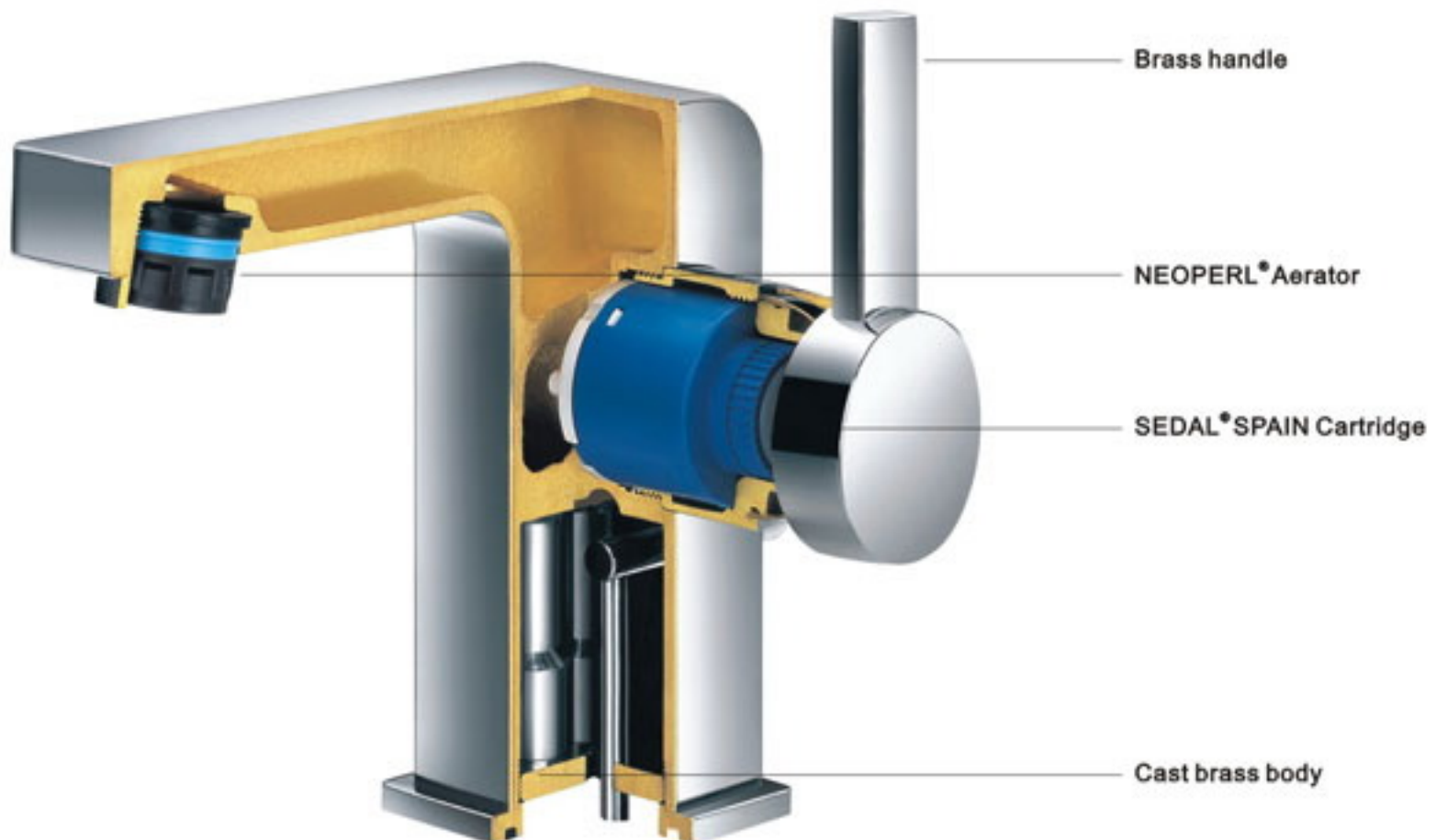
**Adresses :**  
Cartouche E-40 CD DR, E-40 CD DR, E-40 SD DR et E-40 SD DR

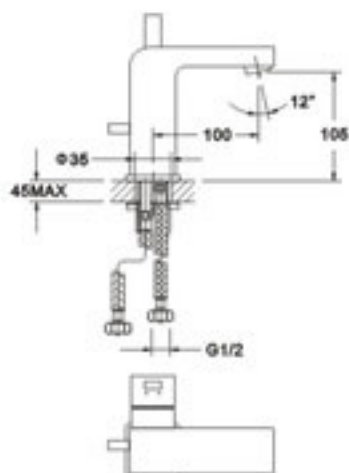
**Commentaires :**

**Attestation délivrée par :** Marc Bouillon  
Chef du Secteur Alimentaire des Matériaux - LMRSP

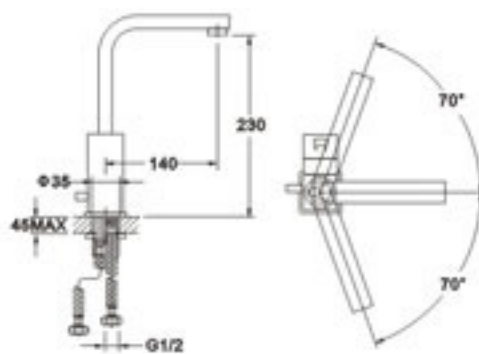
**Signature :**

**Date de délivrance :** 21 Janvier 2004  
**Date d'expiration :** 31 Janvier 2009

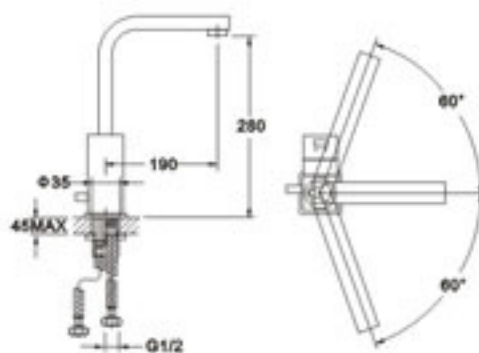




**TM-8227-D37**  
**Single lever monobloc basin mixer**  
 Cast brass body  
 Brass handle  
 Full aerator



**TM-8266-D37**  
**Single lever monobloc basin mixer**  
 Forging brass body  
 Brass handle  
 Full aerator



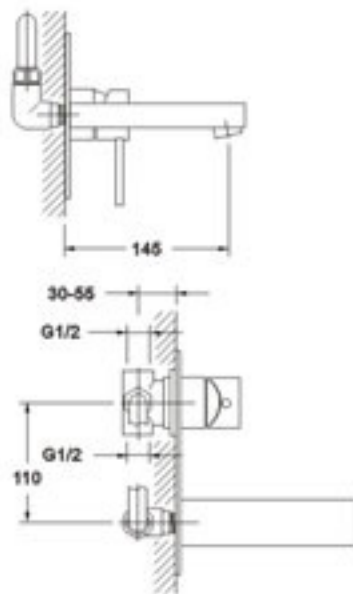
**TM-8707-D37**  
**Single lever sink mixer**  
 Forging brass body  
 Brass handle  
 Full aerator



**TM-8287-D38**

**Single lever concealed basin mixer**

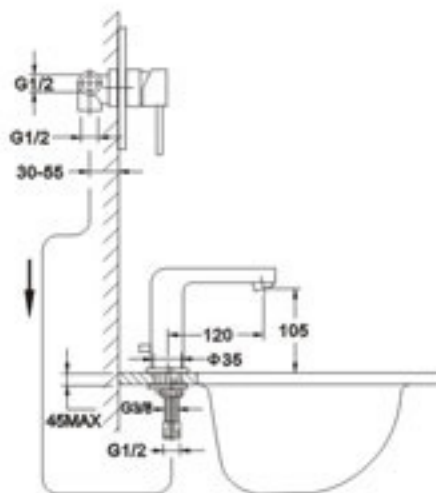
- Forging brass body
- Brass handle
- Full aerator



**TM-8285-D38**

**Single lever concealed basin mixer**

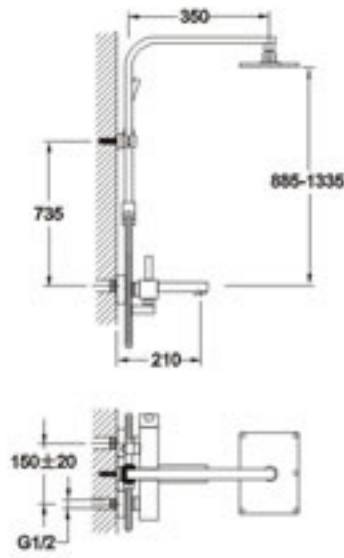
- Forging brass body
- Brass handle
- Full aerator





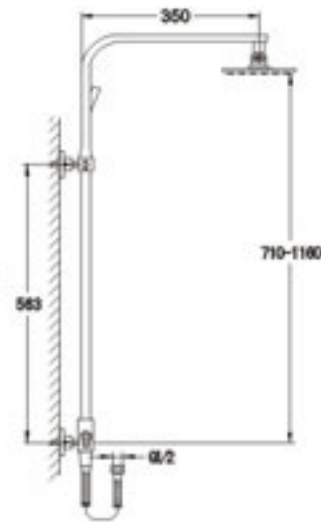
**TM-8167-D38**

**Single lever bath/shower mixer with rain shower**  
 Cast brass body  
 Brass handle  
 With brass rain shower/Handshower



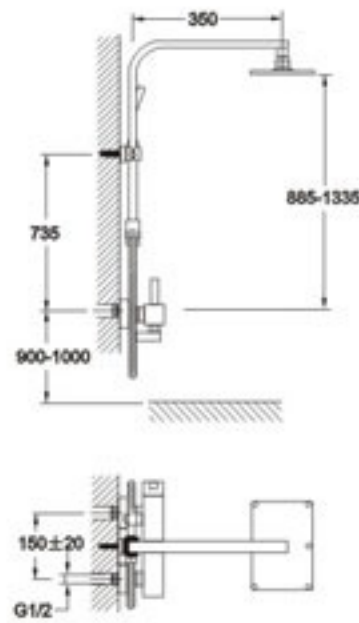
**TM-8872**

**Shower set with exposed connecting system**



**TM-8467-D38**

**Single lever shower mixer with rain shower**  
 Cast brass body  
 Brass handle  
 With brass rain shower/Handshower



# Nova Series



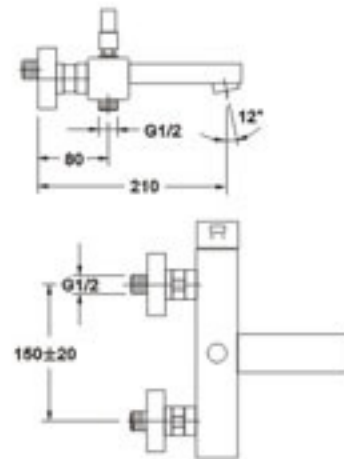
## TM-8107-D38

### Single lever bath/shower mixer

Cast brass body

Brass handle

Full aerator

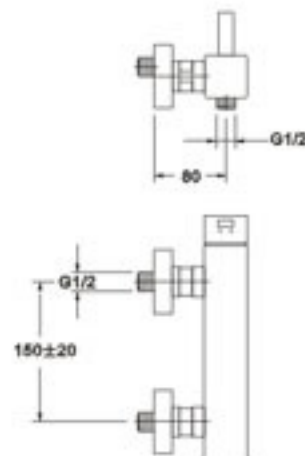


## TM-8407-D38

### Single lever shower mixer

Cast brass body

Brass handle



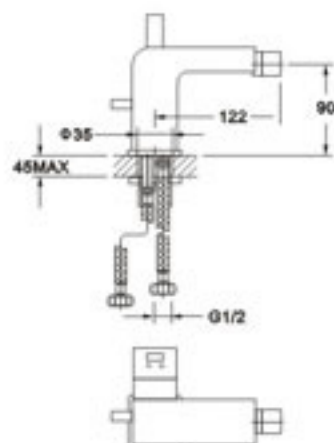
## TM-8507-D37

### Single lever bidet mixer

Cast brass body

Brass handle

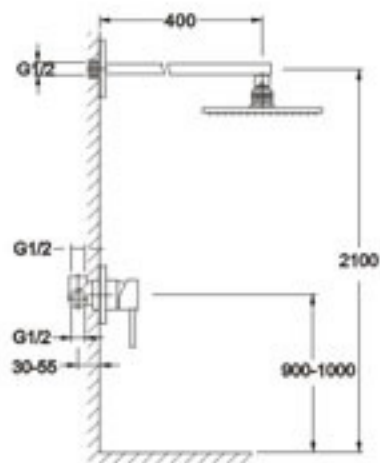
Full aerator





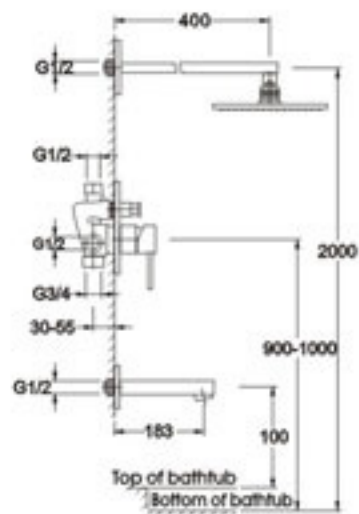
**TM-8367-D38**

**Single lever concealed shower mixer**  
 Forging brass body  
 Brass handle



**TM-8327-D38**

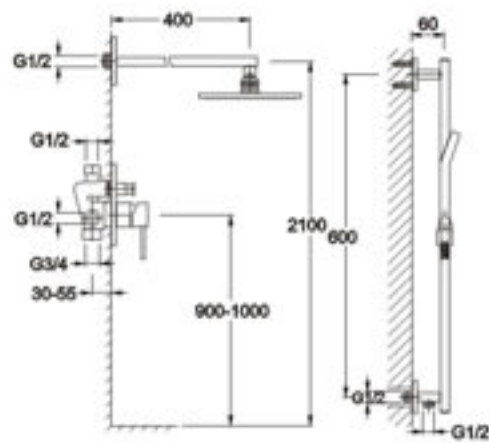
**Single lever concealed bath/shower mixer**  
 Forging brass body  
 Brass handle  
 Full aerator





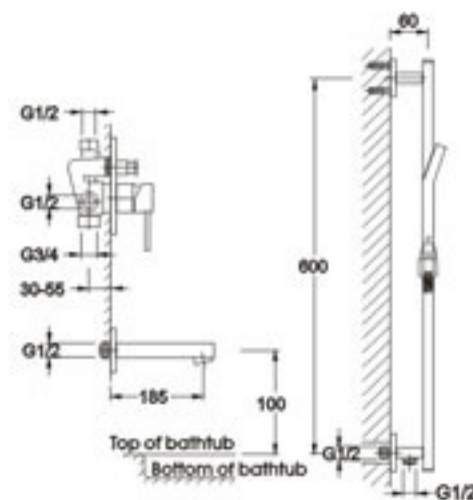
## TM-8325-D38

**Single lever concealed shower mixer with sliding rail set**  
 Forging brass body  
 Brass handle  
 With sliding rail and handshower set



## TM-8326-D38

**Single lever concealed bath/shower mixer with sliding rail set**  
 Forging brass body  
 Brass handle  
 With sliding rail and hand shower set  
 Full aerator



87/88

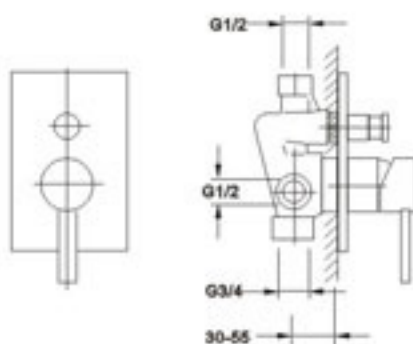


# Nova Series



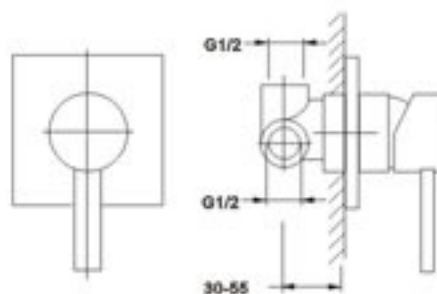
## TM-2037A-D38

Single lever concealed 4-way  
bath/shower mixer with diverter  
Forging brass body  
Brass handle



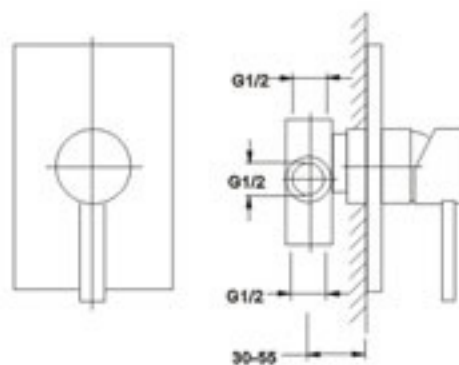
## TM-8303A-D38

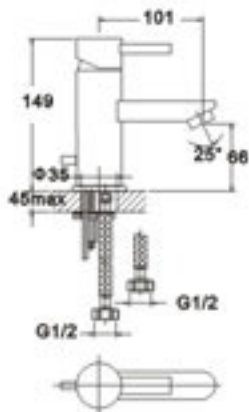
Single lever concealed 3-way shower or  
basin mixer without diverter  
Forging brass body  
Brass handle



## TM-2036A-D38

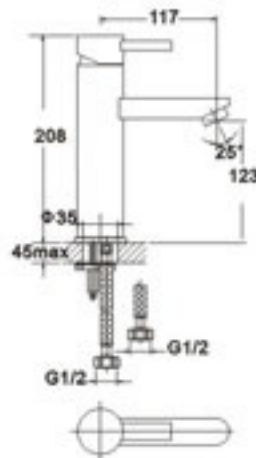
Single lever concealed 4-way  
bath/shower mixer without diverter  
Forging brass body  
Brass handle





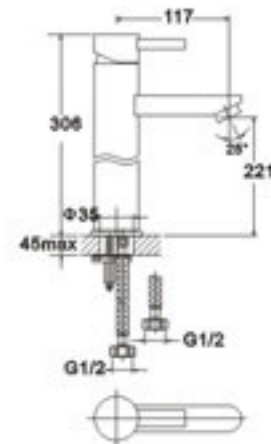
**TM -8261-D50**

**Single lever monobloc basin mixer**  
 Forging brass body  
 Brass handle  
 Full aerator



**TM-8262-D51**

**Single lever monobloc basin mixer**  
 Cast brass body  
 Brass handle  
 Full aerator



**TM- 8267-D51**

**Single lever monobloc basin mixer**  
 Cast brass body  
 Brass handle  
 Full aerator

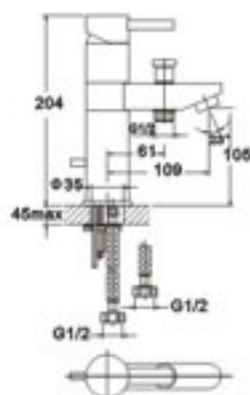
# Oscil Series



## TM-8265-D51

Single lever monobloc basin mixer  
with shower diverter

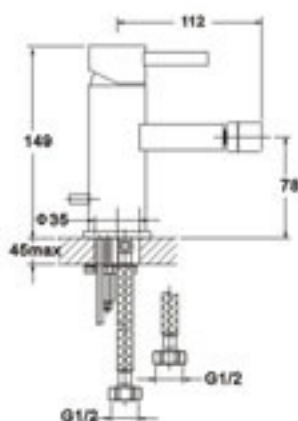
- Cast brass body
- Brass handle
- Full aerator



## TM-8561-D50

Single lever bidet mixer

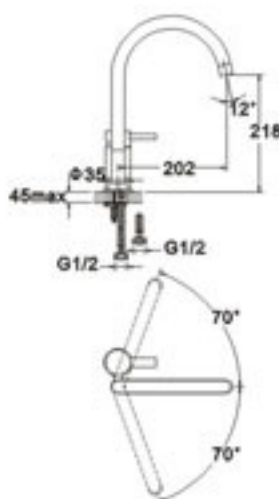
- Forging brass body
- Brass handle
- Full aerator

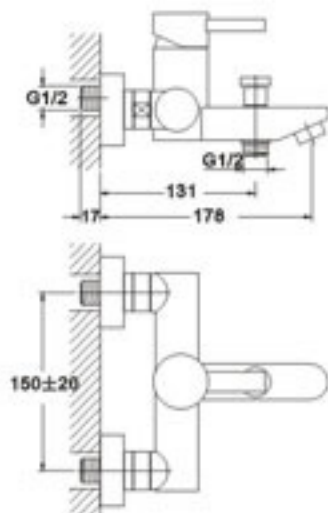


## TM-8761-D51

Single lever sink mixer

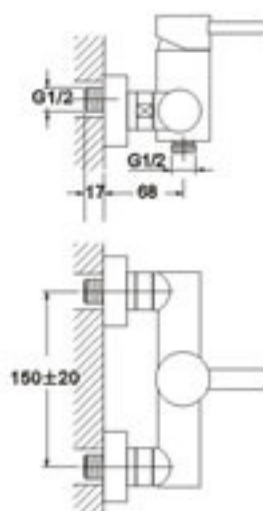
- Forging brass body
- Brass handle
- Full aerator





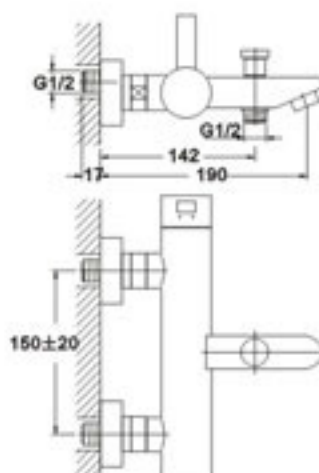
**TM-8161-D51**

**Single lever bath / shower mixer**  
 Cast brass body  
 Brass handle  
 Full aerator



**TM-8461-D51**

**Single lever shower mixer only**  
 Cast brass body  
 Brass handle



**TM-8121-D51**

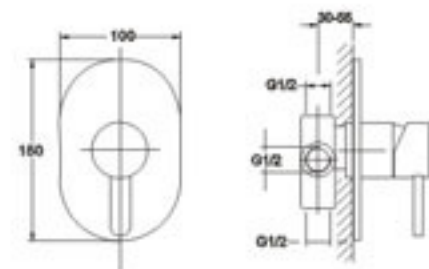
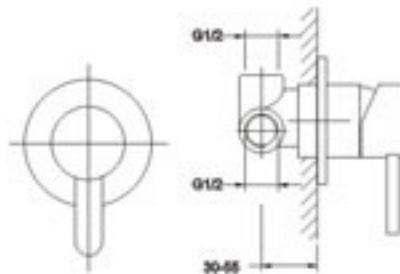
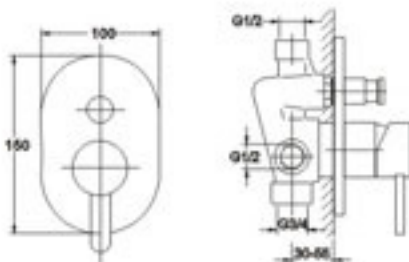
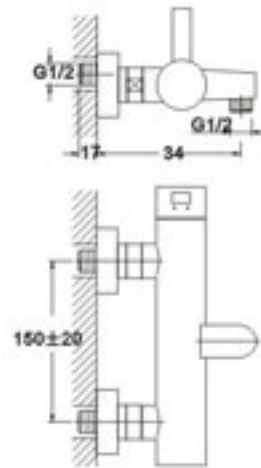
**Single lever bath / shower mixer**  
 Cast brass body  
 Brass handle  
 Full aerator

# Oscil Series



## TM-8421-D51

Single lever shower mixer only  
Cast brass body  
Brass handle



## TM-2037-D51

Single lever concealed 4-way  
bath / shower mixer with diverter  
Forging brass body  
Brass handle

## TM-8303-D51

Single lever concealed 3-way  
shower or basin mixer without diverter  
Forging brass body  
Brass handle

## TM-2036-D51

Single lever concealed 4-way  
bath / shower mixer without diverter  
Forging brass body  
Brass handle

93/94



TM-8463A-D11-8818  
single lever shower mixer  
with rainshower

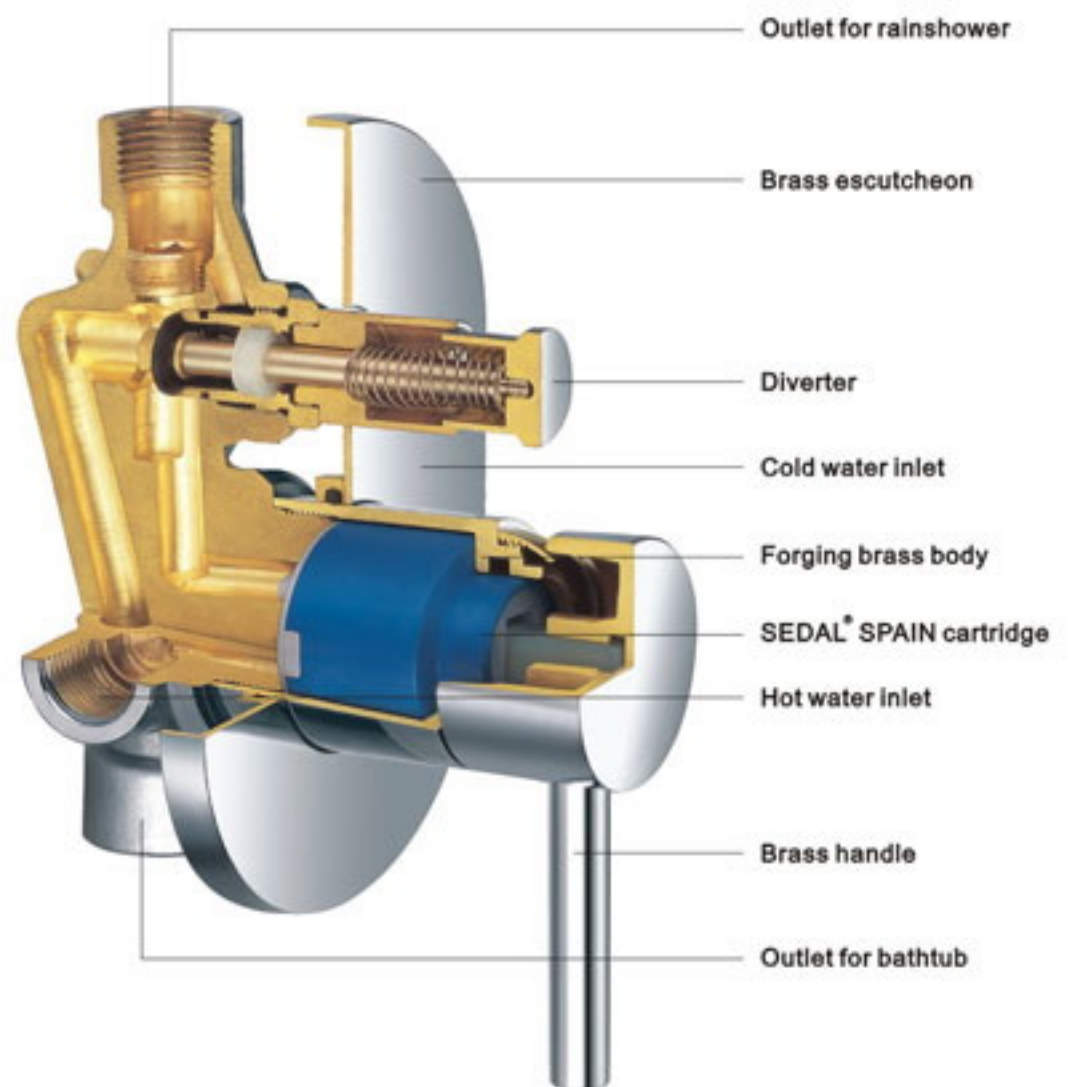
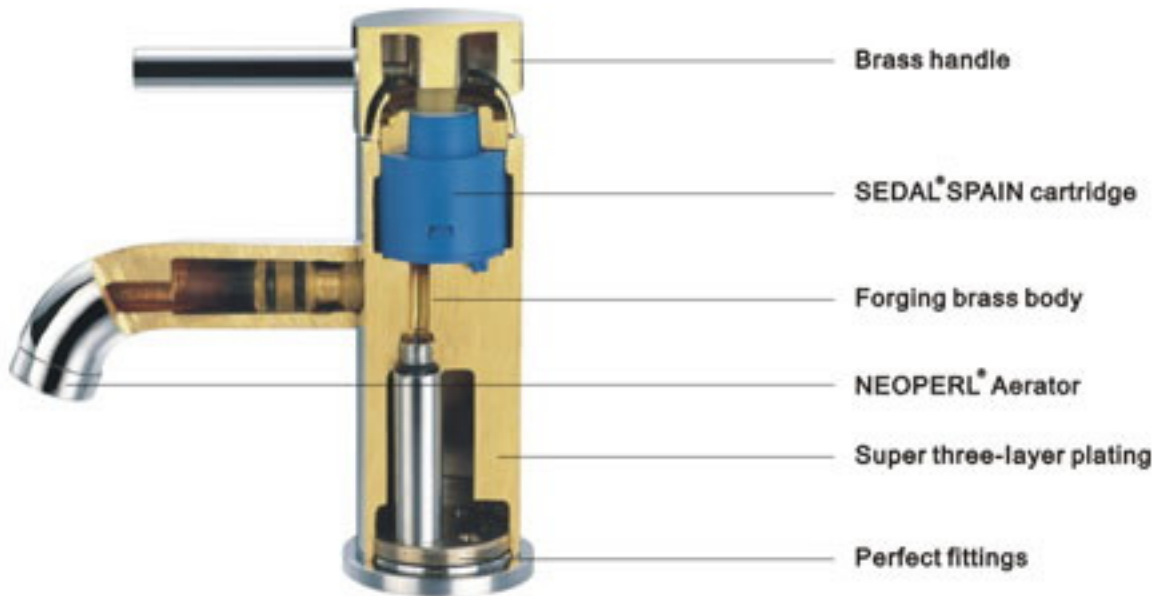


TM-8463A-D11  
single lever shower mixer  
with rainshower



# Century Series

The Century series constitutes a classical urban image characterized by refreshing and gentle

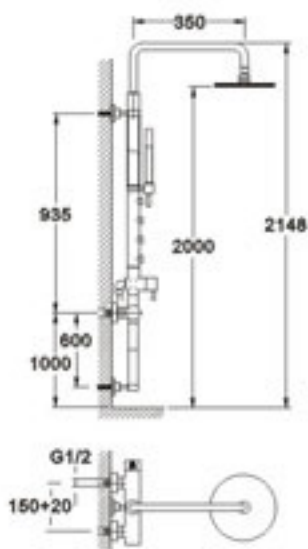




**TM-8425-D11**

**Single lever shower mixer with rain shower and spray massage**

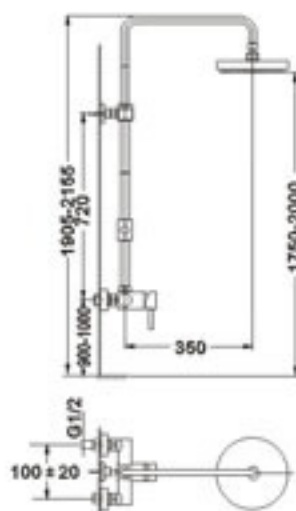
- Cast brass body
- Brass handle
- With brass rain shower/Handshower
- With spray massage jets



**TM-8428A-D11**

**Single lever shower mixer with rain shower**

- Cast brass body
- Brass handle
- With brass rain shower/Handshower



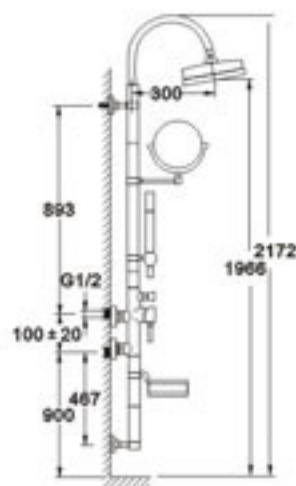
# Century Series



## TM-8420-D22

Single lever shower mixer with rain shower wall mounted

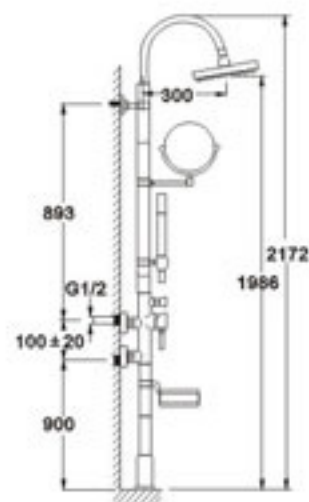
- Cast brass body
- Brass handle
- With brass rain shower/Handshower



## TM-8420A-D22

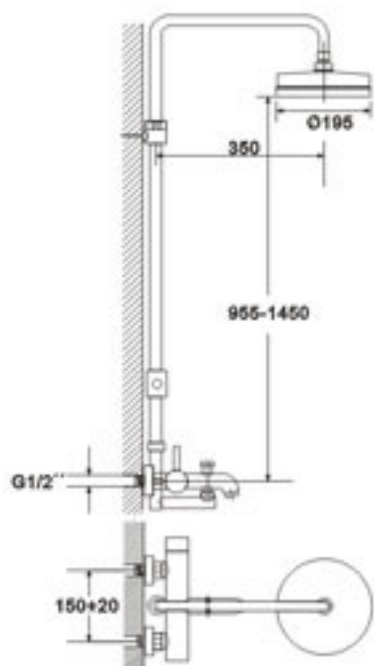
Single lever shower mixer with rain shower floor mounted

- Cast brass body
- Brass handle
- With brass rain shower/Handshower



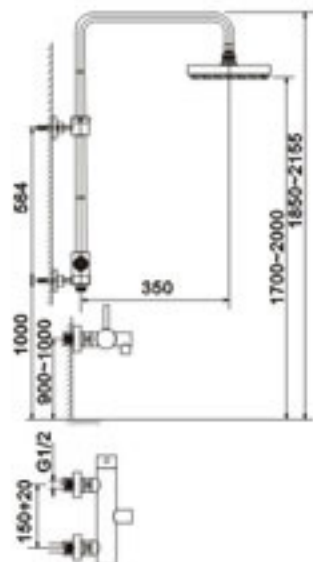
**TM-8163A-D11**

Single lever bath/shower mixer with rain shower  
 Cast brass body  
 Brass handle  
 With brass rain shower/Handshower



**TM-8423-D11-8850A**

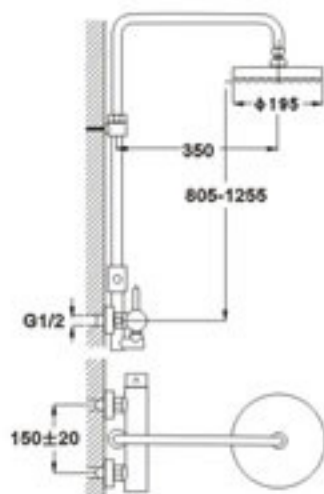
Single lever shower mixer with rain shower  
 Cast brass body  
 Brass handle  
 With brass rain shower/Handshower



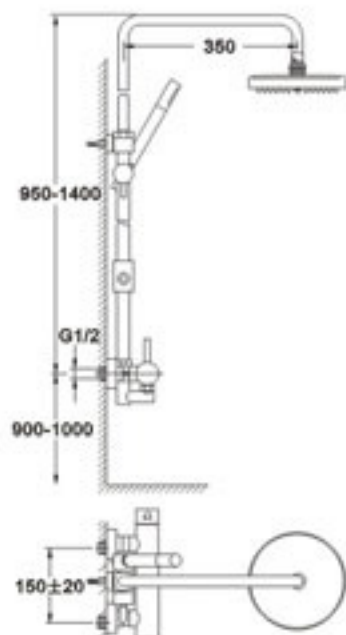
# Century Series



**TM-8463A-D11**  
Single lever shower mixer  
with rain shower  
Cast brass body  
Brass handle  
With brass rain shower/Handshower



**TM-8463A-D11-8818**  
Single lever shower mixer  
with rain shower  
Cast brass body  
Brass handle  
With brass rain shower/Handshower



99/100

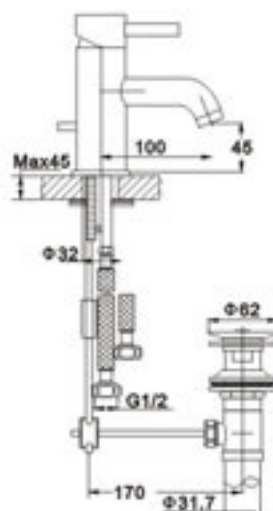


# Century Series



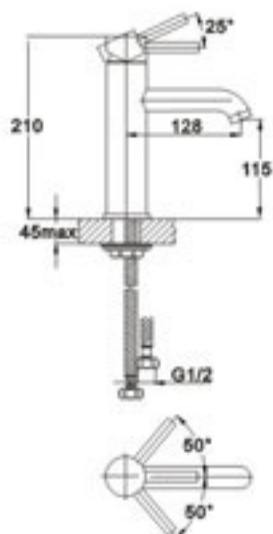
## TM-8228-D10

Single lever monobloc basin mixer  
Forging brass body  
Brass handle  
Full aerator



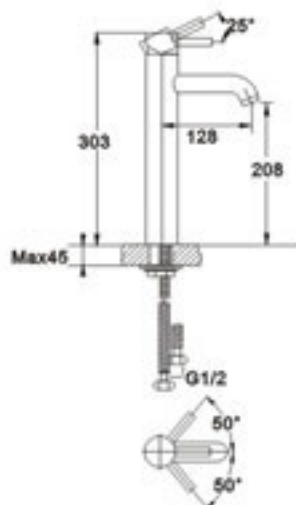
## TM-8263-D11

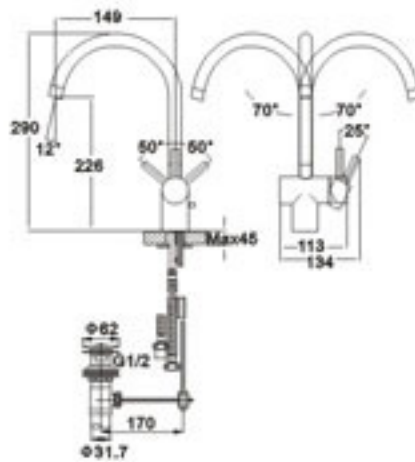
Single lever monobloc basin mixer  
Cast brass body  
Brass handle  
Full aerator



## TM-8268-D11

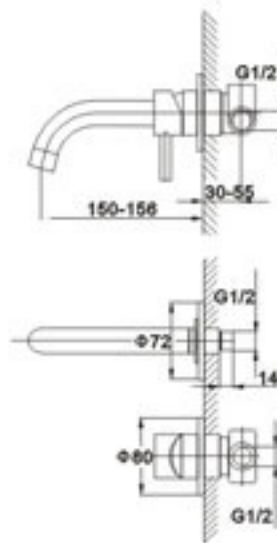
Single lever monobloc basin mixer  
Cast brass body  
Brass handle  
Full aerator





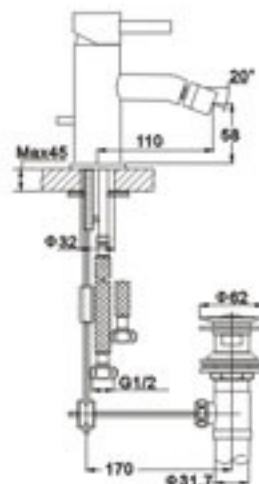
**TM-8224-D10**

**Single lever monobloc basin mixer**  
 Forging brass body  
 Brass handle  
 Full aerator



**TM-8286-D11**

**Single lever concealed basin mixer**  
 Forging brass body  
 Brass handle  
 Full aerator



**TM-8508-D10**

**Single lever bidet mixer**  
 Forging brass body  
 Brass handle  
 Full aerator

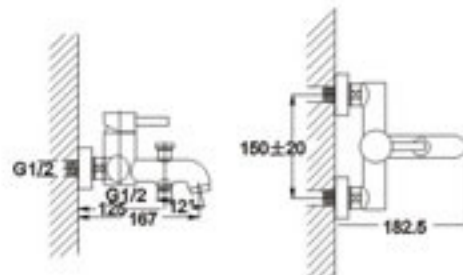


# Century Series



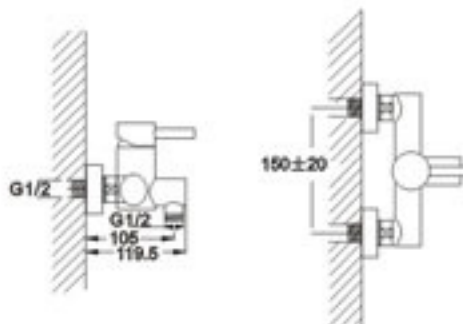
## TM-8108-D11

Single lever bath/shower mixer  
Cast brass body  
Brass handle  
Full aerator



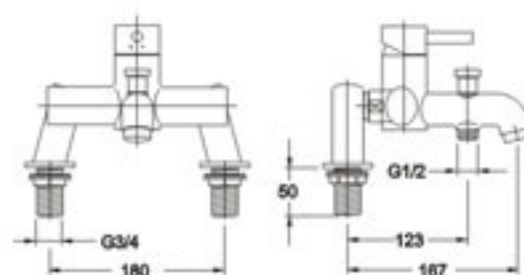
## TM-8408-D11

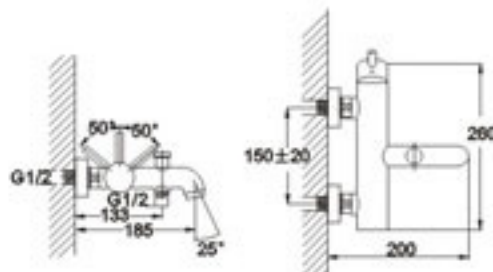
Single lever shower mixer only  
Cast brass body  
Brass handle



## TM-8108Z-D11

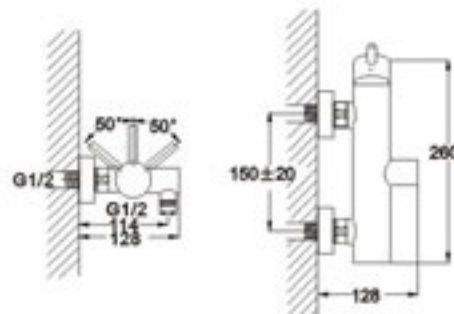
Single lever bath/shower mixer  
deck mounted  
Cast brass body  
Brass handle  
Full aerator





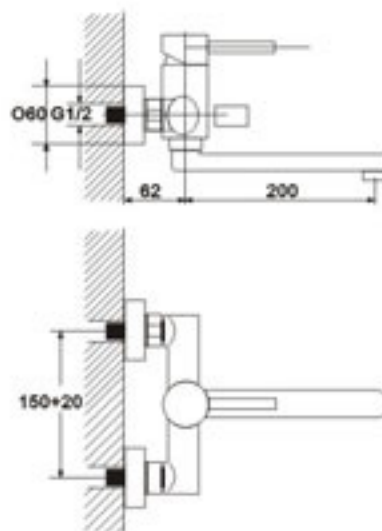
**TM-8123-D11**

**Single lever bath/shower mixer**  
 Cast brass body  
 Brass handle  
 Full aerator



**TM-8423-D11**

**Single lever shower mixer only**  
 Cast brass body  
 Brass handle



**TM-8708-D11**

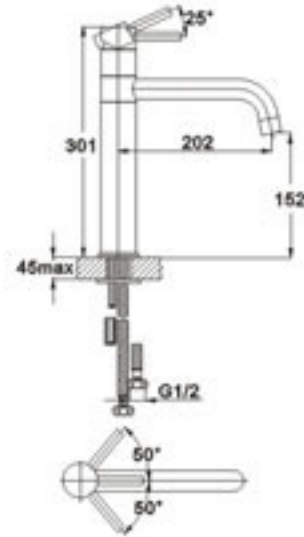
**Single lever sink mixer wall-mounted**  
 Cast brass body  
 Brass handle  
 Full aerator

# Century Series



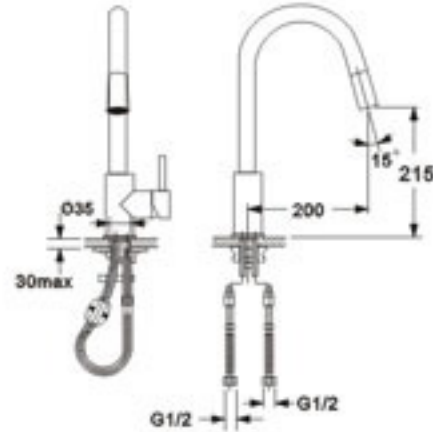
## TM-8728-D11

Single lever sink mixer  
Cast brass body  
Brass handle  
Full aerator



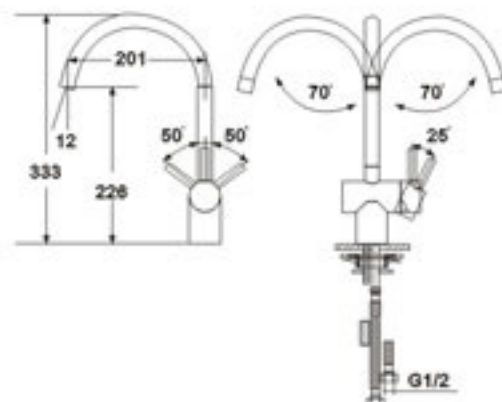
## TM-8781-D11

Single lever sink mixer  
Cast brass body  
Brass handle  
Full aerator



## TM-8723-D10

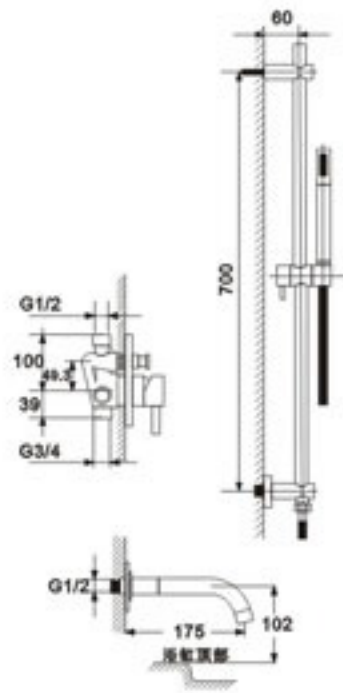
Single lever sink mixer  
Forging brass body  
Brass handle  
Full aerator





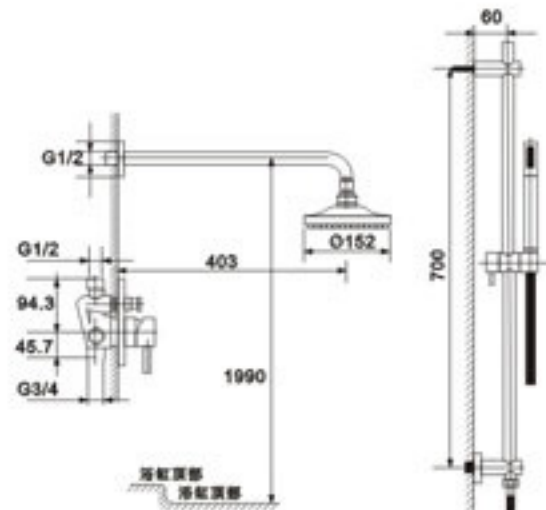
**TM-8322-D11**

**Single lever concealed bath/shower mixer with sliding rail set**  
 Forging brass body  
 Brass handle  
 With sliding rail and handshower set  
 Full aerator



**TM-8323-D11**

**Single lever concealed shower mixer with sliding rail set**  
 Forging brass body  
 Brass handle  
 With sliding rail and handshower set

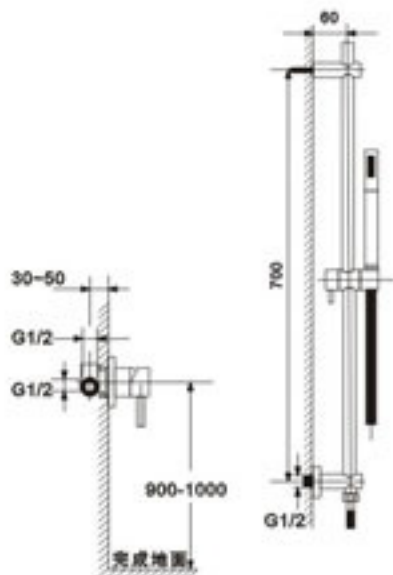


# Century Series



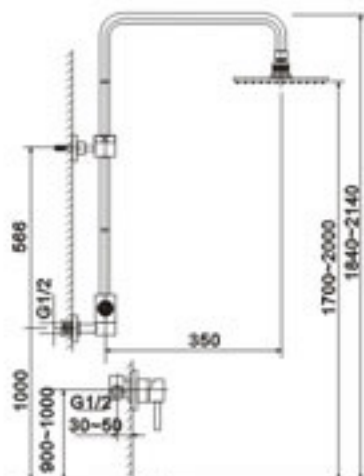
## TM-8361-D11

**Single lever concealed shower mixer with sliding rail set**  
Forging brass body  
Brass handle  
With sliding rail and handshower set

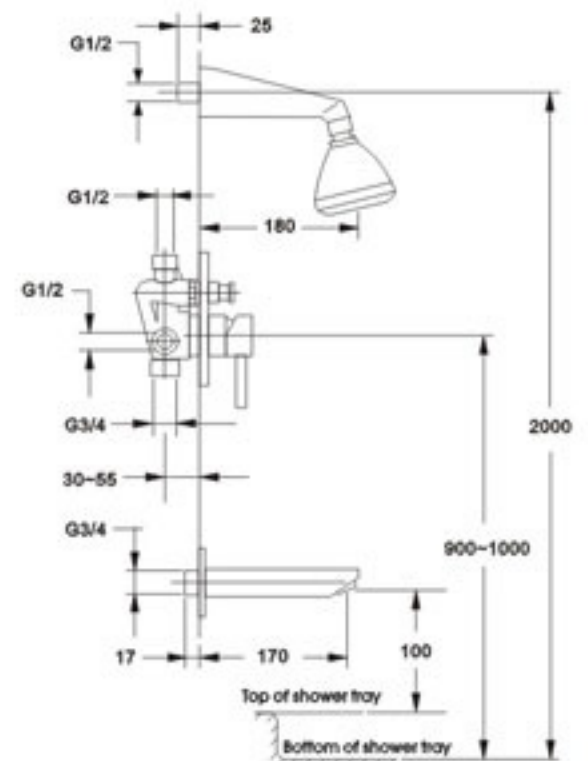


## TM-8303-D11-8851A

**Single lever shower mixer with rain shower**  
Cast brass body  
Brass handle  
With brass rain shower/Handshower



107/108



**TM 8328-D11**

**Single lever concealed bath/shower mixer**

Forging brass body

Brass handle

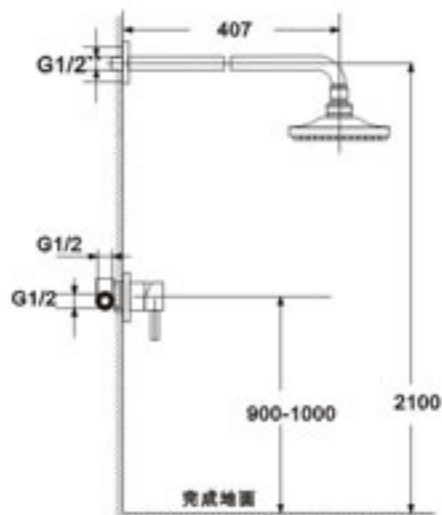
Full aerator

# Century Series



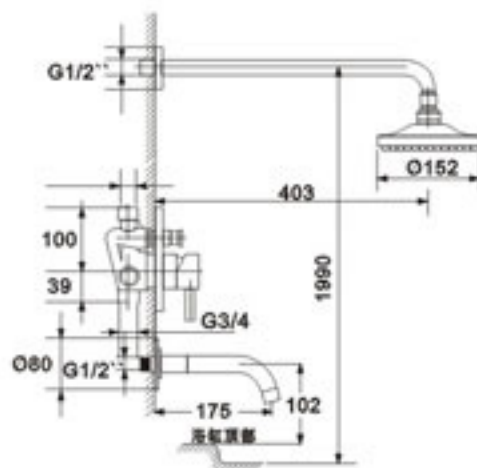
## TM-8360-D11

Single lever concealed shower mixer  
Forging brass body  
Brass handle



## TM-8320-D11

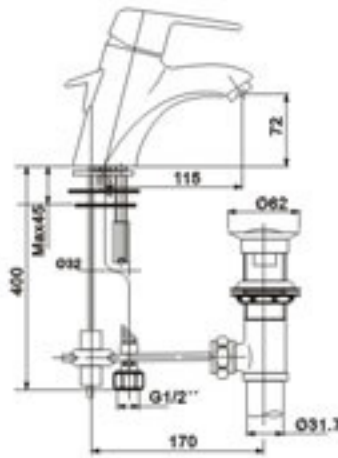
Single lever concealed bath/shower mixer  
Forging brass body  
Brass handle  
Full aerator



109/110

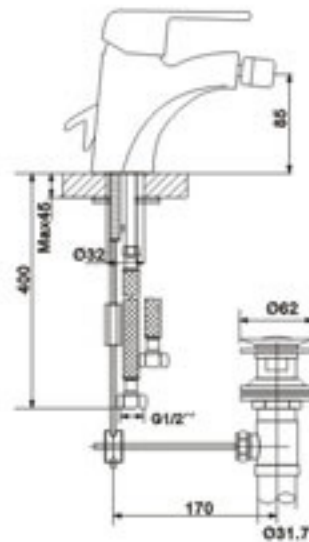


The comforts series is a classical and timeless line, combining distinctive appearance and curvy



**TM-8222-DB5**

**Single lever monobloc basin mixer**  
Cast brass body  
Die cast brass handle  
Full aerator



**TM-8502-DB5**

**Single lever bidet mixer**  
Cast brass body  
Die cast brass handle  
Full aerator

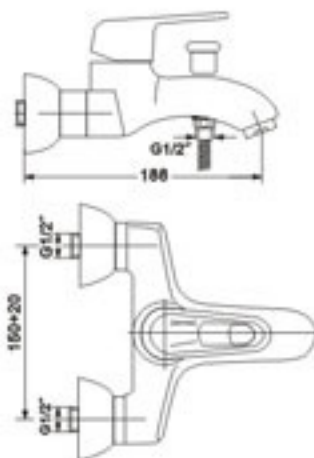


# Comfort Series



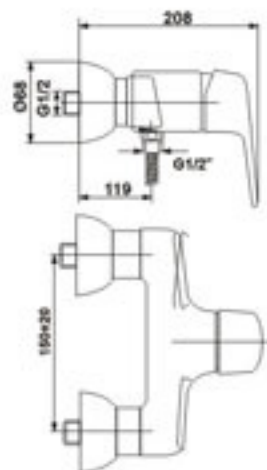
## TM-8102-DB5

Single lever bath/shower mixer  
Cast brass body  
Die cast brass handle  
Full aerator



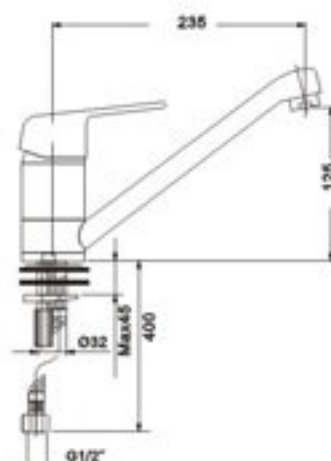
## TM-8402-DB5

Single lever shower mixer only  
Cast brass body  
Die cast brass handle



## TM-2071-DB5

Single lever sink mixer  
Brass body  
Die cast brass handle  
Full aerator



111/112



## Smart Series



If you are seeking for an exquisite and cutie style, then the smart series is the ideal one that accommodates your preference. It stands out by the smart shape with refined curvy lines which is suitable for limited space, e.g. An office-located basin. A counterpart of primary size is also offered in this





**TM-9889B-D75**  
Single lever monobloc basin mixer



**TM-9889A-D75**  
Single lever monobloc basin mixer



**TM-9889-D75**  
Single lever monobloc basin mixer



**TM-9829-D63**  
Single lever monobloc basin mixer



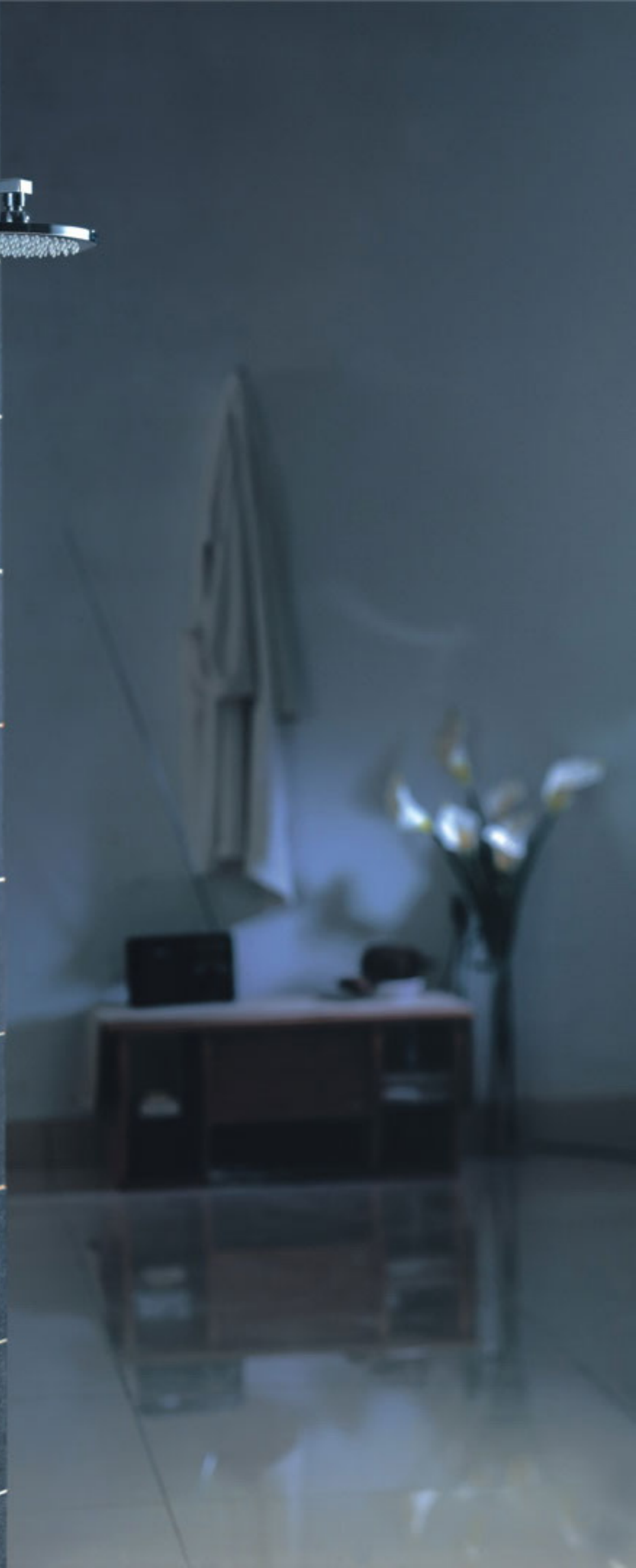
**TM-8189-D69**  
Single lever bath/shower mixer

The bath/shower mixer from the Smart series features a refined design that is simple and restrained without sacrificing durability or functionality.



**TM-8489-D69**  
Single lever shower mixer

115/116





The wall-mounted basin mixer is made by forging technique, easy for operation. The smart design of this delicate series exudes an everlasting charm during the tranquil time passing.



**TM-8369-D59**  
Single lever concealed shower mixer



**TM-2299-D70**  
Single lever concealed basin mixer



**TM-8303-D59**  
Single lever concealed 3-way bath/shower mixer with diverter

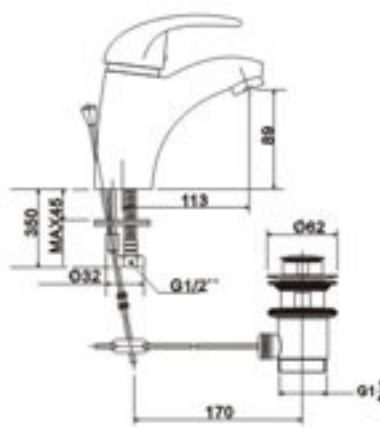


**TM-9903-D59**  
Single lever concealed 5-way bath/shower mixer with diverter



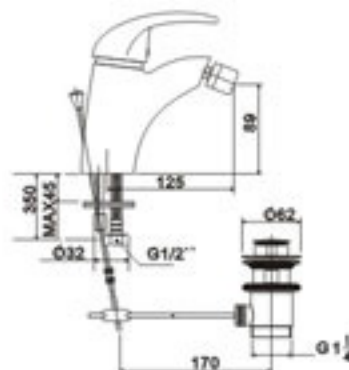
**TM-2037-D59**  
Single lever concealed 4-way bath/shower mixer with diverter

117/118



**TM-8801**

**Single lever monobloc basin mixer**  
Cast brass body  
Die cast zinc handle  
Full aerator



**TM-8806**

**Single lever bidet mixer**  
Cast brass body  
Die cast zinc handle  
Full aerator

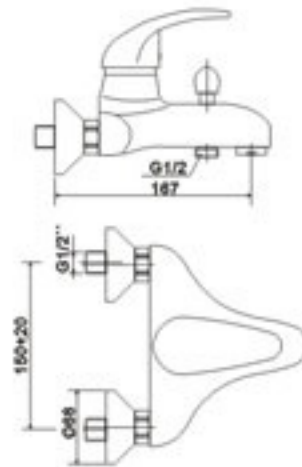


# Caesar Series



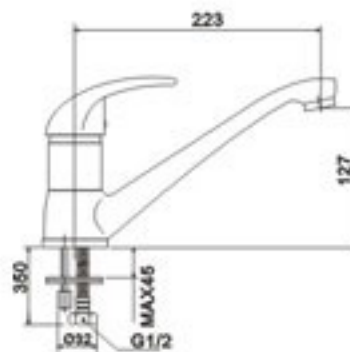
## TM-8802

**Single lever bath / shower mixer**  
Cast brass body  
Die cast zinc handle  
Full aerator



## TM-8803

**Single lever sink mixer**  
Brass body  
Die cast brass spout  
Full aerator



119/120

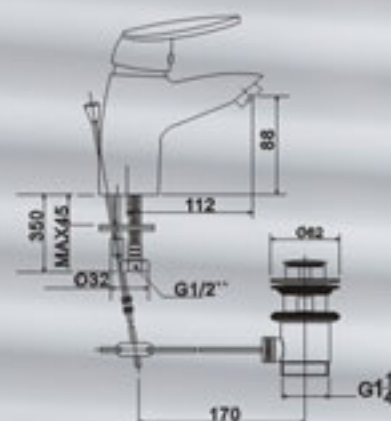
**TM-80801**

**Single lever basin mixer**

Cast brass body

Die cast zinc handle

Full aerator



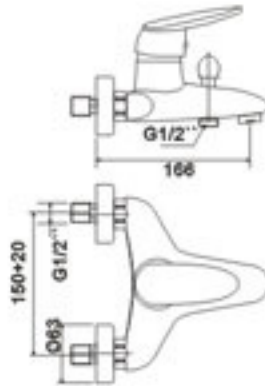
# Milano Series



## TM-80802

### Single lever bath / shower mixer

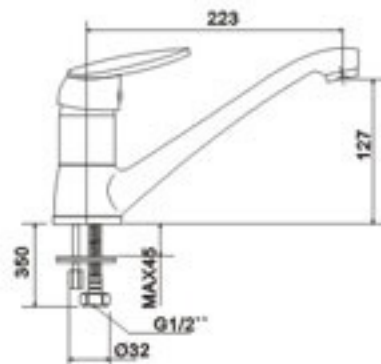
- Cast brass body
- Die cast zinc handle
- Full aerator



## TM-80803

### Single lever sink mixer

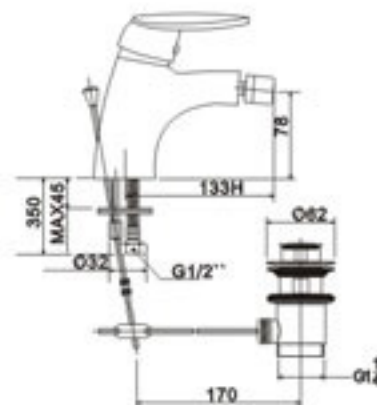
- Cast brass body
- Die cast zinc handle
- Die cast brass spout
- Full aerator



## TM-80806

### Single lever bidet mixer

- Cast brass body
- Die cast brass handle
- Full aerator



121/122

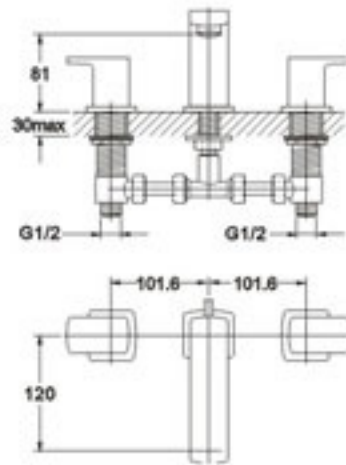


# TECHNO

DUAL HANDLES LINE  
AND  
DECK MOUNTED BATH LINE

## TM-8239C-635

Two-handle 8" basin mixer  
Forging brass body  
Brass handle  
Full aerator



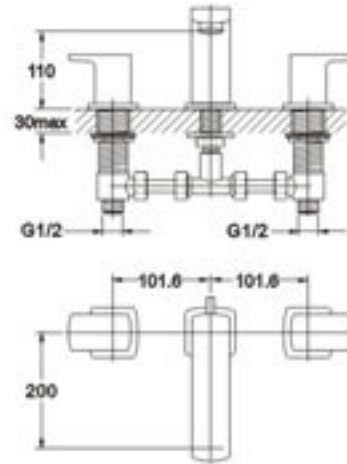
# Gallant Series



## TM-8139BC-637

### 3-hole bath mixer deck-mounted

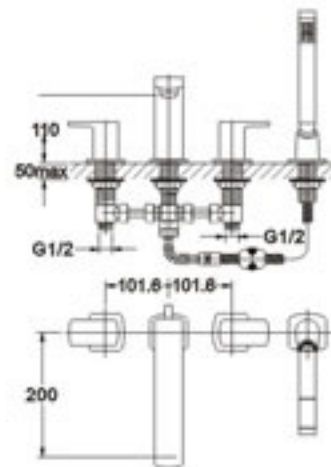
Forging brass body  
Brass handle  
Full aerator



## TM-8139C-637

### 4-hole bath/shower mixer deck-mounted

Forging brass body  
Brass handle  
With handshower set  
Full aerator



## TM-8179C-637

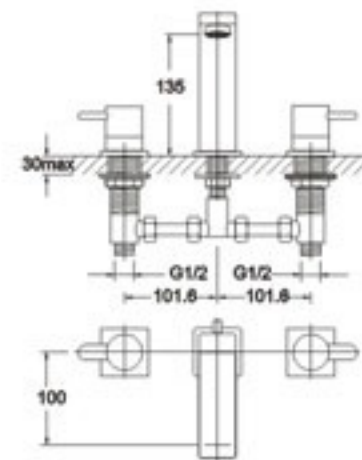
### 5-hole bath/shower mixer deck-mounted

Forging brass body  
Brass handle  
With handshower set  
Full aerator



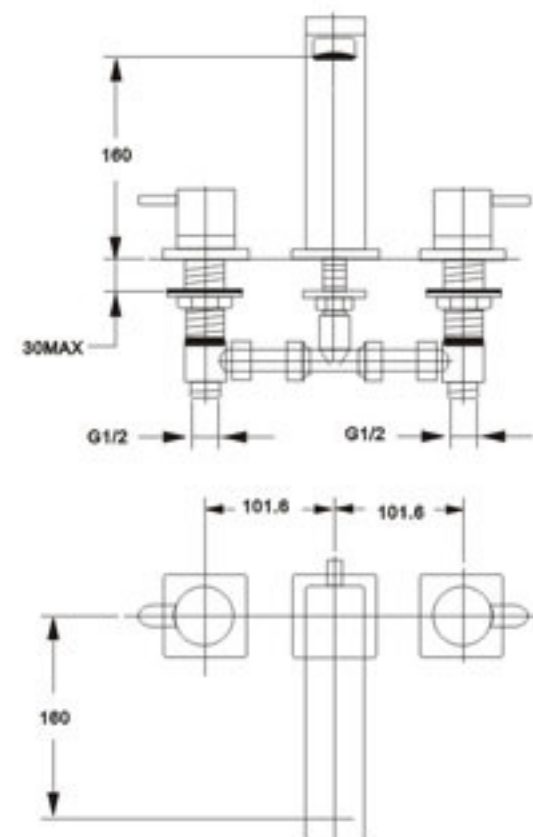
**TM-8210C-638**

**Two-handle 8" basin mixer**  
 Forging brass body  
 Brass handle  
 Full aerator



**TM-8110BC-650**

**3-hole bath mixer deck-mounted**  
 Forging brass body  
 Brass handle  
 Full aerator



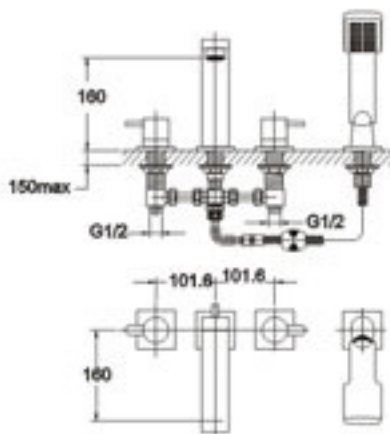
# Serena Series



## TM-8110C-650

### 4-hole bath/shower mixer deck-mounted

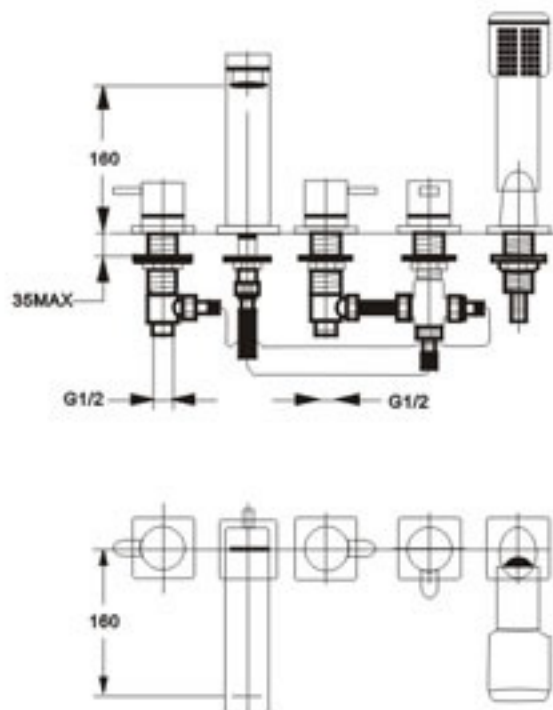
Forging brass body  
Brass handle  
With handshower set  
Full aerator



## TM-8130C-650

### 5-hole bath/shower mixer deck-mounted

Forging brass body  
Brass handle  
With handshower set  
Full aerator



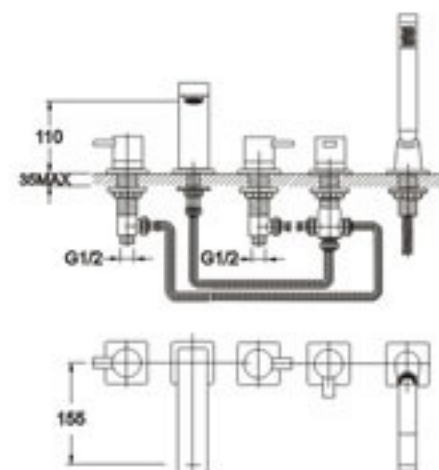
**TM-8115C-629****5-hole bath/ shower mixer deck-mounted**

Forging brass body

Brass handle

With handshower set

Full aerator





# Nova Series



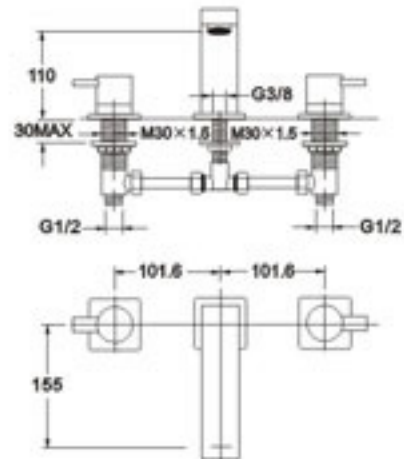
## TM-8112BC-629

### 3-hole bath mixer deck-mounted

Forging brass body

Brass handle

Full aerator



## TM-8112C-629

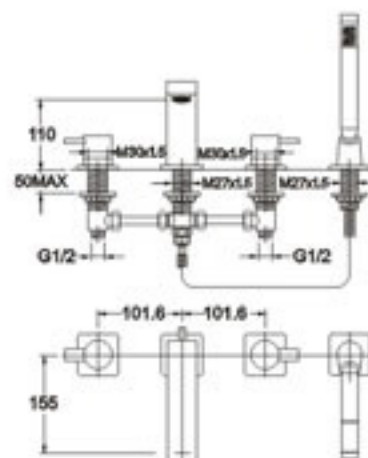
### 4-hole bath/ shower mixer deck-mounted

Forging brass body

Brass handle

With handshower set

Full aerator





**TM-8127A-D39**

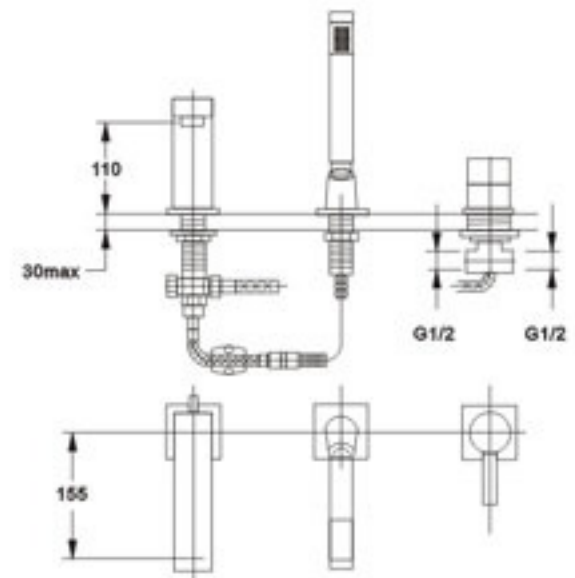
**Single lever bath/shower mixer  
deck-mounted**

Forging brass body

Brass handle

With handshower set

Full aerator



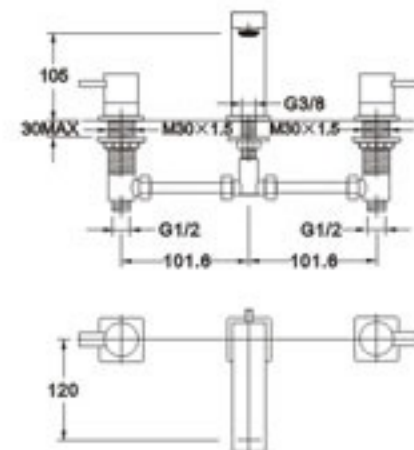
**TM-8237C-628**

**Two-handle 8" basin mixer**

Forging brass body

Brass handle

Full aerator



# Nova Series



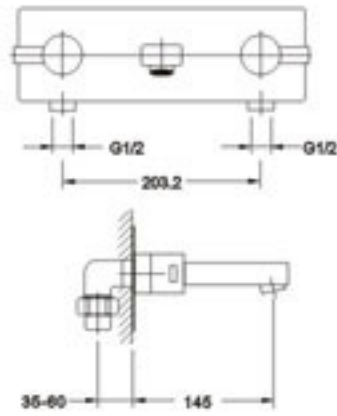
## TM-8257C-628

Two-handle basin mixer wall-mounted

Cast brass body

Brass handle

Full aerator



129/130

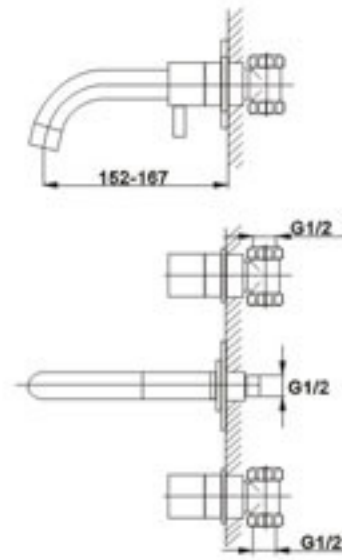


# Century Series



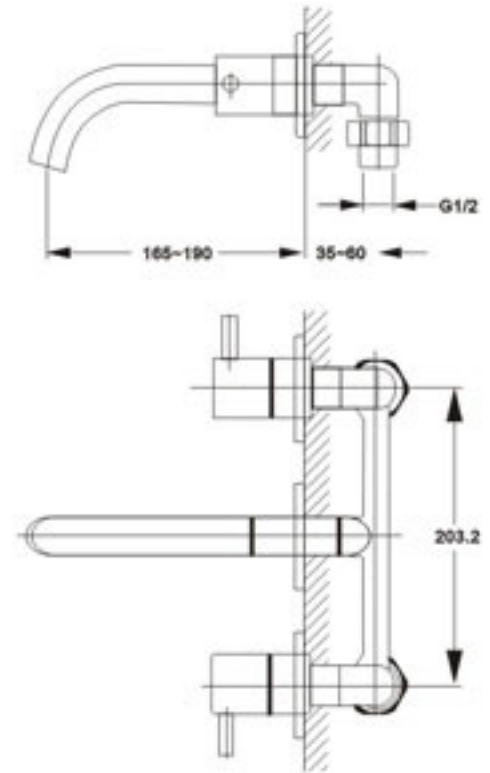
## TM-8258C-608

**Two-handle basin mixer wall-mounted (Isolated body)**  
 Cast brass body  
 Brass handle  
 Full aerator



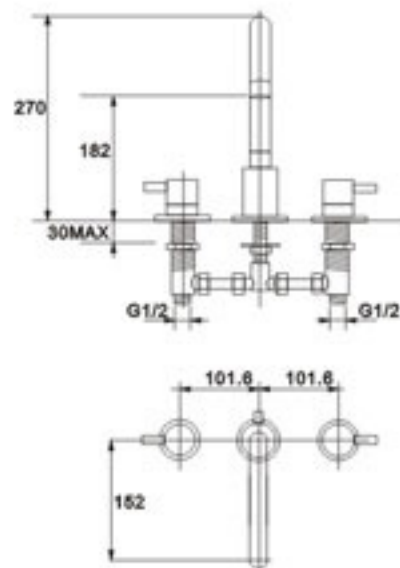
## TM-8258AC-608

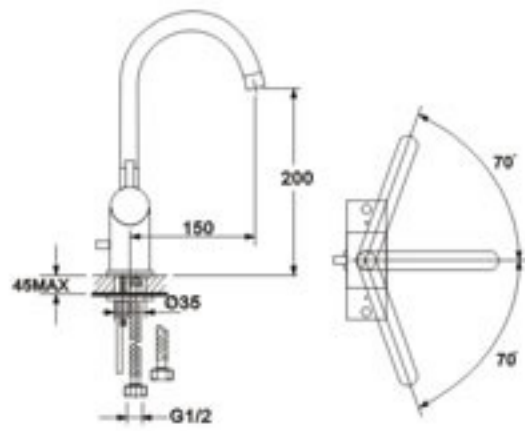
**Two-handle basin mixer wall-mounted (Integrated body)**  
 Cast brass body  
 Brass handle  
 Full aerator



## TM-8218C-608

**Two-handle 8" basin mixer**  
 Forging brass body  
 Brass handle  
 Full aerator



**TM-8219C-626**

**Two-handle 8" basin mixer**  
 Forging brass body  
 Brass handle  
 Full aerator

**TM-8718C-626**

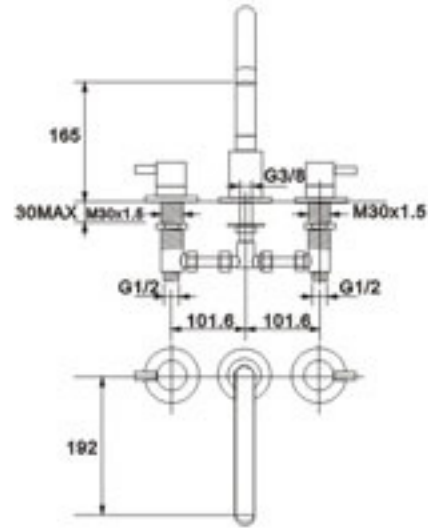
**Two-handle kitchen mixer**  
 Forging brass body  
 Brass handle  
 Full aerator

# Century Series



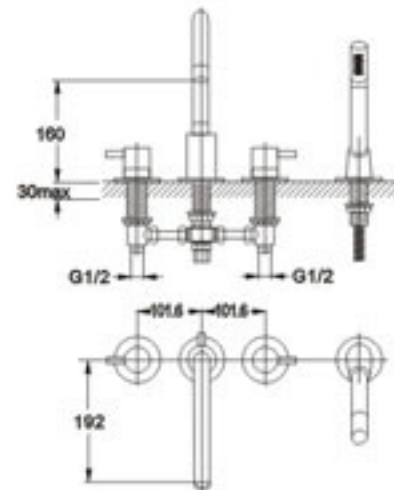
## TM-8118BC-608

**3-hole bath mixer deck-mounted**  
Forging brass body  
Brass handle  
Full aerator



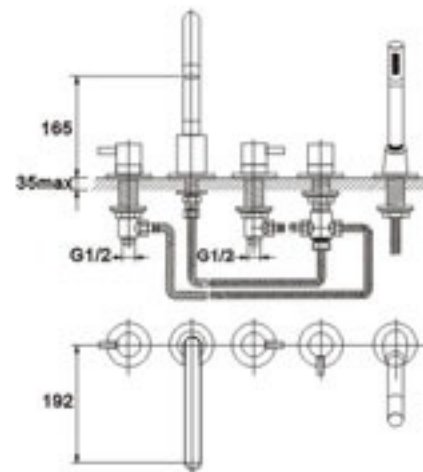
## TM-8118C-608

**4-hole bath/shower mixer deck-mounted**  
Forging brass body  
Brass handle  
With handshower set  
Full aerator



## TM-8119AC-608

**5-hole bath/shower mixer deck-mounted**  
Forging brass body  
Brass handle  
With handshower set  
Full aerator



133/134



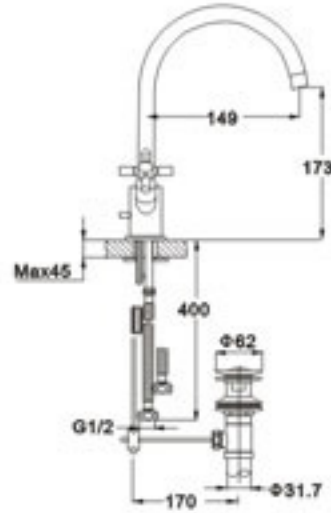


# Eili Series



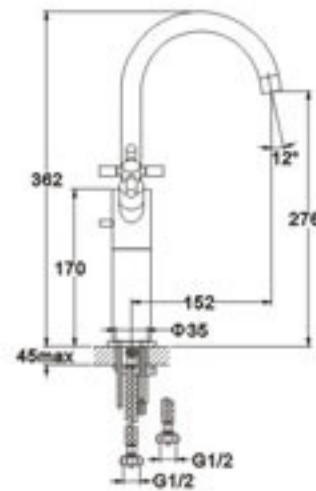
## TM-8217C-617

**Two-handle monobloc basin mixer**  
Forging brass body  
Brass handle  
Full aerator



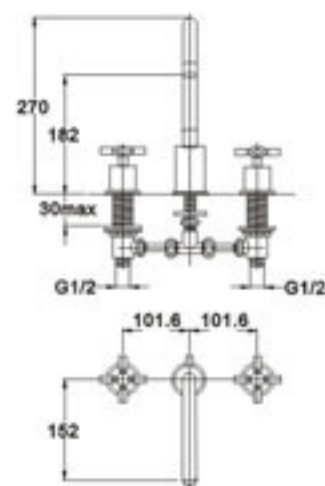
## TM-8217AC-617

**Two-handle monobloc basin mixer**  
Forging brass body  
Brass handle  
Full aerator



## TM-8218C-617

**Two-handle 8" basin mixer**  
Forging brass body  
Brass handle  
Full aerator

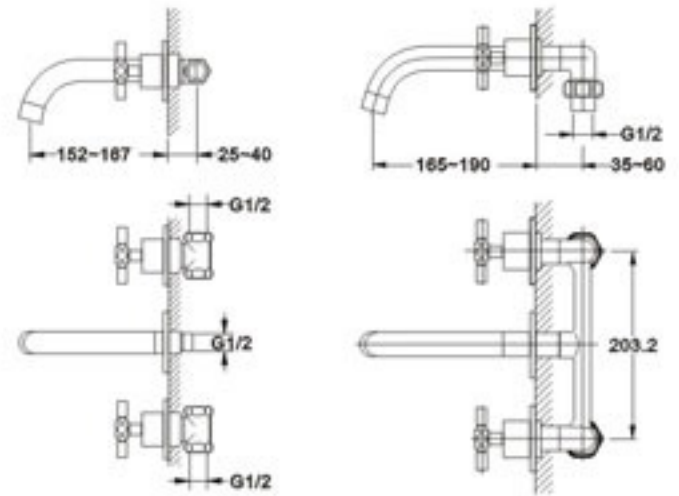




**TM-8258C-617**  
**Two-handle basin mixer wall-mounted(Isolated body)**  
 Cast brass body  
 Brass handle  
 Full aerator



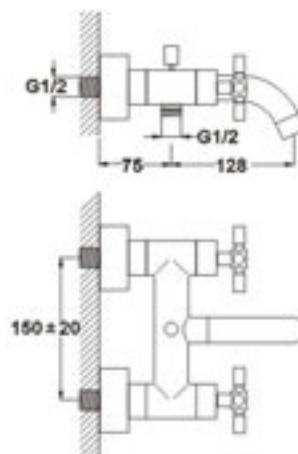
**TM-8258AC-617**  
**Two-handle basin mixer wall-mounted(Integrated body)**  
 Cast brass body  
 Brass handle  
 Full aerator



**TM-8258C-617**

**TM-8258AC-617**

**TM-8117C-617**  
**Two-handle bath/shower mixer**  
 Cast brass body  
 Brass handle  
 Full aerator

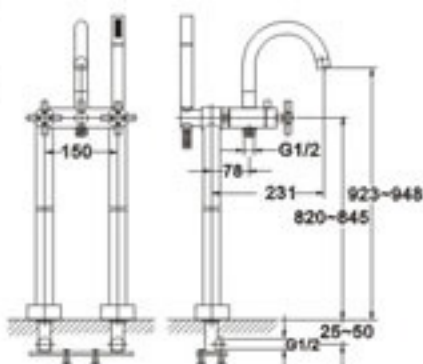


# Eili Series



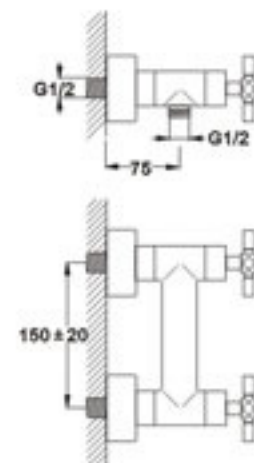
## TM-8116C-617-8819

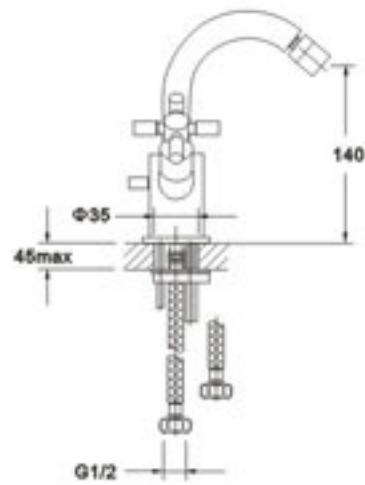
**Two-handle bath/shower mixer floor mounted**  
Cast brass body  
Brass handle  
Full aerator  
With shower set



## TM-8417C-617

**Two-handle shower mixer only**  
Cast brass body  
Brass handle

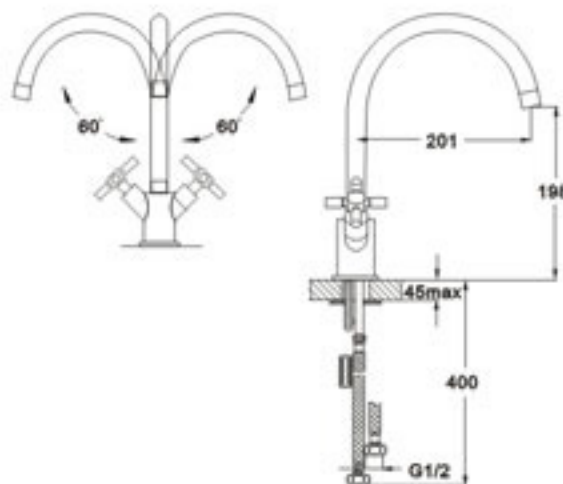


**TM-8517C-617****Two-handle bidet mixer**

Cast brass body

Brass handle

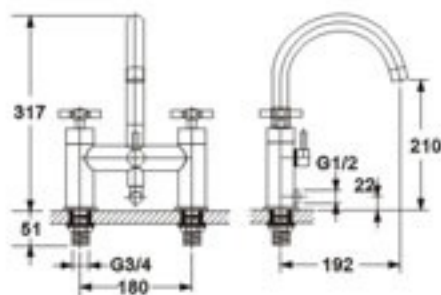
Full aerator

**TM-8717C-617****Two-handle sink mixer**

Forging brass body

Brass handle

Full aerator

**TM-8136C-617****Two-handle bath/shower mixer  
deck mounted**

Cast brass body

Brass handle

Full aerator

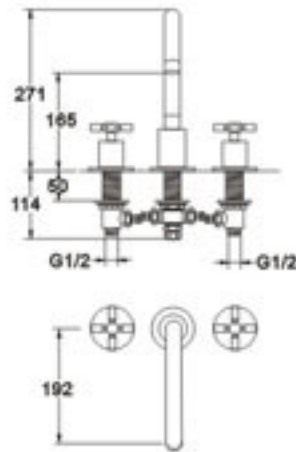
# Eili Series



## TM-8118BC-617

### 3-hole bath mixer deck-mounted

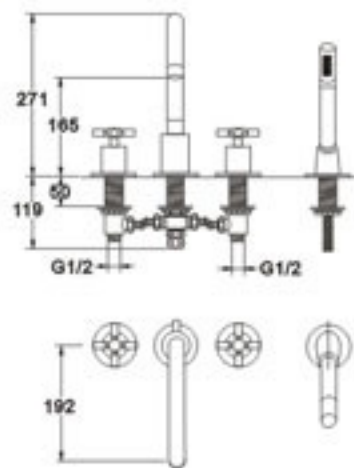
Forging brass body  
Brass handle  
Full aerator



## TM-8118C-617

### 4-hole bath/shower mixer deck-mounted

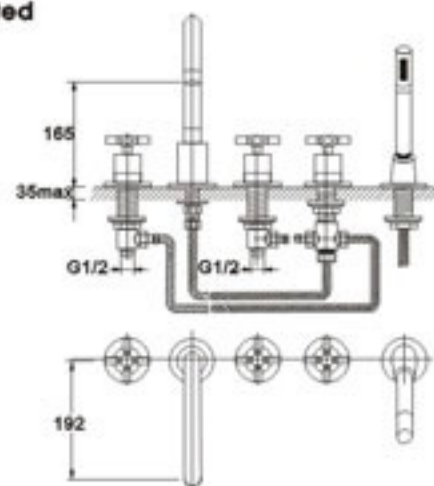
Forging brass body  
Brass handle  
With handshower set  
Full aerator

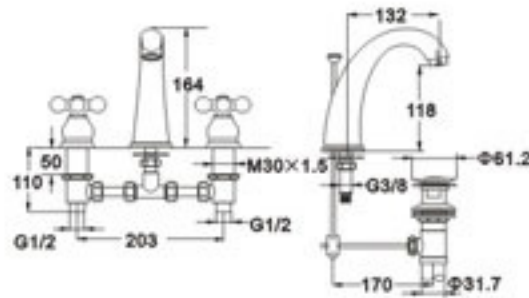


## TM-8119AC-617

### 5-hole bath/shower mixer deck-mounted

Forging brass body  
Brass handle  
With handshower set  
Full aerator

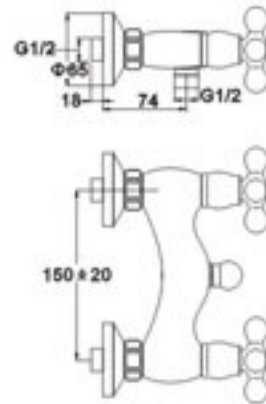




**TM-8212C-695**

**Two-handle 8" basin mixer**

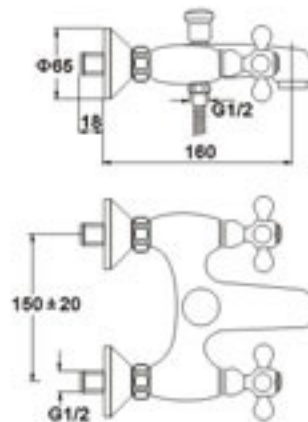
Cast brass body  
Die cast brass handle  
Full aerator



**TM-8412C-695**

**Two-handle shower mixer only**

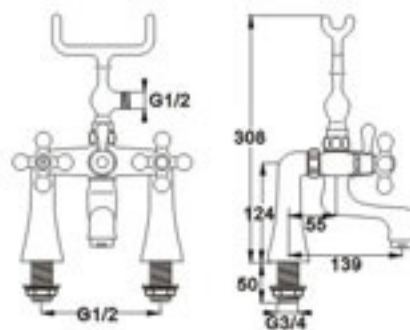
Cast brass body  
Die cast brass handle



**TM-8111C-695**

**Two-handle bath/shower mixer**

Cast brass body  
Die cast brass handle  
Full aerator



**TM-2016ZC-695**

**Two-handle bath/shower mixer deck-mounted**

Cast brass body  
Die cast brass handle  
Full aerator

**TM-2016C-695**

**Two-handle bath/shower mixer wall mounted**

Cast brass body  
Die cast brass handle  
Full aerator

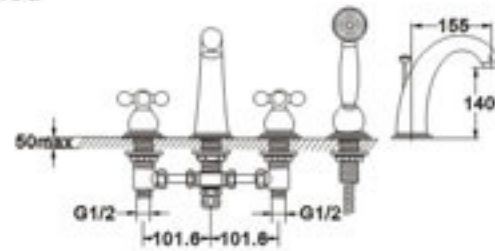
# Elegant Series



## TM-8131C-695

### 4-hole bath/shower mixer deck-mounted

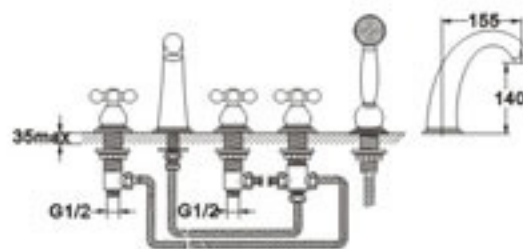
- Forging brass body
- Brass handle
- With handshower set
- Full aerator



## TM-8132C-695

### 5-hole bath/shower mixer deck-mounted

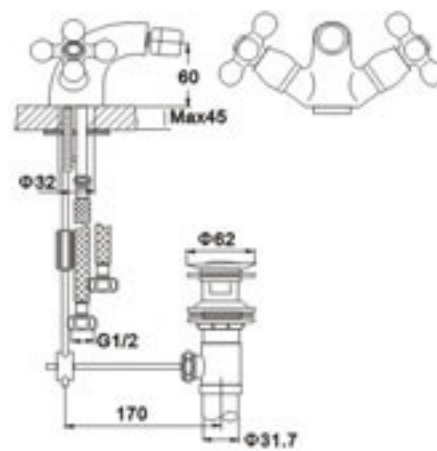
- Forging brass body
- Brass handle
- With handshower set
- Full aerator



## TM-8511C-695

### Two-handle bidet mixer

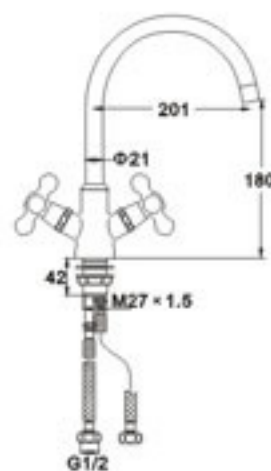
- Cast brass body
- Die cast brass handle
- Full aerator

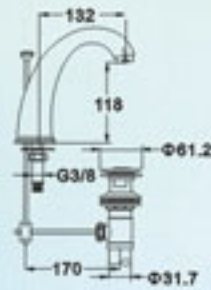


## TM-2710C-695

### Two-handle sink mixer

- Cast brass body
- Die cast brass handle
- Full aerator

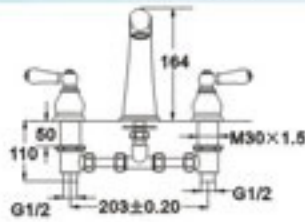




**TM-8212C-603**

**Two-handle 8" basin mixer**

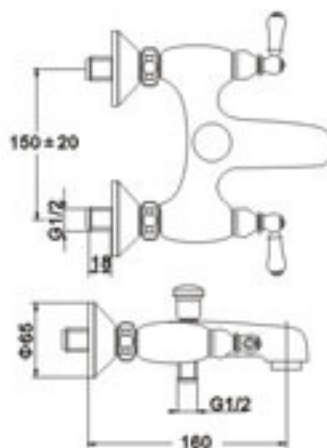
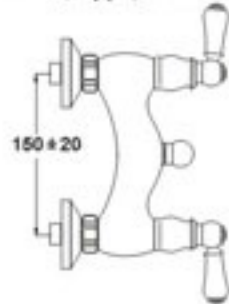
- Cast brass body
- Die cast brass handle
- Full aerator



**TM-8412C-603**

**Two-handle shower mixer only**

- Cast brass body
- Die cast brass handle



**TM-8111C-603**

**Two-handle bath/shower mixer**

- Cast brass body
- Die cast brass handle
- Full aerator



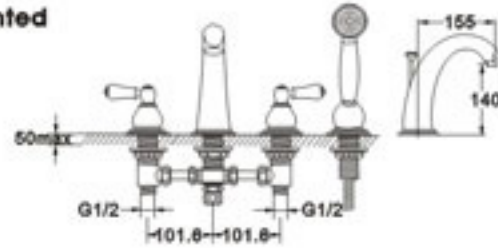
# Calibro Series



## TM-8131C-603

### 4-hole bath/shower mixer deck-mounted

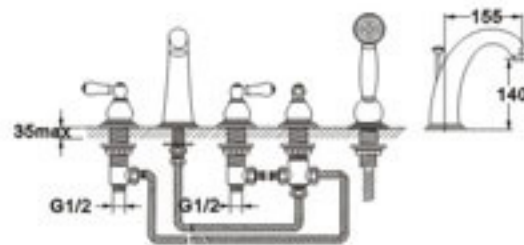
Forging brass body  
Brass handle  
With handshower set  
Full aerator



## TM-8132C-603

### 5-hole bath/shower mixer deck-mounted

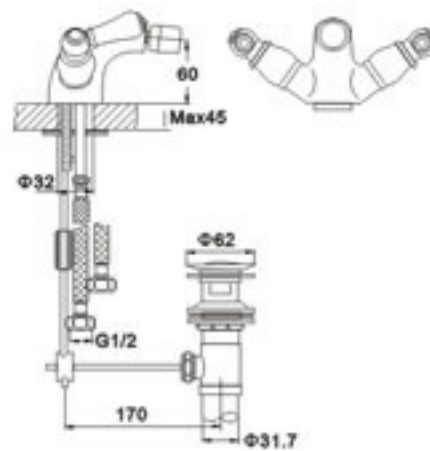
Forging brass body  
Brass handle  
With handshower set  
Full aerator



## TM-8511C-603

### Two-handle bidet mixer

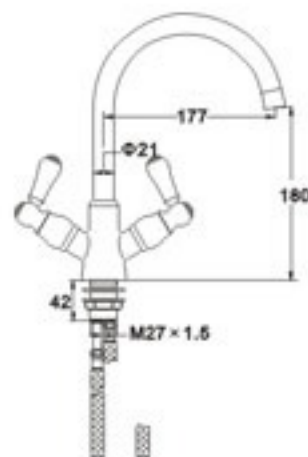
Cast brass body  
Die cast brass handle  
Full aerator



## TM-2710C-603

### Two-handle sink mixer

Cast brass body  
Die cast brass handle  
Full aerator





**TM-8851A**  
Shower set with  
concealed connecting  
system



**TM-8850A**  
Shower set with  
exposed connecting  
system

# TECHNO

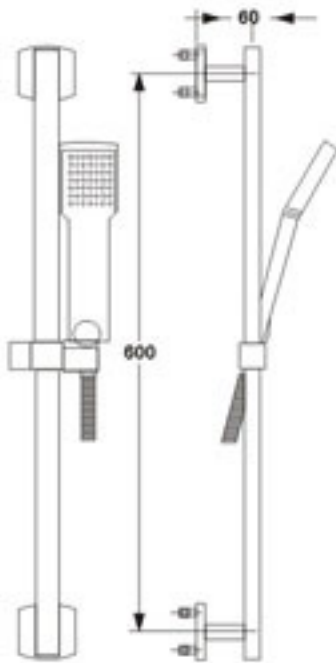
SLIDE RAIL SETS

# Slide Rail Sets



## TM-9529-550

Slide rail set with handshower and flexible hose  
 Brass sliding bar and bracket  
 Brass handshower



## TM-9539-550

Slide rail set with handshower and flexible hose  
 Brass sliding bar and bracket  
 Brass handshower double decked

## TM-9507-528

Slide rail set with handshower and flexible hose  
 Brass sliding bar and bracket  
 Brass handshower



## TM-9523-528

Slide rail set with handshower and flexible hose  
 Brass sliding bar and bracket  
 Brass handshower



## TM-9517-528

Slide rail set with handshower and flexible hose  
 Brass sliding bar and bracket  
 Brass handshower double decked



## TM-9525-528

Slide rail set with handshower and flexible hose  
 Brass sliding bar and bracket  
 Brass handshower double decked



**TM-9516-516**  
Slide rail set with handshower  
and flexible hose  
Brass sliding bar and bracket  
Brass handshower



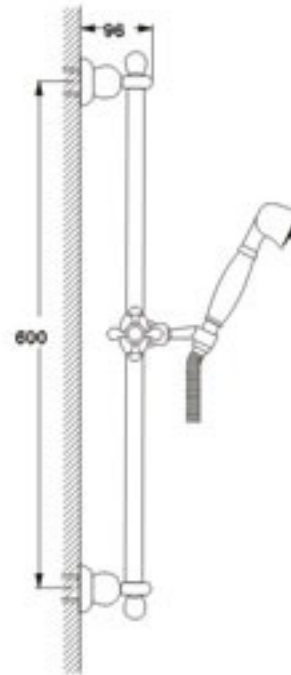
**TM-9516D-516**  
Slide rail set with handshower  
flexible hose and variable fixing  
Brass sliding bar and bracket  
Brass handshower

# Slide Rail Sets



**TM-9522-516**  
 Slide rail set with handshower  
 and flexible hose  
 Brass sliding bar and bracket  
 Brass handshower

**TM-9505-505**  
 Slide rail set with handshower  
 and flexible hose  
 Brass sliding bar and bracket  
 Brass handshower double decked



**TM-9521-516**  
 Slide rail set with handshower  
 and flexible hose  
 Brass sliding bar and bracket  
 Brass handshower



**TM-9520-516**  
 Slide rail set with handshower  
 and flexible hose  
 Brass sliding bar and bracket  
 Brass handshower

147/148



**TECHNO**  
RAIN & HAND SHOWER SETS

# Rain Showers



**TM-B08-S11G(120mm)  
TM-B08A-S11G(240mm)  
TM-B08B-S11G(360mm)**  
Shower arm and rainshower  
ceiling-mounted



**TM-B10-S16(120mm)  
TM-B10A-S16(240mm)  
TM-B10B-S16(360mm)**  
Shower arm and rainshower  
ceiling-mounted



**TM-B08-S11M(120mm)  
TM-B08A-S11M(240mm)  
TM-B08B-S11M(360mm)**  
Shower arm and rainshower  
ceiling-mounted



**TM-S22**  
Brass rainshower



**TM-S21**  
Brass two-way rainshower



**TM-S16**  
8" Brass rain shower

**TM-S16A**  
12" Brass rain shower

**TM-S16B**  
14" Brass rain shower



**TM-S11L**  
10" Brass rain shower

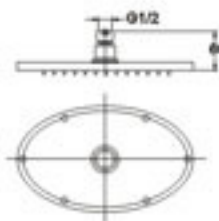
**TM-S11K**  
12" Brass rain shower

**TM-S11M**  
14" Brass rain shower



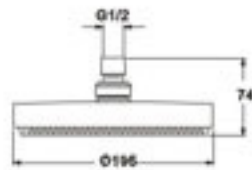
**TM-S17**  
6" Elliptical ABS rain shower

**TM-S18**  
8" Elliptical ABS rain shower

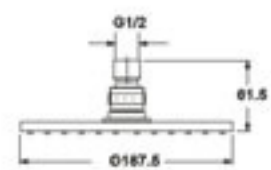




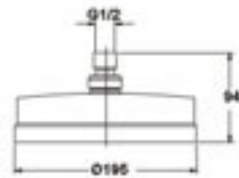
**TM-S11E**  
8" Brass rain shower



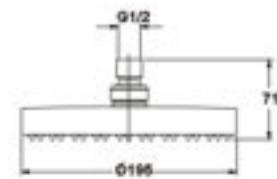
**TM-S11G**  
8" Brass rain shower



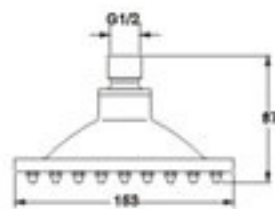
**TM-S11F**  
8" Brass rain shower



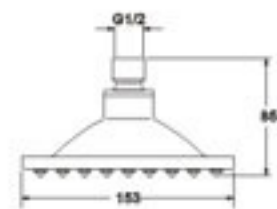
**TM-S11H**  
8" Brass rain shower



**TM-S11A**  
6" ABS rain shower



**TM-S11J**  
6" Brass rain shower



**TM-S07**  
Stainless steel shower rose



**TM-S15**  
6" ABS rain shower

## Rain Shower Sets



**TM-B05C-S11M**  
Shower arm and  
rainshower wall-mounted



**TM-B05A-S11J**  
Shower arm and  
rainshower wall-mounted



**TM-B12-S18**  
Shower arm and  
oval rain shower wall-mounted



**TM-B11-S18**  
Shower arm and  
oval rain shower wall-mounted



**TM-B11-S17**  
Shower arm and  
oval rain shower wall-mounted



**TM-B05A-S11G**  
Shower arm and  
rainshower wall-mounted



**TM-B09-S16**  
Shower arm and  
rainshower wall-mounted

# Shower Spouts



**TM-B03**  
Shower arm



**TM-Z08**  
Bath or basin spout



**TM-Z09**  
Bath or basin spout



**TM-Z11**  
Bath or basin spout



**TM-Z16**  
Bath or basin spout



**TM-Z17**  
Bath or basin spout



**TM-Z21**  
Bath or basin spout



**TM-Z20**  
Bath or basin spout

## Shower Arm



**TM-B09**  
Shower arm wall-mounted



**TM-B12**  
Shower arm wall-mounted



**TM-B05A**  
Shower arm wall-mounted



**TM-B10(120mm)**  
**TM-B10A(240mm)**  
**TM-B10B(360mm)**  
Shower arm ceiling-mounted



**TM-B08(120mm)**  
**TM-B08A(240mm)**  
**TM-B08B(360mm)**  
Shower arm ceiling-mounted



**TM-B01**  
Shower arm wall-mounted



**TM-B02**  
Shower arm wall-mounted



**TM-204**  
Bath or basin spout

# Hand Shower Sets



**TM-8811-519**  
Hand shower set



**TM-2083-535**  
Hand shower set



**TM-8859-551**  
Hand shower set



**TM-8873-551**  
Hand shower set



**TM-8859-528**  
Hand shower set



**TM-8811-516**  
Hand shower set



**TM-8853-516**  
Hand shower set



**TM-8876-528**  
Hand shower set



**TM-528**  
Square brass handshower



**TM-516**  
Microphone brass handshower



**TM-520**  
Microphone handshower



**TM-515**  
Handshower 3 functions



**TM-505**  
Brass handshower

# Hand Shower



**TM-552**  
Handshower 1 function



**TM-507**  
Handshower 1 function



**TM-526**  
Handshower 3 functions



**TM-519**  
Handshower 3 functions



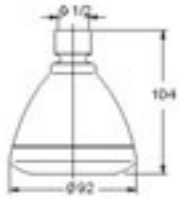
**TM-551**  
Hand shower



**TM-511**  
Luxury handshower 8 functions

## Shower Rose

**TM-S19**  
Shower rose of one setting



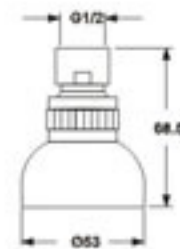
**TM-S10**  
Shower rose of three settings



**TM-S08**  
Shower rose of one setting



**TM-S03**  
Shower rose of one setting



**TM-S12**  
Brass shower rose





# HOLDERS & OTHERS



**TM-8811**  
Brass handshower holder  
(universal coupling)



**TM-8873**  
Shower outlet elbow  
with handshower holder



**TM-8855**  
Shower outlet elbow



**TM-8853**  
Brass handshower holder  
(universal coupling)



**TM-8859**  
Brass handshower holder  
(universal coupling)



**TM-8870**  
Shower outlet elbow



**TM-8876**  
Shower outlet elbow  
with handshower holder



**TM-8876A**  
Brass handshower holder



**TM-8813**  
Adjustable tube connection 3/4" - 3/4"



**TM-8815**  
Adjustable tube connection 3/4" - 3/4"

## Connectors, Hoses and Tubes



**TM-8861**  
PVC flexible hose



**TM-8806**  
Brass double lock flexible hose





**TM-9663**  
Brass Bidet hand shower



**TM-9661**  
Brass Bidet hand shower



**TM-504**  
ABS Bidet hand shower



**TM-9317C-607(1/2')**  
2 way triangle valve  
with bider hand shower set  
and flexi ble hose

161/162





Today's kitchens are the center of the home. To support this heightened activity, it is of utmost significance to choose a faucet with design sophistication and durability. To meet this end, TECHNO-MIX offers numerous types and styles of kitchen faucets, integrating ergonomics principles into traditional or modern styles.

**TECHNO**  
KITCHEN LINE



**TM-8780-D19**  
Single lever sink mixer with pullout sprayhead



**TM-8782-D22**  
Single lever sink mixer with pull-down sprayhead

**TM-8726-D11**  
Single lever sink mixer with swivel spout and pullout sprayhead



# Techno - Kitchen Line



**TM-8728-D11**  
Single lever sink mixer



**TM-8761-D26**  
Single lever sink mixer



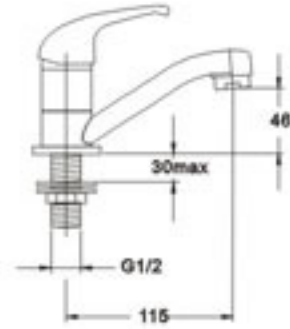
**TM-8718C-626**  
Two-handle sink mixer



**TM-8781-D11**  
Single lever sink mixer with pull-down sprayhead

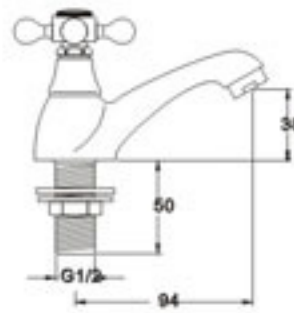


**TM-8707-D37**  
Single lever sink mixer



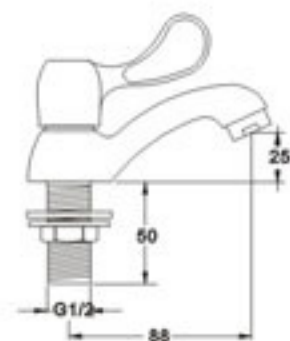
**TM-2218-D27**

Single lever basin tap  
for cold water only



**TM-2215C-601 (1/2")**  
Pillar basin tap

**TM-2015C-601 (3/4")**  
Pillar tub tap



**TM-2216C-602 (1/2")**  
Pillar basin tap

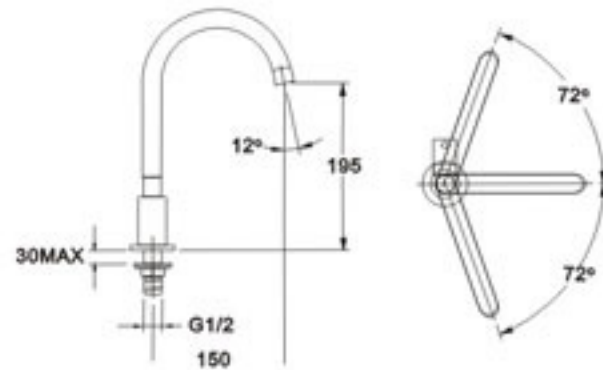


# Techno-Cold Water Taps



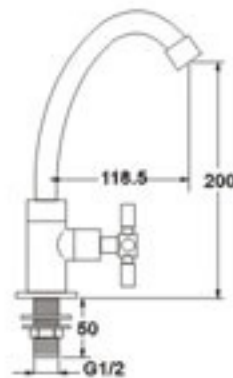
**TM-8702C-623 (1/2")**

Sink pillar tap  
with swivel spout



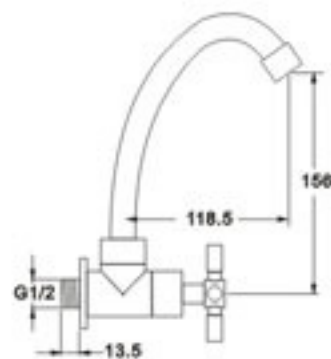
**TM-8702C-617 (1/2")**

Pillar sink tap



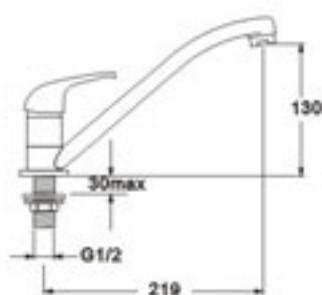
**TM-8703C-617 (1/2")**

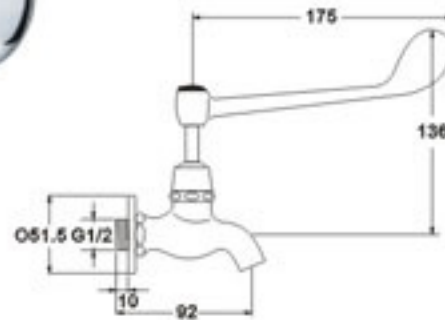
Wall sink tap



**TM-8725-D27**

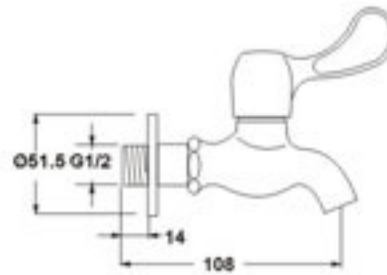
Single lever kitchen tap  
for cold water only





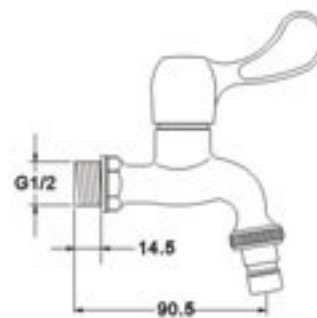
**TM-9101C-698 (1/2")**

Wall tap with elbow lever handle



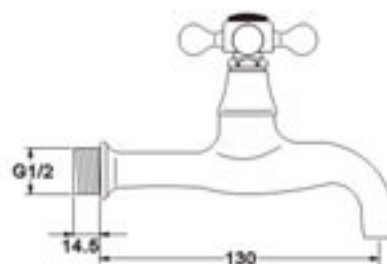
**TM-9103C-602 (1/2")**

Short wall tap



**TM-9102C-602 (1/2")**

Wall tap with hose coupling and screw collar



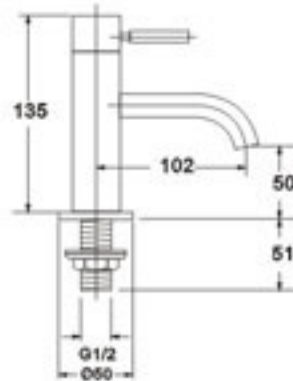
**TM-2112C-601 (1/2")**

Extended wall tap

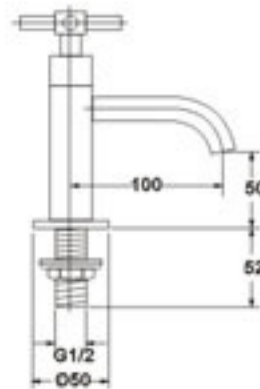
# Techno-Cold Water Taps



**TM-8235C-D35 (1/2")**  
Pillar basin tap



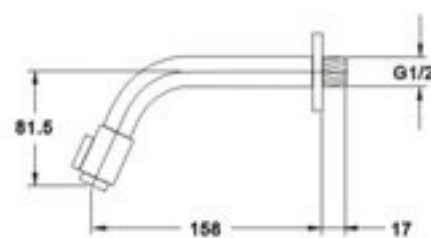
**TM-8233C-622 (1/2")**  
Pillar basin tap

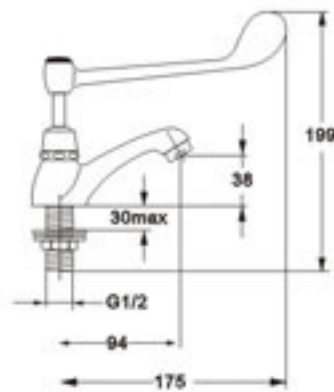


**TM-8231C-621 (1/2")**  
Pillar basin tap



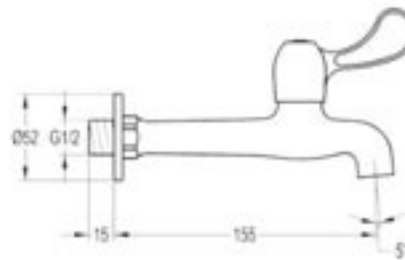
**TM-8232C-621 (1/2")**  
Basin bib tap





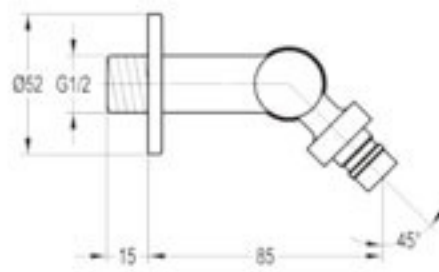
**TM-2215C-698 (1/2")**

**Basin pillar tap with  
elbow lever handle**



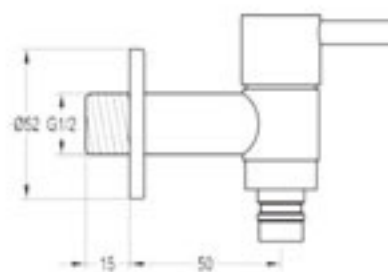
**TM-9106C-602 (1/2")**

**Extended bib tap**



**TM-9107C-660 (1/2")**

**Wall tap with hose  
coupling and screw collar**



**TM-9108C-660 (1/2")**

**Bib tap with hose coupling  
and screw collar**

## Techno-Cold Water Taps



**TM-8225C-607 (7/16")**

**Drinking tap**



The drinking tap is popular with star hotels for its unique design and sleek appearance. It is a perfect match for a wide variety of basins and faucets.



**TM-8215C-623 (7/16")**

**Drinking tap**



**TM-9318C-658 (1/2")**  
Triangle valve



**TM-9312C-630 (1/2")**  
**TM-9313C-630 (3/8")**  
Triangle valve



**TM-9304C-605 (1/2")**  
**TM-9309C-605 (3/8")**  
Triangle valve with filter



**TM-9304C-607 (1/2")**  
**TM-9309C-607 (3/8")**  
Triangle valve with filter



**TM-2134C-697 (1/2")**  
Triangle valve



**TM-9317C-607 (1/2")**  
2-way triangle valve



**TM-9320C-660 (1/2")**  
Triangle valve



**TM-9319C-659 (1/2")**  
Triangle valve

**TM-8877**  
Temperature regulator



**TM-9105C-602 (1/2")**  
Two-way tap



**TM-9001C-608 (1/2")**  
**TM-9002C-608 (3/4")**  
Stop valve



**TM-2101C-617 (1/2")**  
**TM-2105C-617 (3/4")**  
Stop valve



**TM-2101C-618 (1/2")**  
**TM-2105C-618 (3/4")**  
Stop valve



**TM-9001C-628 (1/2")**  
**TM-9002C-628 (3/4")**  
Stop valve



**TM-2101C-695 (1/2")**  
**TM-2105C-695 (3/4")**  
Stop valve



**TM-2101C-692 (1/2")**  
**TM-2105C-692 (3/4")**  
Stop valve





**TM-9280**  
Urinal flush valve



**TM-9280A**  
Urinal flush valve



**TM-2125**  
Exposed W.C flush valve with  
Vacuum breaker(treadle type)



**TM-2123**  
Urinal flush valve



**TM-2126**  
Urinal flush valve



**TM-2122**  
Exposed W.C flush valve with  
vacuum breaker(manual type)



**TM-2122A**  
Exposed W.C flush valve with  
vacuum breaker(manual type)



**TM-9222**  
Concealed urinal flush valve



**TM-9215**  
Concealed W.C. flush valve  
with vacuum breaker

**TM-9207-03**  
'L' shape WC flush pipe  
Size:300mmx230mm(Ø32)

**TM-9207-04**  
'L' shape WC flush pipe  
Size:800mmx200mm(Ø32)





# Techno-Hoses, Bottle Traps & Pop-ups



**TM-8803(1/2 " )**  
Stainless steel knitted hose

Screw	Length	Code
M10X1	40	TM-8827
X	50	TM-8827A
G1/2	60	TM-8827B
M10X1	40	TM-8824
X	50	TM-8824A
G3/8	60	TM-8824B
M10X1	40	TM-8839
X	50	TM-8839A
9/16-24UNEF	60	TM-8839B



**TM-8822(1/2 " -1/2 " )**  
Stainless steel knitted hose

Screw	Length	Code
G1/2 X G1/2	30	TM-8822-1
	40	TM-8822-3
	45	TM-8822-4
	50	TM-8822-5
	60	TM-8822-6
G3/8XG1/2	80	TM-8822-8
	40	TM-8838A
	50	TM-8838



**TM-8802 (1/2 " -1/2 " )**  
**TM-8802A (1/2 " -3/8 " )**  
Copper tube chrome plated

Screw	Length	Code
G1/2	40	TM-8802-1
X	50	TM-8802-2
G1/2	60	TM-8802-3
G1/2	40	TM-8802A-1
X	50	TM-8802A-2
G3/8	60	TM-8802A-3



**TM-8801(1/2 " )**  
**TM-8801A(3/8 " )**  
Copper tube chrome plated

Screw	Length	Code
G10X1	40	TM-8801-1
X	50	TM-8801-2
G1/2	60	TM-8801-3
M10X1	40	TM-8801A-1
X	50	TM-8801A-2
G3/8	60	TM-8801A-3



**TM-8825**  
Stainless steel wavy hose  
Size:300mm/400mm/500mm/600mm

Screw	Length	Code
G1/2 X G1/2	30	TM-8825-1
	40	TM-8825-2
	50	TM-8825-3
	60	TM-8825-4

**TM-9235**

Design siphon with push down pop up waste(without overflow)



**TM-9235A**

Design siphon with push down pop up waste(with overflow)



**TM-9235-4**

Siphon only(with pop-up pipe)



**TM-9267**

Siphon only (with pop-up pipe)



**TM-9235-2**

Push down pop up waste (without overflow)



**TM-9235-2A**

Push down pop up waste (with overflow)



**TM-9203**

Basin drain pipe(Wall type)



**TM-9204**

Basin drain pipe(Pillar type)



# Techno-Hoses, Bottle Traps & Pop-ups



**TM-9269A**

Brass pop-up waste  
(Without overflow)



**TM-9269**

Brass pop-up waste  
(With overflow)



**TM-9265**

Brass pop-up waste  
(With overflow)



**TM-9208**

Brass pop up waste 1 (1/4")  
(With overflow)



**TM-9252**

Brass pop-up waste for bathtub



**TM-9265A**

Brass pop-up waste  
(Without overflow)



**TM-3001**

DN40 brass floor drain



**TM-3002**

DN40 washing machine  
brass floor drain



**TM-3005**

G 1 1/4" Anti-foul  
brass floor drain



**TM-3003**

DN40 brass floor drain



**TM-3006**

G2" brass floor drain



**TM-3007**

DN40 brass floor drain



177/178

TM-8928  
Brass towel shelf



TECHNO  
BATHROOM ACCESSORIES

# Lynn Series



**TM-8930**  
Brass tumbler holder



**TM-8930A**  
Brass double tumbler holder



**TM-8933**  
Brass robe hook



**TM-8935**  
Brass toilet roll holder



**TM-8931**  
Brass soap dish



**TM-8932**  
Toilet brush & holder

179/180

## Lynn Series



**TM-8926**  
Brass single towel bar



**TM-8927**  
Brass double towel bar



**TM-8929**  
Glass shelf



**TM-8925**  
Brass towel shelf

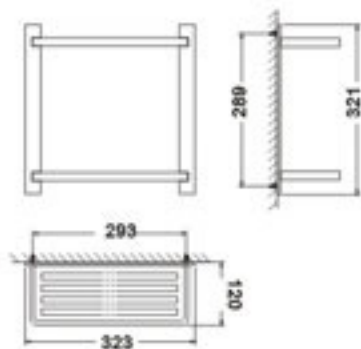
## Sofija Series



181/182



**TM-8918**  
Brass double shelf

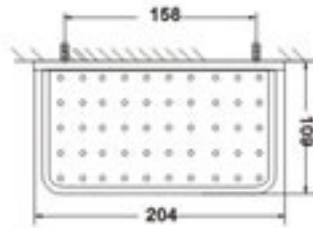




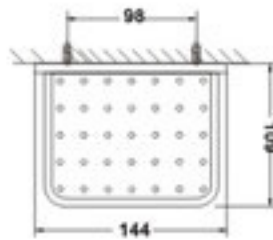
# Sofija Series



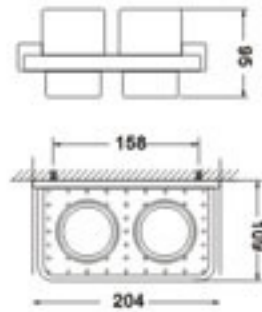
**TM-8919A**  
Brass soap dish



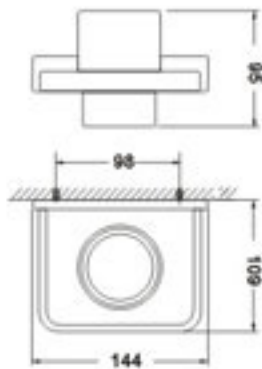
**TM-8919**  
Brass soap dish



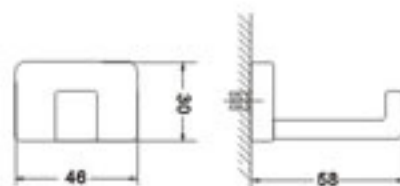
**TM-8920A**  
Brass double tumbler holder

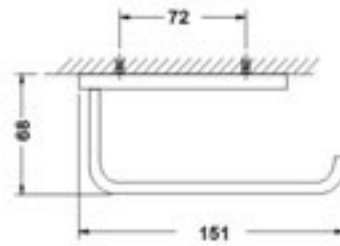


**TM-8920**  
Brass tumbler holder

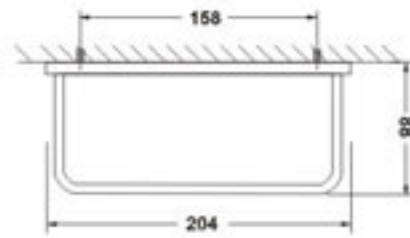


**TM-8922**  
Brass robe hook

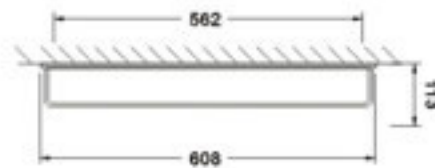




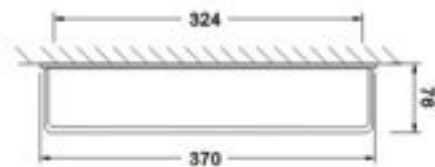
**TM-8921**  
Brass toilet roll holder



**TM-8915A**  
Guest towel ring



**TM-8912**  
Brass single towel bar



**TM-8912A**  
Brass single towel bar

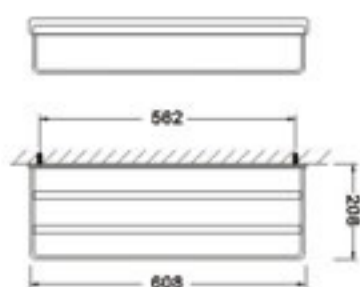


**TM-8911**  
Brass double towel bar

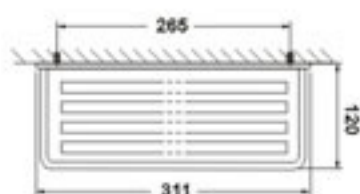
# Sofija Series



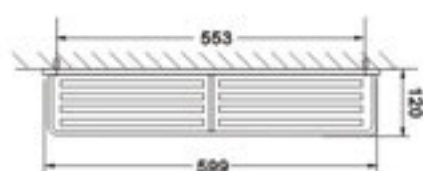
**TM-8910**  
Brass towel shelf



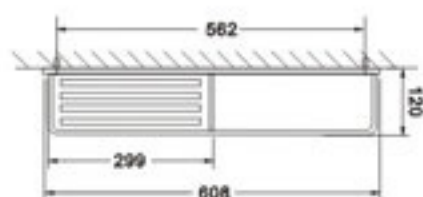
**TM-8917A**  
Brass shelf

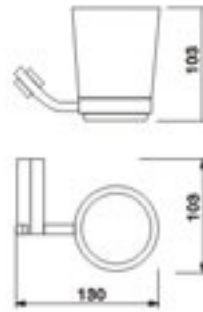


**TM-8917**  
Brass shelf

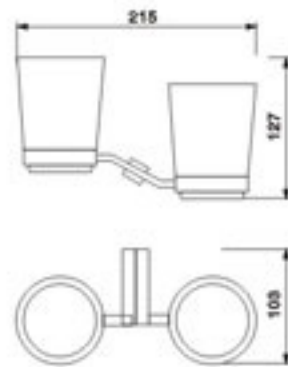


**TM-8916**  
Brass towel bar and shelf

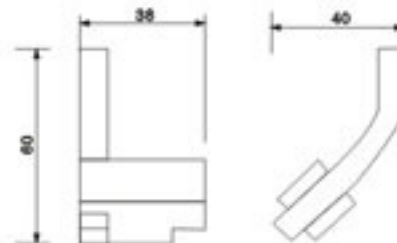




**TM-8950-5A**  
Brass tumbler holder



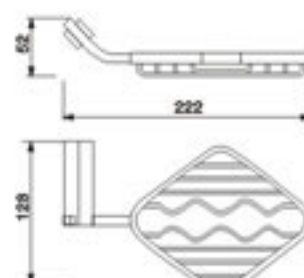
**TM-8950-5**  
Brass double tumbler holder



**TM-8950-9**  
Brass robe hook



**TM-8950-4**  
Brass soap dish

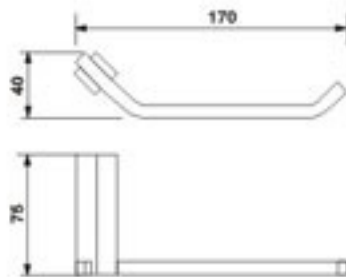


**TM-8950-4A**  
Brass soap basket

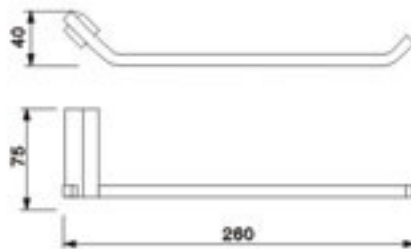
# Ankara Series



**TM-8950-8**  
Brass toilet roll holder



**TM-8950-6**  
Guest towel holder



**TM-8950-11A**  
Toilet brush & holder



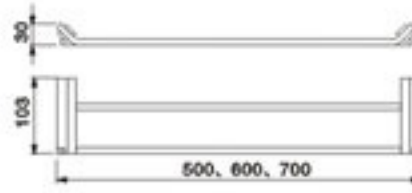
**TM-8950-11**  
Toilet brush & holder



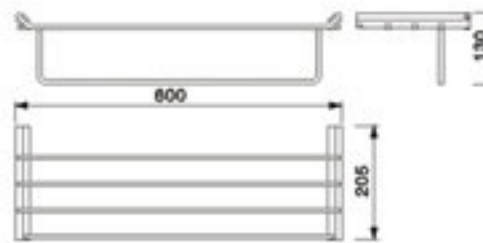
**TM-8950-3**  
Brass single towel bar



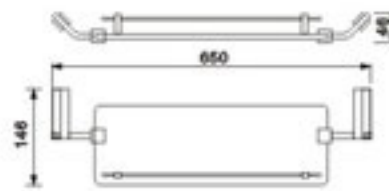
# Ankara Series



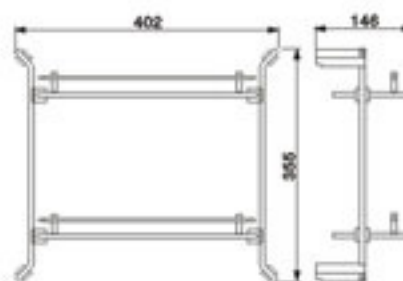
**TM-8950-2**  
Brass double towel bar



**TM-8950-1**  
Brass towel shelf



**TM-8950-7**  
Brass shelf



**TM-8950-10**  
Brass double shelf

# Oron Series



**TM-8952-5**  
Tumbler holder



**TM-8952-9**  
Brass robe hook



**TM-8952-4A**  
Brass soap dish



**TM-8952-4**  
Brass soap dish



**TM-8952-8**  
Brass toilet roll holder



**TM-8952-6**  
Guest towel holder



**TM-8952-11**  
Toilet brush & holder

# Oron Series



**TM-8952-3**  
Brass single towel bar



**TM-8952-2**  
Brass double towel bar



**TM-8952-1**  
Brass towel shelf



**TM-8952-7**  
Brass shelf



**TM-8952-10A**  
Brass double shelf



**TM-8952-10**  
Brass three-layer shelf



## Square Series



**TM-MA-2002-CP**  
Tumbler holder



**TM-MA-2003-CP**  
Brass soap dish



**TM-MA-2001-CP**  
Double Robe hook



**TM-MA-2006-CP**  
Brass toilet roll holder



**TM-MA-2005-CP**  
Brass single towel bar



**TM-8905-2**  
Brass soap dish



**TM-8905-3**  
Brass double tumbler holder



**TM-8905-8**  
Brass towel roll holder



**TM-8905-7**  
Brass robe hook



**TM-8905-9**  
Brass soap basket



**TM-8905-10**  
Brass soap basket

# Floren Series



**TM-8905-4**  
Brass towel holder



**TM-8905-1**  
Brass single towel bar



**TM-8905-5**  
Brass double towel bar



**TM-8905-6**  
Glass shelf



## Trio Series



**TM-TG-21-03**  
Tumbler holder



**TM-TG-09-03**  
Robe hook



**TM-TG-14-03**  
Guest towel ring



**TM-TG-08-03**  
Brass toilet roll holder



**TM-TG-03-03**  
Brass single towel bar

# Ono Series



**TM-TG-21-01**  
Tumbler holder



**TM-TG-22-01**  
Guest towel ring



**TM-TG-08-01**  
Brass toilet roll holder



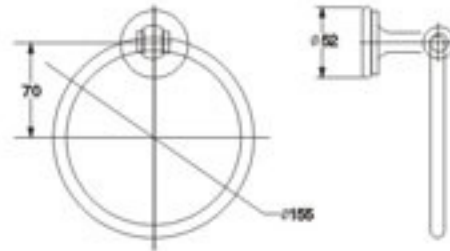
**TM-TG-09-01**  
Robe hook



**TM-TG-10-01**  
Brass soap dish



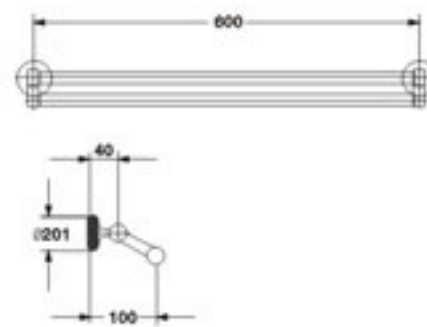
**TM-TG-03-01**  
Brass single towel bar



**TM-2099-4**  
Brass towel ring



**TM-2099-1**  
Brass single towel bar



**TM-8901**  
Brass double towel bar

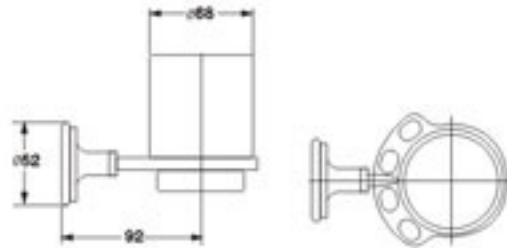


**TM-2099**  
Bathroom accessories  
(6 pieces set)

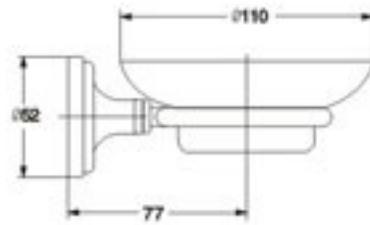
# Floral Series



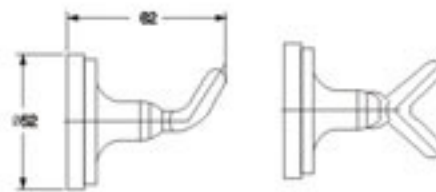
**TM-2099-3**  
Brass tumbler and  
toothbrush holder



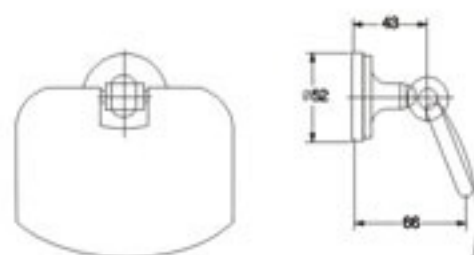
**TM-2099-2**  
Brass soap dish



**TM-2099-5**  
Brass robe hook



**TM-2099-6**  
Brass toilet roll holder



## Project Series



**TM-88559**  
Brass soap dish



**TM-88556**  
Brass soap basket



**TM-88554**  
Robe hook



**TM-88560**  
Brass toilet roll holder



**TM-88560**  
Guest towel ring



**TM-88524**  
Brass single towel bar



## Bathroom Racks



**TM-8963**  
Brass single rack



**TM-8963A**  
Brass single rack



**TM-8936**  
Brass triangle rack



**TM-8936A**  
Brass triangle rack



**TM-8961**  
Brass double rack

**TM-8962**  
Brass double rack



199/200



**TECHNO**  
HOTEL SUPPLIES

# Techno Hotel Supplies



**TM-2091**  
Towel shelf



**TM-TG-07-01**  
Glass shelf



**TM-8906-04**  
Small soap basket



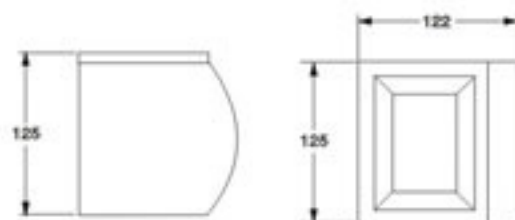
**TM-8906-10**  
Big soap basket



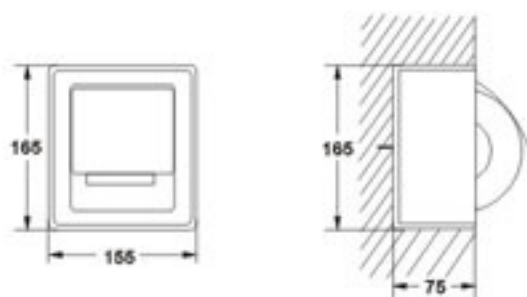
**TM-8906-15**  
Bath grab bar



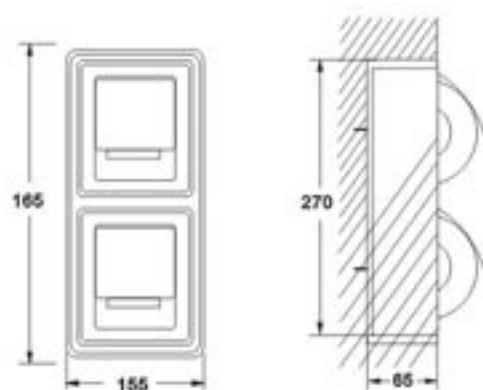
**TM-8906-16**  
Bath grab bar with soap basket



**TM-8909**  
Toilet roll box



**TM-8965**  
Brass toilet roll holder

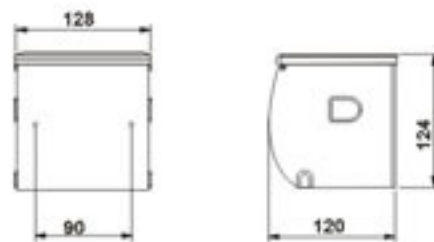


**TM-8965A**  
Brass double toilet roll holder

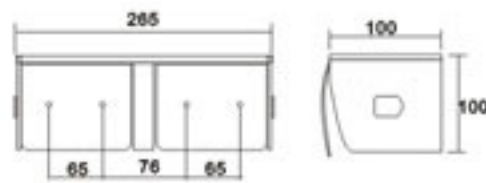
# Paper Holder



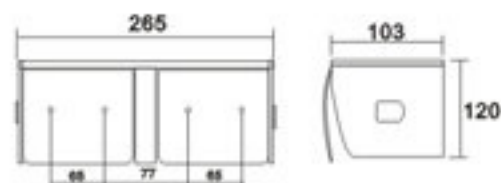
**TM-WK5260P11**  
Surface mounted roll holder



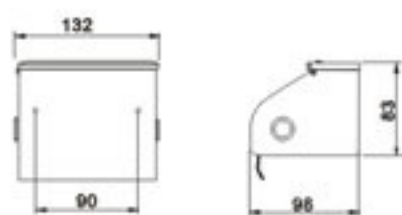
**TM-WK5820P11**  
Surface mounted double roll holder

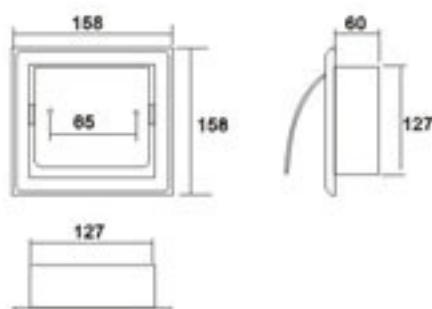


**TM-WK5821P11**  
Surface mounted double roll holder with ash tray



**TM-WK5262P11**  
Surface mounted roll holder

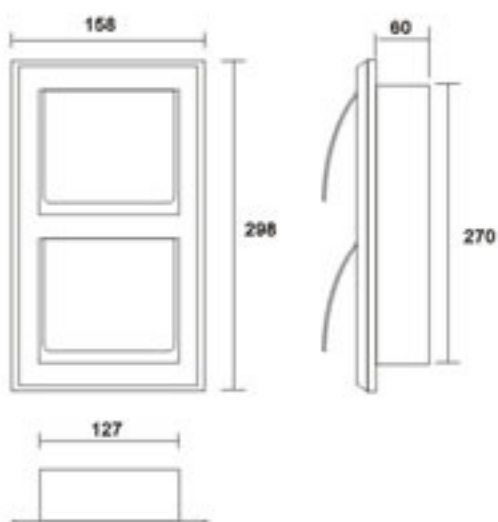




**TM-WK5275P11**  
Recessed roll holder



**TM-WK5261P11**  
Recessed double roll holder

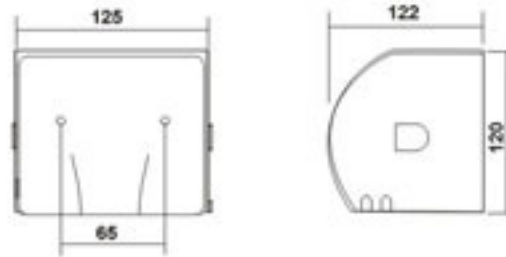


**TM-WK5831P11**  
Recessed double roll holder

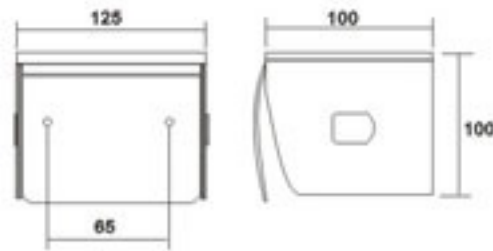
# Paper Holder



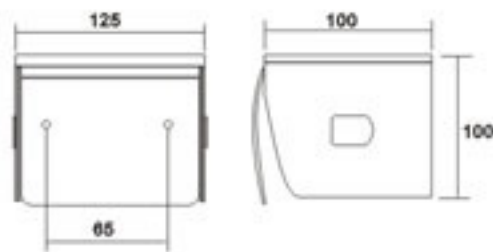
**TM-WK5263P11**  
Surface mounted roll dispenser



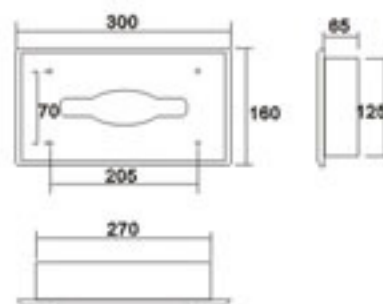
**TM-WK5261P11**  
Surface mounted roll holder



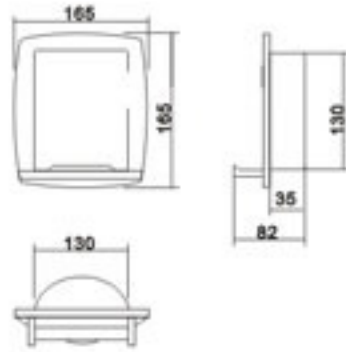
**TM-WK5821P11**  
Surface mounted roll holder with ash tray



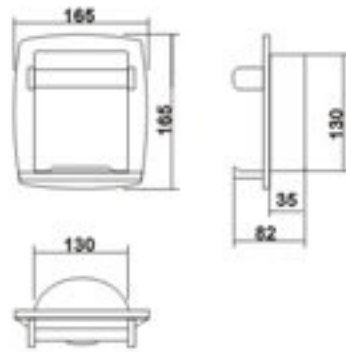
**TM-WK5276P11**  
Recessed tissue box dispenser



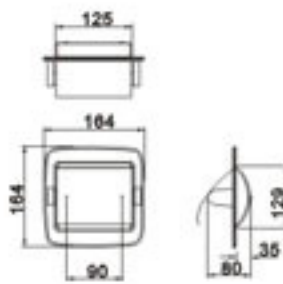
## Paper Holder



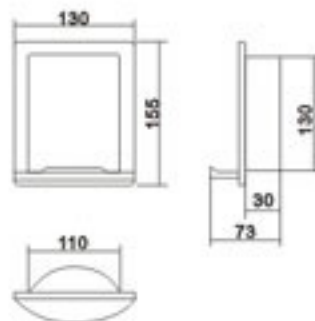
**TM-WK5270P11**  
Recessed soap holder



**TM-WK5271P11**  
Recessed soap holder with grip



**TM-WK5272P11**  
Recessed toilet roll holder



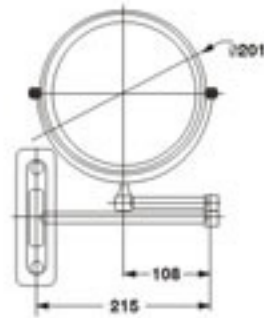
**TM-WK5273P11**  
Recessed soap holder



# Shaving Mirrors



**TM-8908**  
Shaving mirror



**TM-JWK0748OP11**  
Wall mounted cosmetic mirror  
Size:10 "



**TM-JWK07481P11**  
Wall mounted cosmetic mirror  
Size:10 "



**TM-JWK07482P11**  
Wall mounted cosmetic mirror  
Size:10 "



**TM-JWK0848OP11**  
Wall mounted cosmetic mirror  
Size:8 "

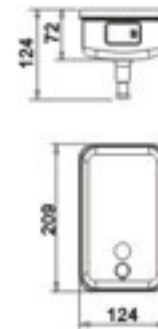
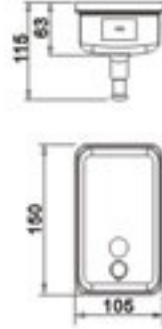
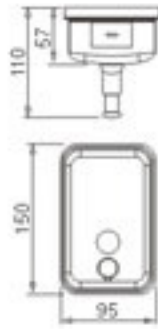


**TM-JWK08481P11**  
Wall mounted cosmetic mirror  
Size:8 "



**TM-JWK08482P11**  
Wall mounted cosmetic mirror  
Size:8 "

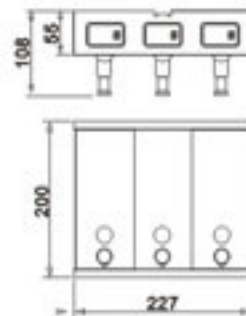
## Stainless Steel Soap Dispenser



**TM-WK5541P11**  
Soap dispenser



**TM-WK5550P11**  
Double soap dispenser



**TM-WK5551P11**  
Triple soap dispenser



**TM-2053-1**  
Wall mounted Liquid soap dispenser

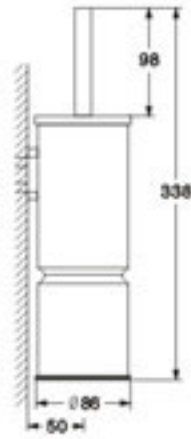


**TM-2053**  
Liquid soap & lotion dispenser

# Hotel and Commercial Items



**TM-8907**  
Toilet brush & holder



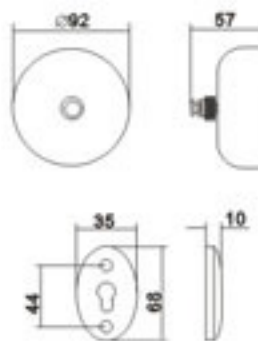
**TM-WK2690P11**  
Waste bin



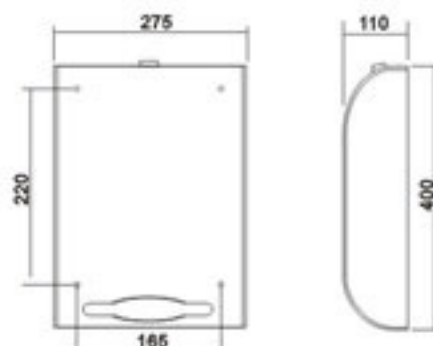
**TM-WK2700P11**  
Waste bin



**TM-WK930P11**  
Cloth line



**TM-WK001010P11**  
Bottle opener



**TM-WK5264P11**  
Surface mounted paper dispenser



**TM-WK5265P11**  
Surface mounted paper dispenser



**TM-WK5266P11**  
Surface mounted paper dispenser

# Tissue Dispenser



**TM-WK5267P11**  
Surface mounted paper holder



---

**TM-WK6260P11**  
Surface mounted paper dispenser



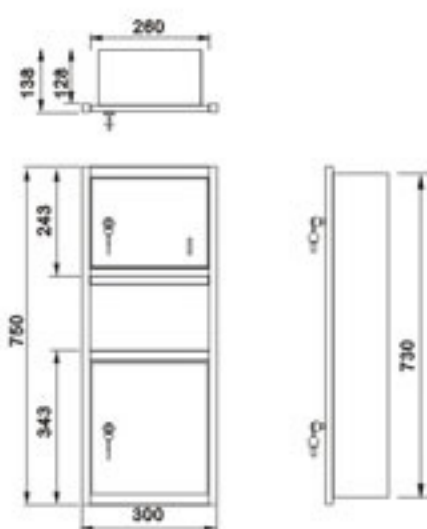
---

**TM-WK5268P11**  
Surface mounted paper dispenser

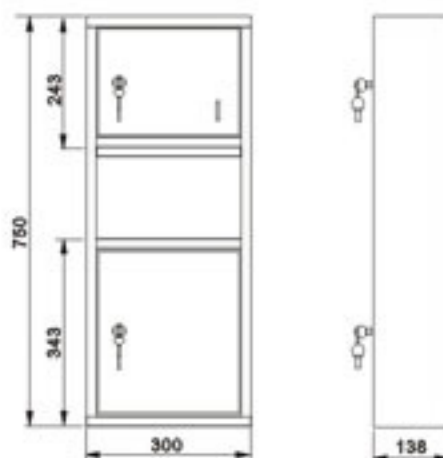




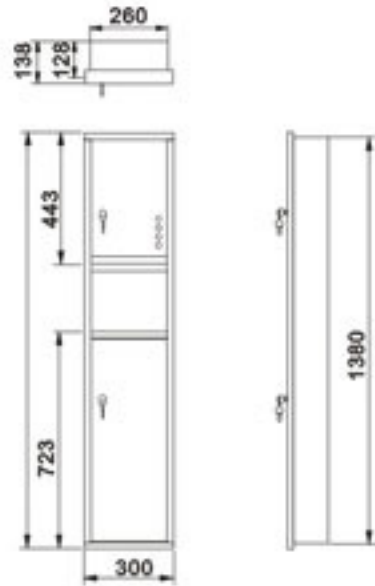
**TM-WK5710P11**  
**Recessed paper dispenser**  
**and waste receptacle**



**TM-WK5711P11**  
**Surface mounted paper dispenser**  
**and waste receptacle**

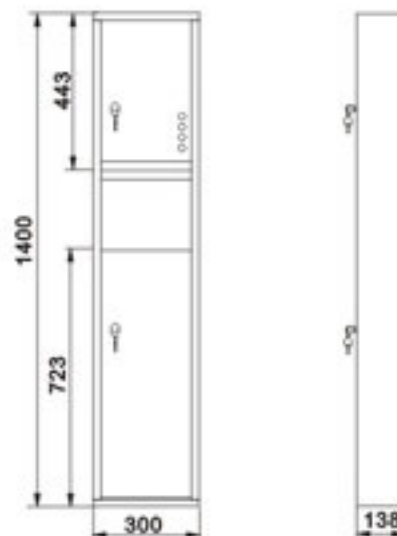


# Paper Dispenser and Waste Receptacle



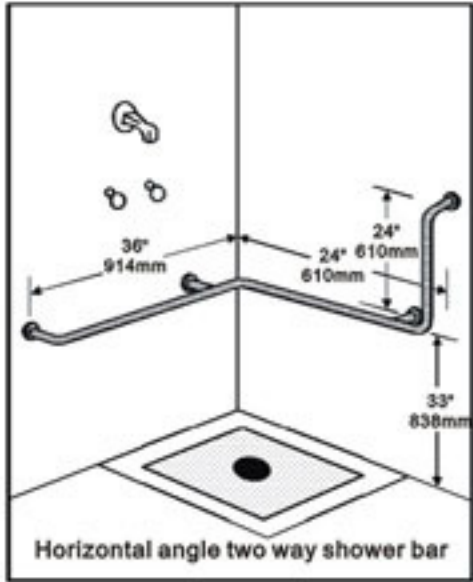
**TM-WK5712P11**  
Recessed paper dispenser  
and waste receptacle

Can be supplied with Electrical Hand Dryer

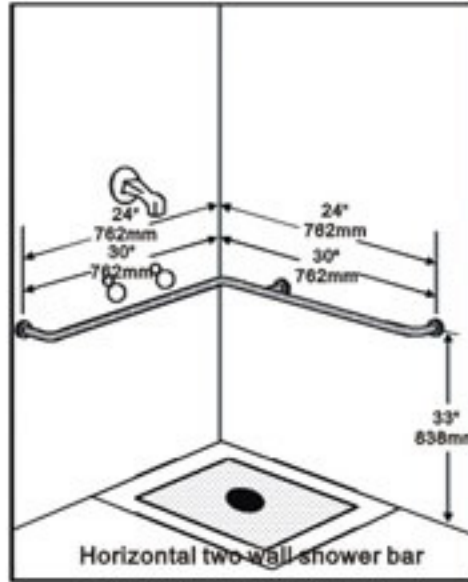


**TM-WK5713P11**  
Surface mounted paper dispenser  
and waste receptacle

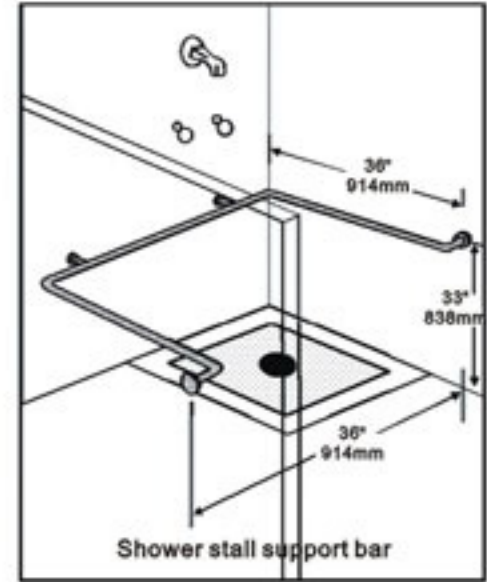
Can be supplied with Electrical Hand Dryer



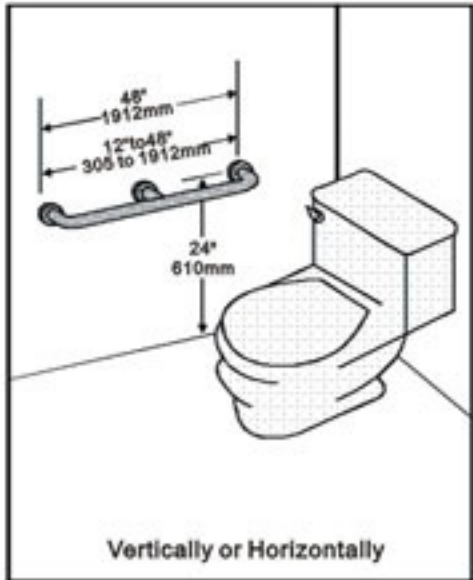
TM-BTBW-001



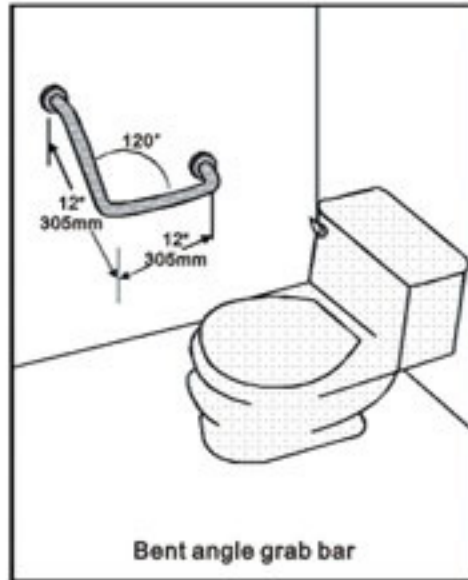
TM-BTBW-002



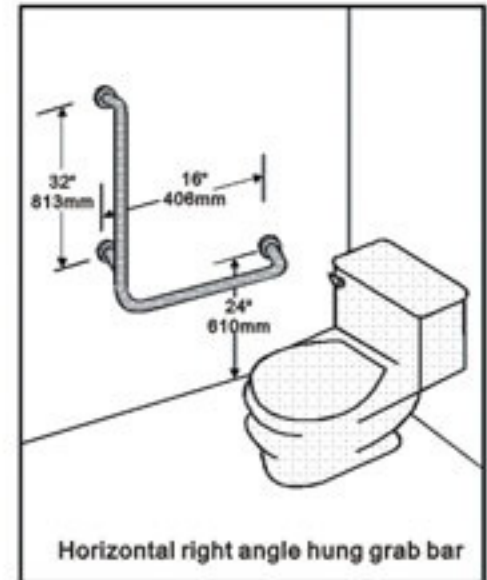
TM-BTBW-003



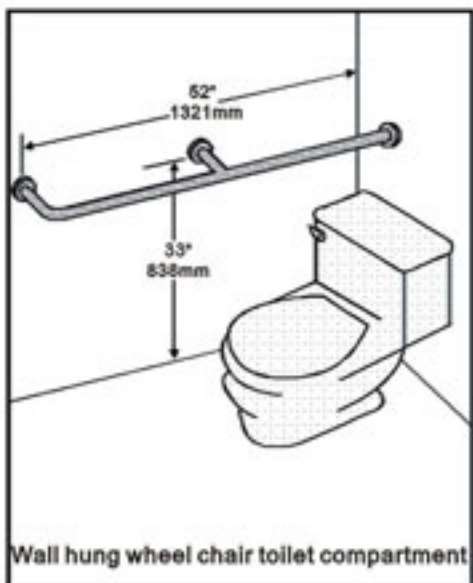
TM-BTBW-004



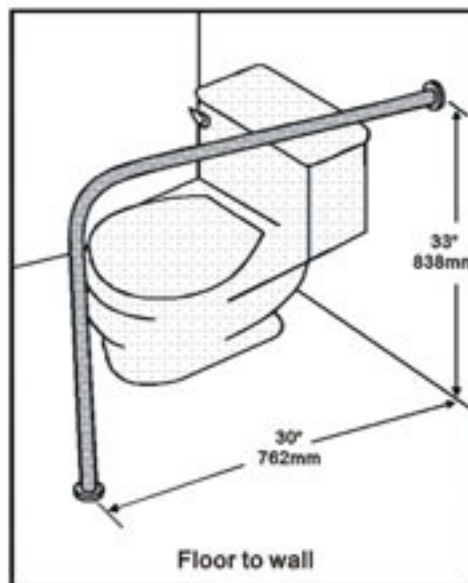
TM-BTBW-005



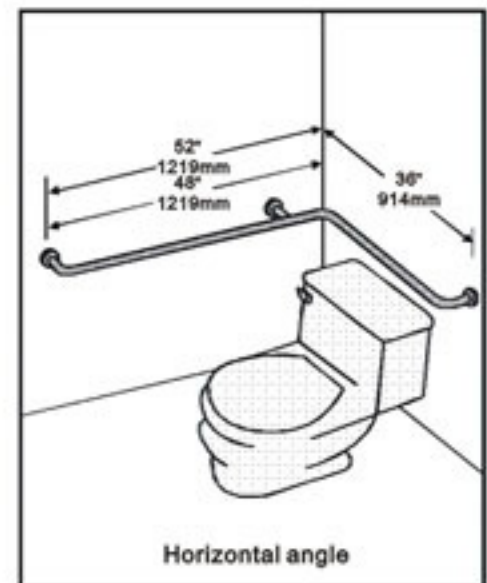
TM-BTBW-006



TM-BTBW-007

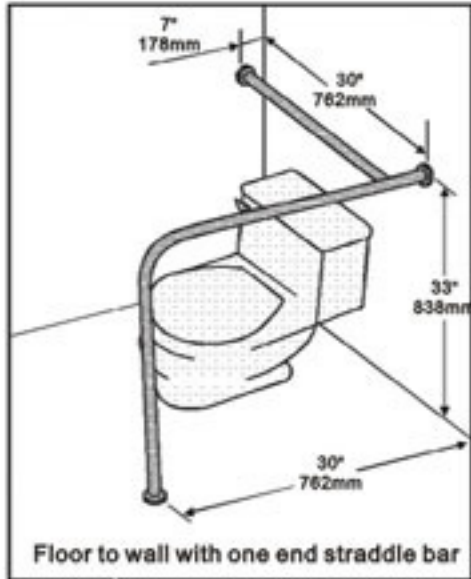


TM-BTBW-008

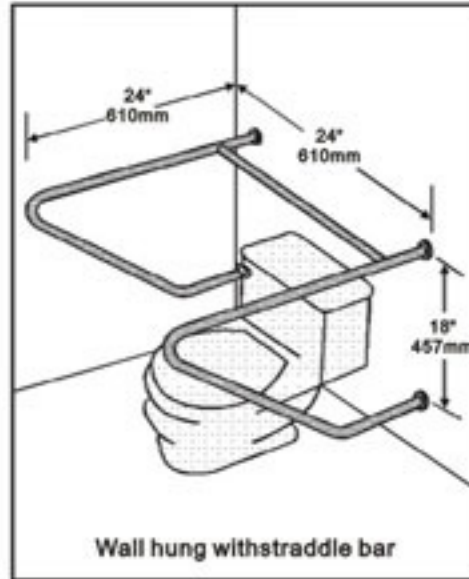


TM-BTBW-009

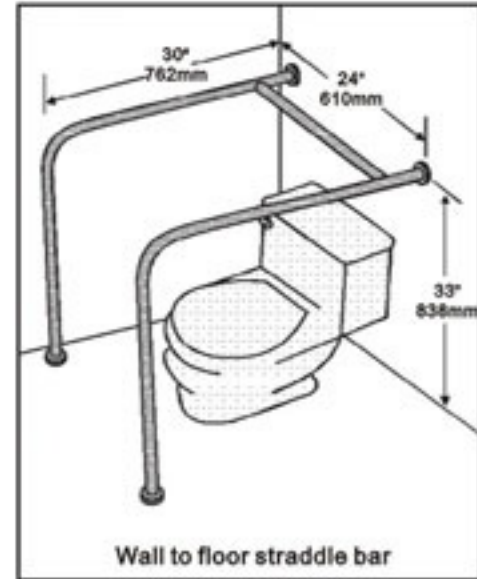




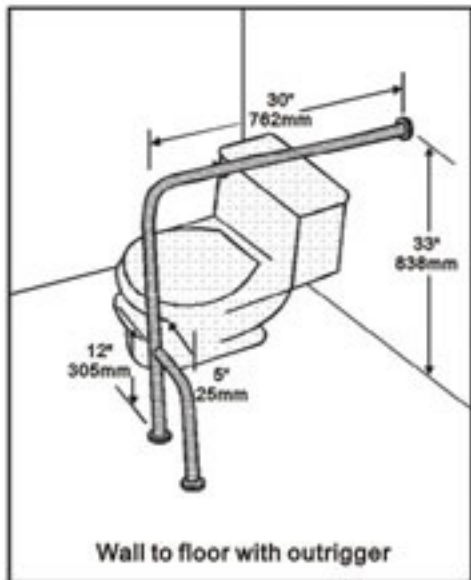
TM-BTBW-010



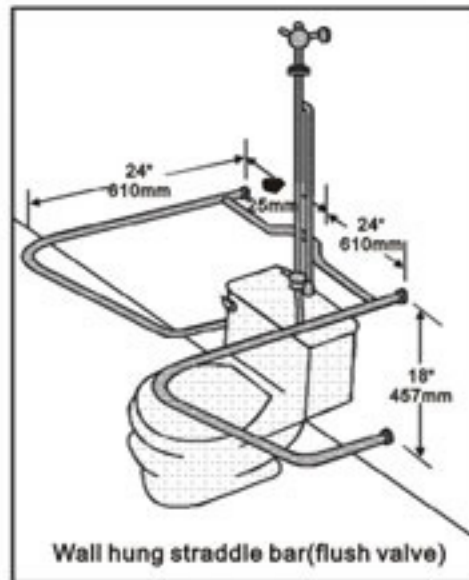
TM-BTBW-011



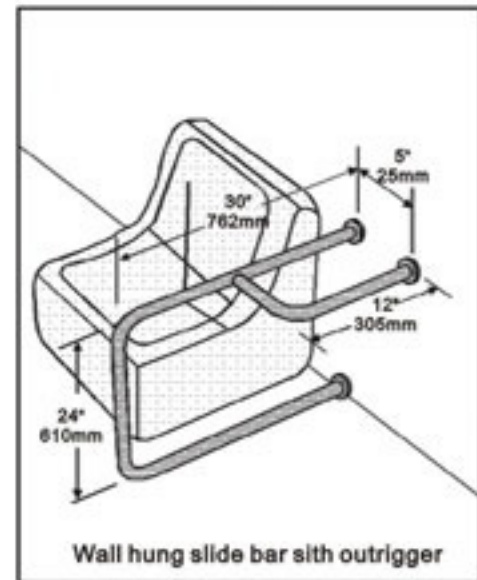
TM-BTBW-012



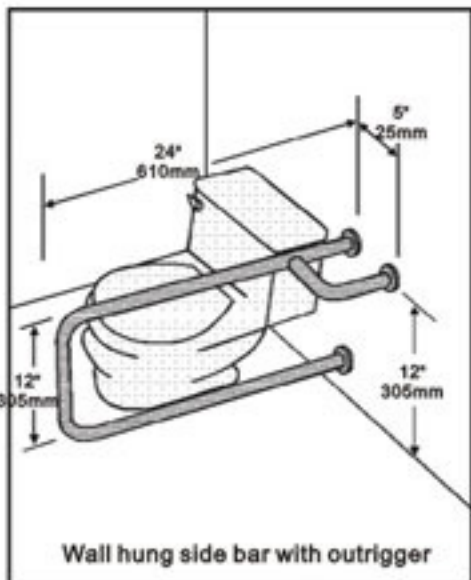
TM-BTBW-013



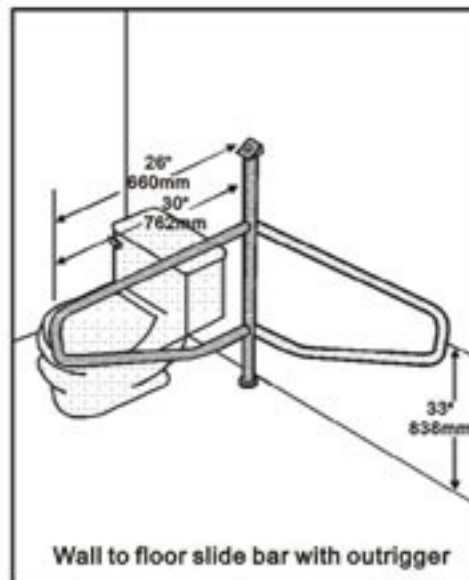
TM-BTBW-014



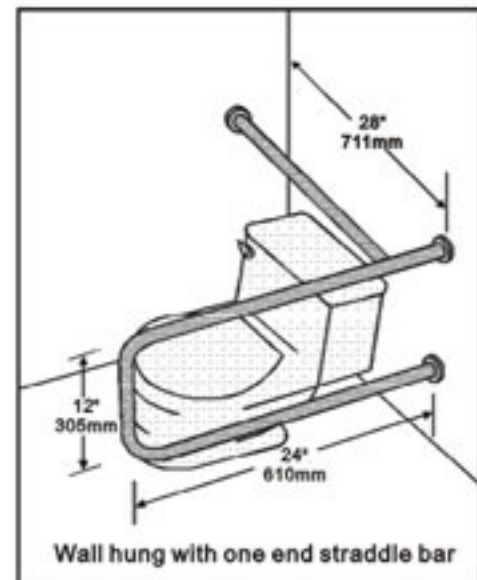
TM-BTBW-015



TM-BTBW-016

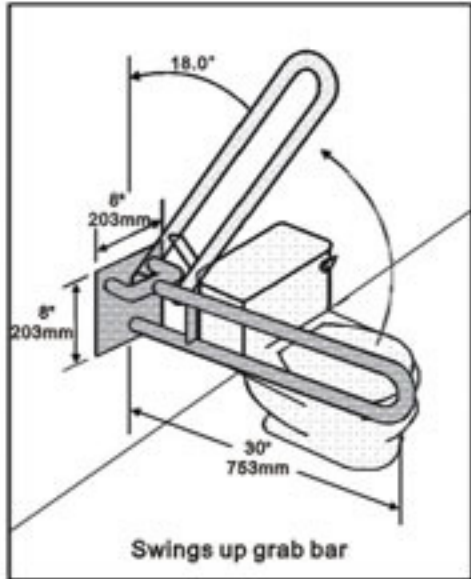


TM-BTBW-017



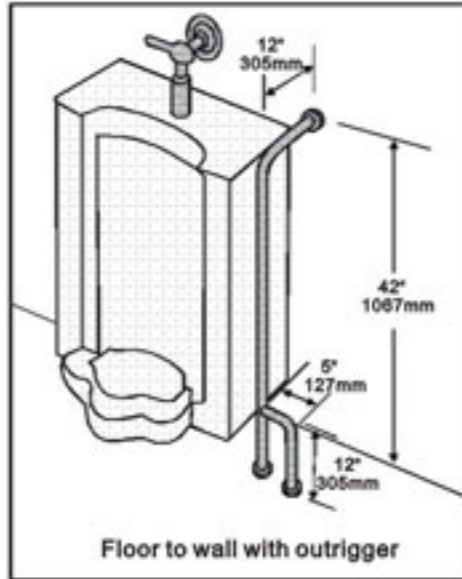
TM-BTBW-018

## Disabled Bathroom Articles



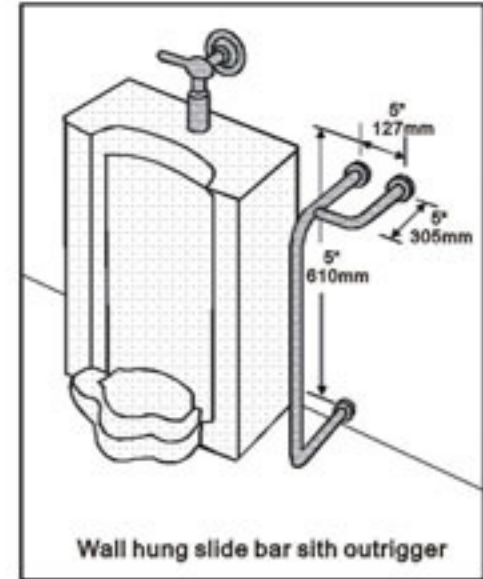
Swings up grab bar

TM-BTBW-019



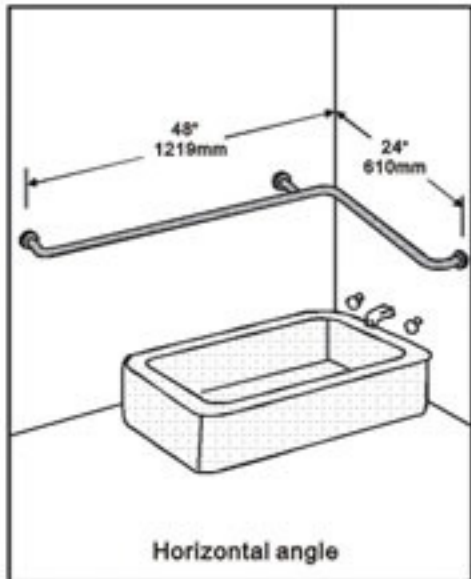
Floor to wall with outrigger

TM-BTBW-020



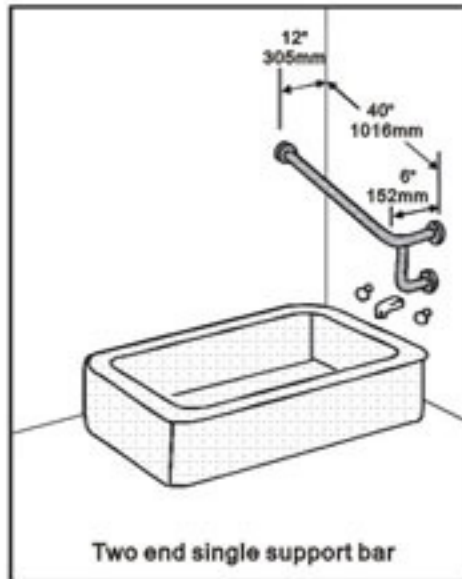
Wall hung slide bar with outrigger

TM-BTBW-021



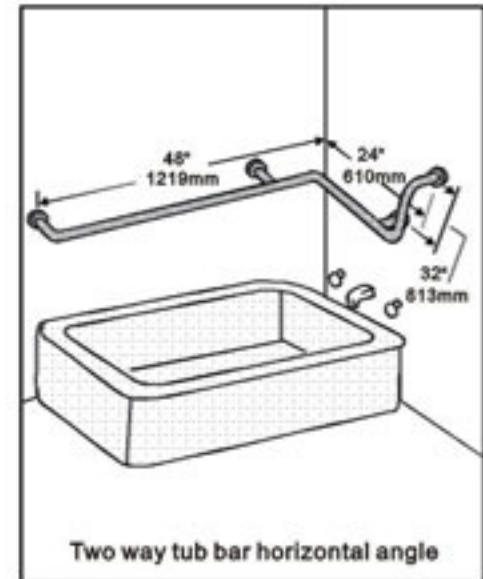
Horizontal angle

TM-BTBW-022



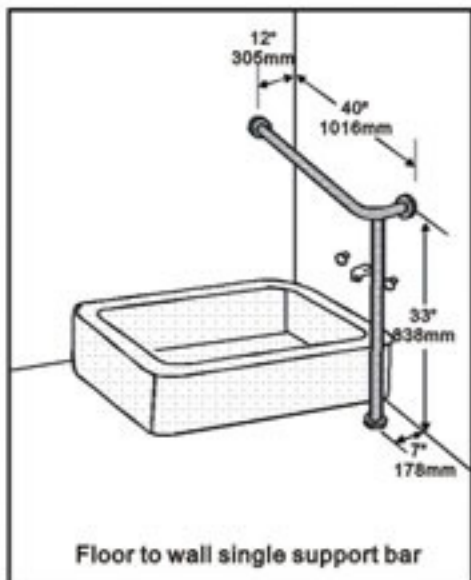
Two end single support bar

TM-BTBW-023



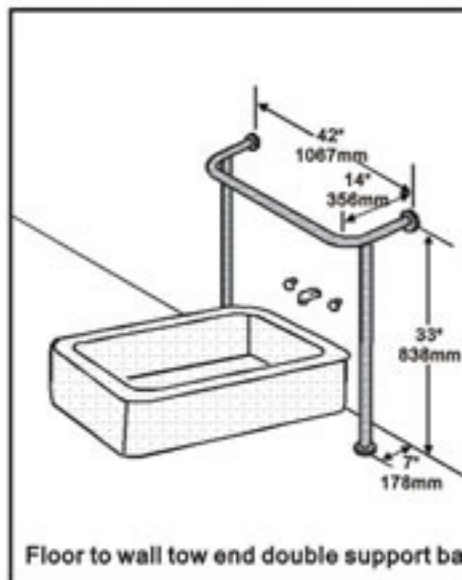
Two way tub bar horizontal angle

TM-BTBW-024



Floor to wall single support bar

TM-BTBW-025



Floor to wall two end double support bar

TM-BTBW-026

# Anti-Fog Mirrors

## Techno-Mix Anti-Fog Mirrors

### SPECIFICATION

Voltage: 12V, 24V, 110V, 220V

Power Rating: 1.8-2.5w/dm<sup>2</sup>

Temperature rise: 12-25°C



RECTANGULAR



OVAL



ROUND

Mirror's sizes can be made as per buyer's requirement

Techno-Mix company has the right to modify its products without any notice



## Techno-Mix Sanitary Fzco

RA8 NB4 Jebel Ali Free Zone, P.O. Box 18480 Dubai - UAE  
Tel: +971 4 883 3774, Mob: +971 50 645 5878, Fax: +971 4 883 3775  
E-mail: [info@technomix.com](mailto:info@technomix.com), <http://www.technomix.com>