



# Door Operator PortaMatic

For barrier-free, convenient living



## Open and close doors effortlessly

With the Hörmann PortaMatic door operator, you can open and close your timber and steel internal doors automatically via hand transmitter or button. Whether you are physically disabled or would simply like more convenience – this technology will make your everyday life easier. Door operator PortaMatic features not only an array of functions and settings, but also a minimal power consumption. In addition, the PortaMatic is up to 25 % cheaper than similar door operators.









### Senior-friendly residences

Would you like to stay mobile despite physical limitations? The PortaMatic operator for internal doors improves your quality of life by helping you move about your home unaided.

### Convenient living

You can now carry full trays, heavy crates of beverages or your shopping bags into your rooms unhindered. Even if you don't need the automatic door operator PortaMatic for health reasons, you will never want to do without this convenience again – we guarantee it!



### Barrier-free working

Barrier-free working already plays an important role and will continue to gain importance in the future. The PortaMatic door operator can be integrated into all non-public areas at your workplace, thus ensuring more convenience.

### Hygienic door operation

In office buildings, the risk of infection among employees is especially high on doors leading to the lavatory. In combination with a non-contact switch, the PortaMatic door operator provides reliable protection from germs and bacteria, giving you a sense of security.





## 1 Reliable door operation

At Hörmann, safety and convenience go hand in hand. The PortaMatic operator opens and closes your doors with soft start and soft stop and is extremely quiet. The door is moved with a minimum of force, offering you a high level of safety. Even a light touch is enough to stop the door from moving.

## 2 Innovative radio system

**! Only from Hörmann**

For you, we keep going where others have long called it a day. Our innovative BiSecur radio system allows you to control your operator securely via a hand transmitter or radio internal push button and even to query whether your door is open or closed\*. Now you no longer have to run around your house to check whether your internal doors are closed. And because we always have your convenience in mind, you can use your hand transmitter or radio internal push button to not only open and close your doors, but also to operate the integrated LED illumination.

\* With hand transmitter HS 5 BS or radio internal push button FIT 5 BS



### 3 Simple fitting, simple connection

The PortaMatic is guaranteed to make your life easier. Even fitting is very easy. The operator is fastened above the door or on the frame. The slide rail can simply be bonded to the door leaf and leaves no residue behind after being removed. This is particularly advantageous if you live in a rented flat or have smooth glass doors. The PortaMatic is simply connected to a socket. To ensure a smooth connection, the cables to our operators are 3 m long. Of course, your Hörmann partner can professionally fit the operator for you.



### 4 Visual and acoustic convenience functions

We find added convenience and safety make all the difference. This is why we have equipped our PortaMatic door operator with some convenient additional functions for you. For example, an acoustic signal and the integrated LED illumination indicate door movement before the door opens or closes. More importantly, the illumination ensures your safety in the entire passage area, particularly in the dark and in poorly lit doorways.



PortaMatic in Silver (E6 / EV 1) with the light switched on, fitting to the extended door frame.



PortaMatic in White (RAL 9016) with optional shaft extension, fitting over the door frame.





The integrated illumination ensures orientation and optimally lights the door's passage area.



Partial opening is advantageous, if, for example, sanitary facilities are insufficiently ventilated.

## Integrated LED illumination



Only from Hörmann

The PortaMatic illumination functions can be easily adapted to your respective needs – over and over again. This means, for example, you can choose lighting upward or downward. Continuous operation can serve as an orientation aid at night, and opening and closing can be indicated by a light signal before door movement.

## Practical partial opening

You can adjust the PortaMatic to remain partially or completely open for a defined period of time, for example for ventilation purposes.

## Minimal power consumption

With energy-efficient components and LED illumination, we made sure that the energy costs for the PortaMatic remain extremely low. This saves you both electricity and money.

## Custom connection options

The PortaMatic can be connected to on-site buttons in your house via cable. In addition, the use with an internal door or apartment entrance door with an electric door strike or motor lock is also possible. With an optional additional print, external switch boards can also be controlled via radio, e.g. for an emergency call function.

## Your convenience is our goal

With our innovative products, we would like to make your everyday life easier. This is why you can also customise our PortaMatic door operator, with its numerous functions, tailoring it to your wishes and needs. The functions can also be combined. You can control up to 4 functions via a hand transmitter or radio button. This allows everyone in your home to make individual use of the operator.





### 1 Automatic operation

The door is opened via the hand transmitter or button. The door automatically closes after a period defined by you. The time window during which the door remains open ranges from 2 to 180 seconds.

### 2 Impulse operation

The door is opened via the hand transmitter or button. Pressing the button or actuating the hand transmitter once more closes the door again.

### 3 Semi-automatic operation

With this operating mode, you simply open the door slightly by hand. From a point defined by you, the operator then takes over and opens the door completely. A slight push then closes the door again.

3



### 4 Door closer operation

As usual, you open the door by hand. The operator is in idle mode. The door then closes automatically after a period defined by you, which ranges from 2 to 60 seconds.

### Combined operation

All operating modes can also be customised or combined. The PortaMatic can be flexibly used and adapted to your personal situation – over and over again. Further information on this can be found starting on page 16.

4

## Radio control elements with an exclusive design

Our technology is not only innovative, but also has an elegant package. Hörmann radio controls are available in various versions and a variety of attractive designs. And of course, all of our control elements feature the innovative Hörmann BiSecur radio technology, making transmission signals particularly secure. On the following pages, you will find an excerpt from our comprehensive programme. Your Hörmann partner would be happy to give you more information about the functions, as well as the complete accessories programme.



You can find more detailed information on operation via smartphone in the BiSecur Gateway with smartphone app brochure; for information on Hörmann door operators, please refer to the Garage Door and Entrance Gate Operators brochure.





**Hand transmitter HS 5 BS**  
 4 button functions,  
 plus query button\*,  
 1 High-gloss black or white  
 2 Black texture

**Hand transmitter HS 4 BS**  
 4 button functions,  
 3 High-gloss black

**Hand transmitter HS 1 BS**  
 1 button function,  
 4 High-gloss black

**Hand transmitter HSE 1 BS**  
 1 button function,  
 incl. eyelet for key ring  
 5 High-gloss black

**Hand transmitter HSE 2 BS**  
 2 button functions  
 incl. eyelet for key ring  
 6 High-gloss black or white  
 7 High-gloss green, purple,  
 yellow, red, orange

(Shown from left to right)

8 Black texture with chrome  
 or plastic caps  
 9 Decors in silver, carbon,  
 light rootwood, light timber,  
 dark timber, dark rootwood  
 (Shown from left to right)

**Hand transmitter  
 HSD 2-A BS**  
 10 Aluminium look,  
 2 button functions, can also  
 be used as a key ring

**Hand transmitter  
 HSD 2-C BS**  
 11 High-gloss chrome,  
 2 button functions, can also  
 be used as a key ring

**Hand transmitter HSP 4 BS**  
 12 With button lock-out,  
 4 button functions,  
 incl. key ring





13

14

15

**Radio internal push button  
FIT 1 BS**

1 button function,  
13 Pure white RAL 9010  
■ **NEW**

**Radio internal push button  
FIT 4 BS**

4 button functions,  
14 Pure white RAL 9010  
■ **NEW** from autumn 2015

**Radio internal push button  
FIT 5 BS**

4 button functions plus  
query button\*,  
15 Pure white RAL 9010  
■ **NEW** from autumn 2015



16

**Recessed radio transmitter**

16 2 functions,  
in combination  
with commercially available  
recessed push buttons

**HSU 2 BS**

For fitting in switch boxes  
with 55 mm diameter  
and a minimum depth  
of 60 mm with connection  
to the house mains supply



17

**FUS 2 BS**

For fitting in switch boxes  
with 55 mm diameter  
and a minimum depth  
of 45 mm, incl. battery  
LR03 / AAA 1.5 V



**Internal push buttons**

17 Flat buttons, surface-  
mounted and recessed  
versions, available with  
different imprints



**Hygienic, non-contact  
door operation**

In office buildings, the risk  
of infection among colleagues  
is especially high on doors  
leading to the lavatory. Combined  
with a non-contact switch,  
the PortaMatic is the ideal  
solution since it does  
not require you to touch  
any handles or buttons.



**Non-contact switch TWT 1**

1 function,  
Pure white RAL 9010  
■ **NEW**

\* To query whether the door is open  
or closed.

## Door operator PortaMatic

- Electromechanical hinged door operator for single-leaf timber and steel internal doors
- Dual handed
- Complete with integrated BiSecur radio, illumination, moment arm, slide rail, latch clamp and fixing material
- Housing colours: Silver (E6 / EV 1) or White (RAL 9016)
- Euro plug with 3 m white connection cable



Housing colour in Silver (E6 / EV 1)



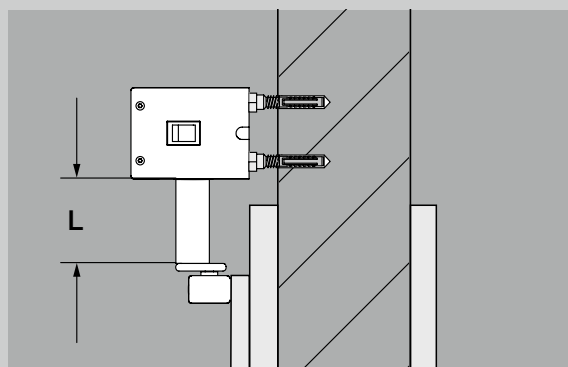
Housing colour in White (RAL 9016)

### Technical data

Dimensions (W × H × D)	60 × 560 × 78 mm
Weight	2.9 kg
Power input	Max. 0.15 kW
Standby	Approx. 1 watt
Opening angle	Max. 115 °
Tested service life	200,000 cycles/600 per day
Door width	610 to 1100 mm
Door height	Up to 2250 mm
Door weight	Up to 125 kg (up to door width 860 mm) Up to 100 kg (up to door width 985 mm) Up to 80 kg (up to door width 1110 mm)

### Shaft extension

Optional accessories for fitting the operator above the door frame  
Lengths (L) 15, 30, 45 mm



Optional shaft extension

### Functions and combination options

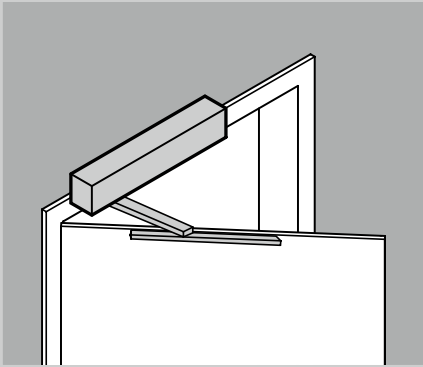
Functions	Explanation	Hold-open phase	Manual	Close door	Semi-automatic	Automatic, cable	Automatic, radio	Impulse sequence, cable	Impulse sequence, radio
Off	Voltage-free	-	●	-	-	-	-	-	-
Manual	Manual operation	-	●	○	-	○	○	○	○
Semi-automatic operation	In Open/Close direction	Time 1	-	○	●	○	○	○	○
Automatic operation	Via cable	Time 2	○	○	○	●	○	○	○
Automatic operation	Via radio	Time 2	○	○	○	○	●	○	○
Impulse operation	Via cable	-	○	○	○	○	○	●	○
Impulse operation	Via radio	-	○	○	○	○	○	○	●
Permanent open, Partially open, Ventilate	Manual, impulse sequence	-	○	-	-	-	-	○	○
Acoustic (sound) and visual (light) signalling									
Advance warning (before door travel)			-	○	-	○	○	○	○
Warning (during door travel)			-	○	○	○	○	○	○

● standard, ○ possible, - not possible

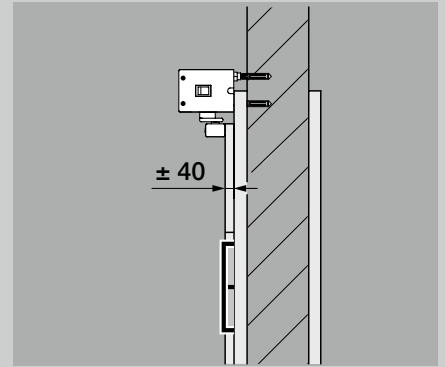
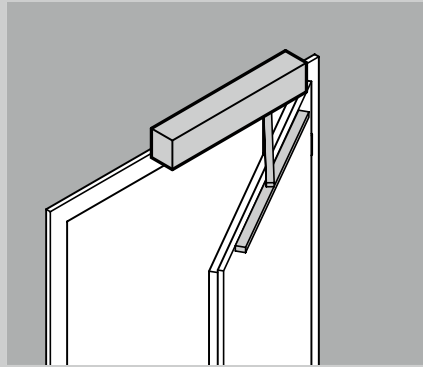
Time 1 = hold-open phase 2 – 60 sec.  
Time 2 = hold-open phase 2 – 180 sec.



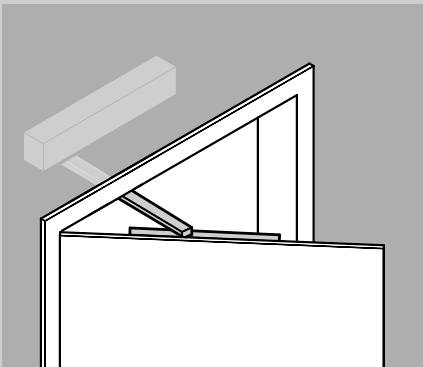
## Fitting types



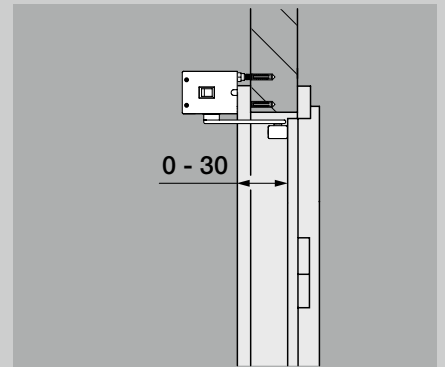
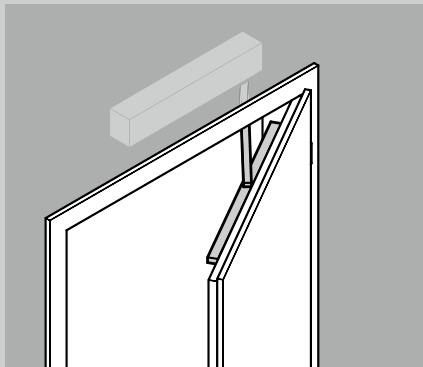
**With slide rail**  
Opening side / hinge side, pulling



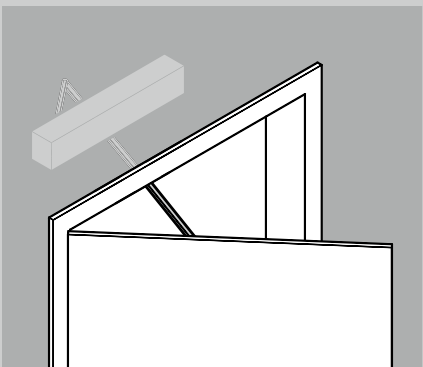
Max. rebate depth 40 mm  
Max. door overlap 40 mm



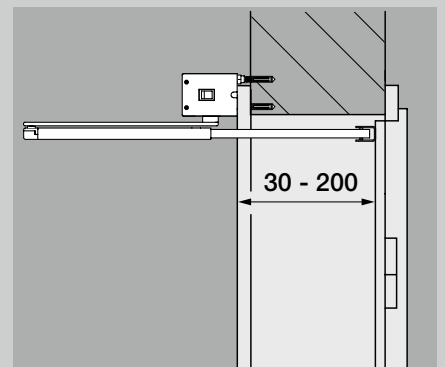
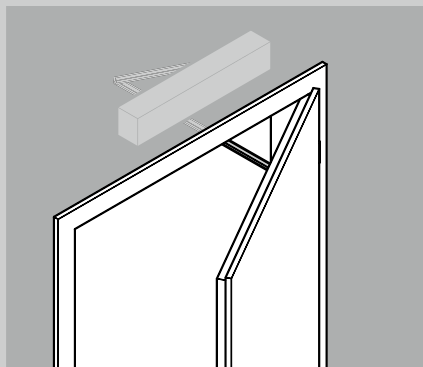
**With slide rail**  
Closing side / opposite hinge side, pushing



Reveal depth 0 - 30 mm



**With scissors linkage (optional)**  
Closing side / opposite hinge side, pushing



Reveal depth 30 - 200 mm



# Experience Hörmann quality in new construction and modernisation

Hörmann provides an excellent basis for comprehensive planning. Carefully matched solutions offer you the very best in perfectly designed products for every area.

- **Garage doors**

Optimally match your personal architectural style: up-and-over or sectional doors made of steel or timber.

- **Door operators**

Enjoy extra convenience and break-in-resistant security: Hörmann operators for garage doors and entrance gates.

- **Entrance doors**

Our comprehensive entrance door ranges include models that fit almost every need and requirement.

- **Steel doors**

Sturdy doors for your entire home, from basement to roof.

- **Frames**

Choose from our comprehensive range of products for new construction, expansion and modernisation.



Garage doors and entrance gate operators



Entrance doors



Steel doors

# HÖRMANN: QUALITY WITHOUT COMPROMISE



Hörmann KG Amshausen, Germany



Hörmann KG Antriebstechnik, Germany



Hörmann KG Brandis, Germany



Hörmann KG Brockhagen, Germany



Hörmann KG Dissen, Germany



Hörmann KG Eckelhausen, Germany



Hörmann KG Freisen, Germany



Hörmann KG Ichttershausen, Germany



Hörmann KG Werne, Germany



Hörmann Genk NV, Belgium



Hörmann Alkmaar B.V., Netherlands



Hörmann Legnica Sp. z o.o., Poland



Hörmann Beijing, China



Hörmann Tianjin, China



Hörmann LLC, Montgomery IL, USA



Hörmann Flexon LLC, Burgettstown PA, USA

Hörmann is the only manufacturer worldwide that offers you a complete range of all major building products from one source. We manufacture in highly-specialised factories using the latest production technologies. The close-meshed network of sales and service companies throughout Europe, and activities in the USA and China, make Hörmann your strong partner for first-class building products, offering "Quality without Compromise".

**GARAGE DOORS**  
**OPERATORS**  
**INDUSTRIAL DOORS**  
**LOADING EQUIPMENT**  
**HINGED DOORS**  
**DOOR FRAMES**

