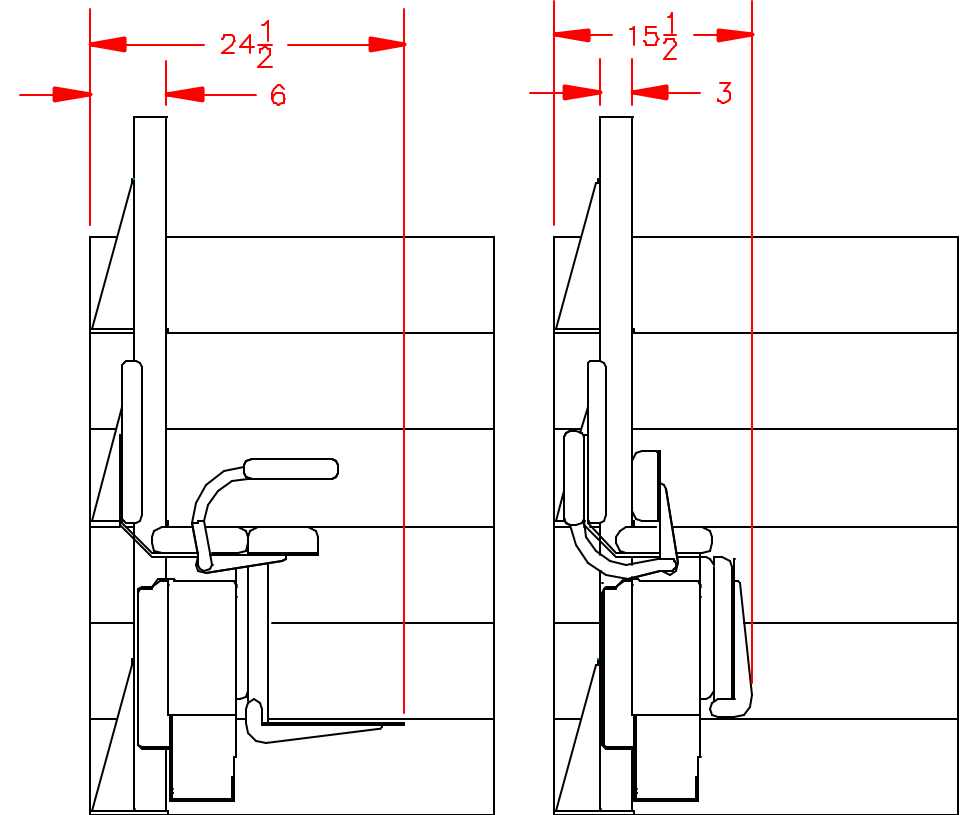
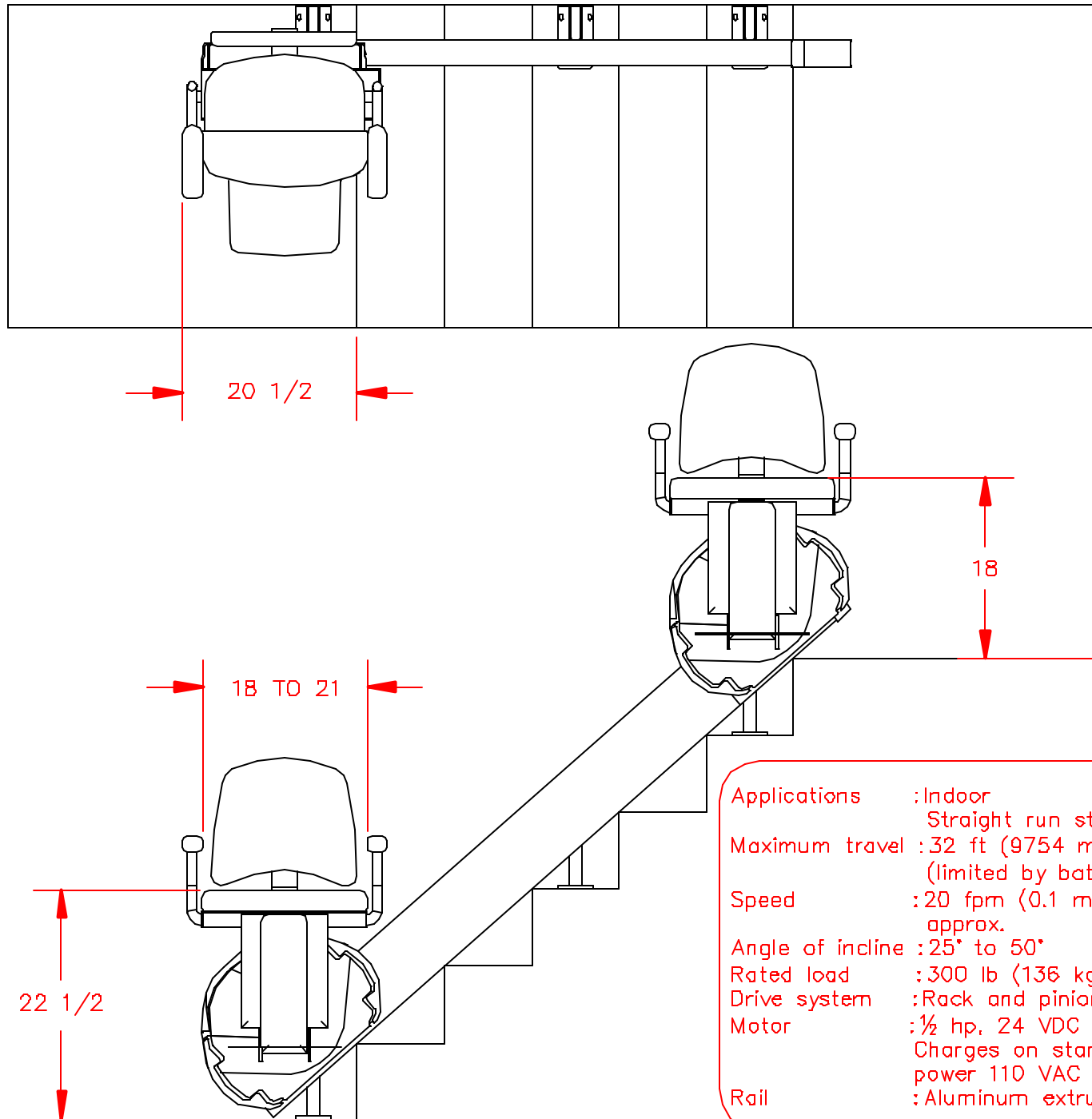


STEP-SAVER STAIRLIFT

DIMENSIONS ARE PROVIDED FOR REFERENCE PURPOSES ONLY



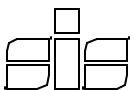
UNFOLDED POSITION

FOLDED POSITION

Applications : Indoor
 Straight run stairway
 Maximum travel : 32 ft (9754 mm)
 (limited by batteries power)
 Speed : 20 fpm (0.1 m/s)
 approx.
 Angle of incline : 25° to 50°
 Rated load : 300 lb (136 kg)
 Drive system : Rack and pinion
 Motor : $\frac{1}{2}$ hp, 24 VDC
 Charges on standard household
 power 110 VAC
 Rail : Aluminum extrusion

DIMENSIONS ARE IN INCHES

MODEL: STEP-SAVER QTY.:1

TOLERANCES IF NOT SPECIFIED					
DEC: ----		ANG: ----			
SCALE:	DRAWN BY:	NO.	REVISIONS	DATE	
----	S.ARÈS	 SERVICES INDUSTRIELS SAVARIA INC.			
MATERIAL:	DATE:				
----	2003/01/22				
DRAWING #	REV#	PAGE:	TITLE:		
----	0	1/1	STEP-SAVER		