



LAVATORY FAUCETS

- Addison® Bath Collection
- DIAMOND Seal® Technology
- Single Handle Deck Mount
- 1 or 3 Hole Mount
(Optional 6 1/4" Escutcheon Included)
- Touch2O.xt™ Technology

STANDARD SPECIFICATIONS:

- Single handle lavatory deck faucet.
- 1 or 3 hole mount (6 1/4" (159 mm) escutcheon plate included).
- Solid brass body.
- 5 1/16" (129 mm) long spout.
- 1 1/8" minimum - 1 1/2" maximum hole size.
- Lever handle. Control mechanism is the diamond embedded ceramic disc cartridge.
- Handle motion "Euro Style".
- 3/8" O.D. straight, staggered pex supply tubes 33" (838 mm) and 34" (864 mm) long.
- Maximum 1.5 gpm flowrate @ 60 PSI.
- Models include polypropylene pop-up.
- Delta Touch2O.xt™ Technology offers both touch and proximity sensing technology to control water flow.
- Blue light flashes for proximity activation and solid blue for touch activation.
- On-Off indicator light signals red when batteries are low.
- Uses 4 AA batteries (included).

WARRANTY

- Lifetime limited warranty on parts (other than electronic parts and batteries) and finishes: or, for commercial users, for 5 years from date of purchase.
- 5 year limited warranty on electronic parts (other than batteries); or, for commercial users, for 1 year from the date of purchase. No warranty is provided on batteries.

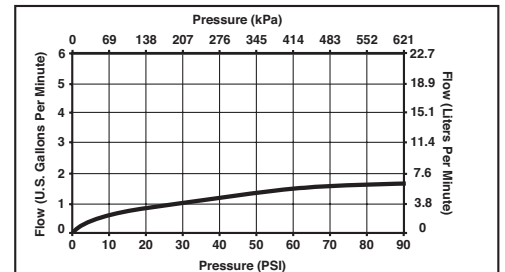


COMPLIES WITH:

- ASME A112.18.1 / CSA B125.1
- ASME A112.18.2 / CSA B125.2

Indicates compliance to ICC/ANSI A117.

- Verified compliant with .25% weighted average wetted Pb content regulations.
- EPA WaterSense®

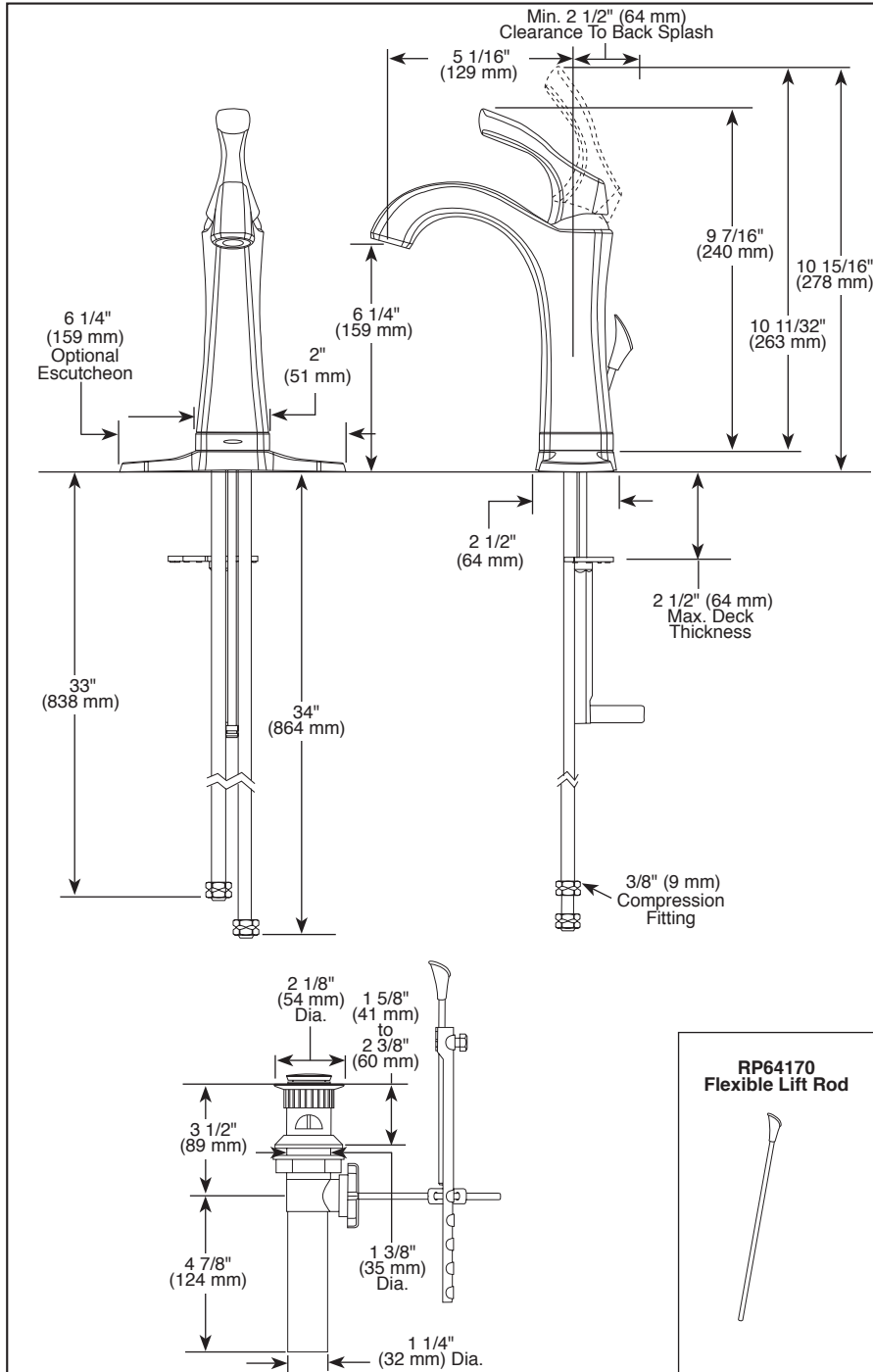


55 E. 111th Street, Indianapolis, Indiana 46280
 350 South Edgeware Road, St. Thomas, ON N5P 4L1
 © 2013 Masco Corporation of Indiana



Submitted Model No.: _____

Specific Features: _____



▲ Designate Proper Finish Suffix

Delta reserves the right (1) to make changes in specifications and materials, and (2) to change or discontinue models, both without notice or obligation. Dimensions are for reference only. See current full-line price book or www.deltafaucet.com for finish options and product availability.

DSP-L-592T-DST Rev. D