



BEKABULK



BEKABULK LED 15W

 BEKABULK



BEKABULK



BEKABULK LED 15W



BEKABULK with wireguard



## APPLICATIONS

- Industrial lighting
- Public buildings
- Utility applications

## KEY ADVANTAGES

- Ingress protection - IP 65
- Corrosion-resistant high-pressure die-cast aluminium
- Injection-moulded high-impact acrylic diffuser
- Powerful lumen package of up to 2 400 lumen

## CONSTRUCTION DETAILS

The luminaire consists of a high-pressure die-cast aluminium body and a structured clear high impact acrylic diffuser. It is rectangular in shape and is designed to operate a range of compact fluorescent lamps up to 2\*18W or LEDs up to 15W.

## SABS MARKS

The luminaire bears the SANS 60598-2-1 safety mark.

## INGRESS PROTECTION

The luminaire has a degree of protection that complies with SANS 60598-2-1.

Lamp compartment: IP 65

The IP rating is certified by an SABS test report.

## BODY

- The body is manufactured from high-pressure die-cast aluminium, powder coated in the colour specified for added protection.
- It is suitable for surface mounting and allows for surface conduits to enter.
- A silicone sponge gasket is fitted into a groove in the body.
- Mounting holes, complete with nylon washers, can be provided on request.
- The LED version is supplied with mounting lugs.

## DIFFUSER

- The diffuser is manufactured from injection-moulded, high-impact, non-discolouring acrylic.
- It is structured on the inside and smooth on the outside.
- The diffuser is held to the body by four captive stainless steel Allen head screws.
- A tongue arrangement provided on the diffuser ensures the integrity of the IP rating.

## GEARTRAY

- The geartray is manufactured from 1.6mm galvanised and passivated steel, powder coated white to prevent corrosion and improve reflectance.
- It can be removed by merely loosening two screws.

## LED

- Minimum 60 000hrs lifetime.
- Effective high-power Osram LED, 5 000K at a colour rendering index >70.

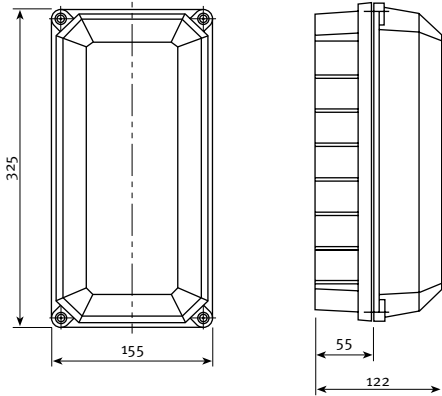
## ELECTRICAL COMPONENTS

- All electrical components and lamp holders are mounted on the geartray.
- It is suitable for operation with the specified rating of the lamp on a 230V +3%/-10% 50Hz single phase system.
- All control gear components are removable and bear the relevant SABS mark.
- All internal wiring is Teflon® coated with protective sleeving to prevent damage by possible abrasion.
- All screws, bolts and metal parts are stainless steel or non-corrosive material.
- Mains connections are by means of a suitable screw terminal block with a wire clamping contact.
- The luminaire is power factor corrected to a minimum of 0,9.
- In the LED version, the diffuser is permanently sealed to the aluminium base and is supplied with a 0,5m long 1mm<sup>2</sup> silicone cable.

# DIMENSIONS IN MM

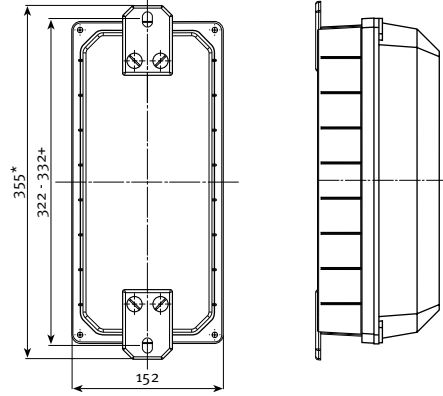
## CFL version

Front view

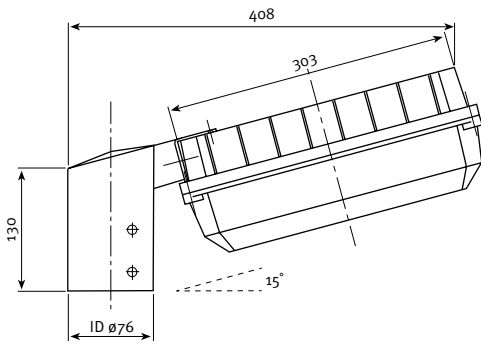


## LED version

Rear view



Bottom entry mounting

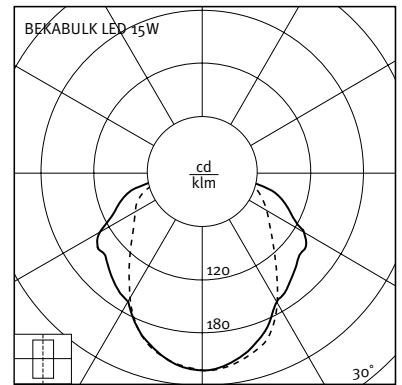
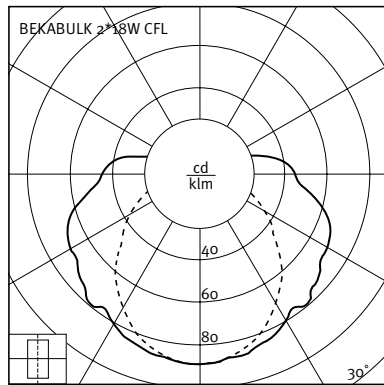
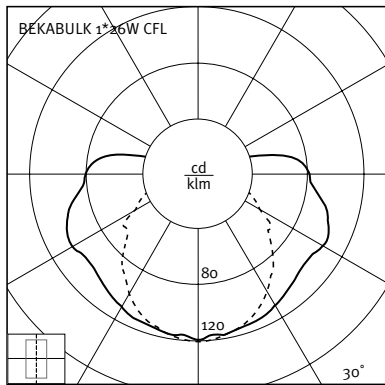


\* Overall dimension including mounting lugs  
+ Distance of centre hole

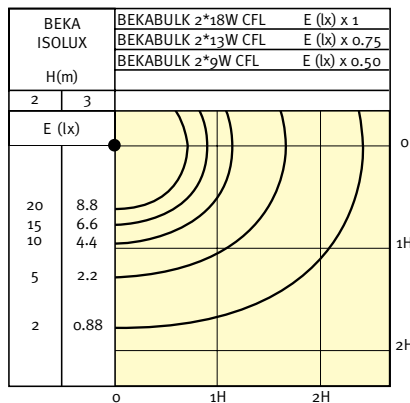
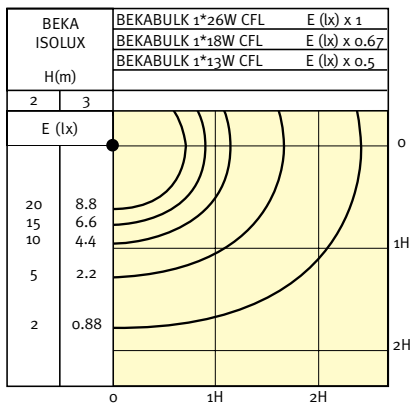
# LIGHT DISTRIBUTIONS

## INTENSITY DISTRIBUTION

Electronic data files can be downloaded from  
[www.beka-schreder.co.za/knowledge-base](http://www.beka-schreder.co.za/knowledge-base)



## HORIZONTAL ILLUMINANCE



## ORDERING DATA

DESCRIPTION	LAMP	LAMP HOLDER	LUMEN	MASS (KG)
<b>LED</b>				
BEKABULK LED 15W	LED 12/1.2W	-	1 670	2
<b>CFL - Electronic Control Gear</b>				
BEKABULK 9W	1*TC-SEL 9W	2G7	600	2.2
BEKABULK 2*9W CFL	2*TC-SEL 9W	2G7	600/lamp	2.2
BEKABULK 13W CFL	1*TC-DEL 13W	G24q-1	900	2.5
BEKABULK 2*13W CFL	2*TC-DEL 13W	G24q-1	900/lamp	2.8
BEKABULK 18W CFL	1*TC-DEL 18W	G24q-2	1 200	2.5
BEKABULK 2*18W CFL	2*TC-DEL 18W	G24q-2	1 200/lamp	2.8
BEKABULK 26W CFL	1*TC-DEL 26W	G24q-3	1 800	2.5
<b>CFL - Conventional Control Gear</b>				
BEKABULK 9W CFL	1*TC-9W	G23	600	2.2
BEKABULK 2*9W CFL	2*TC 9W	G23	600/lamp	2.2
BEKABULK 13W CFL	1*TC-D 13W	G24d-1	900	2.5
BEKABULK 2*13W CFL	2*TC-D 13W	G24d-1	900/lamp	2.8
BEKABULK 18W CFL	1*TC-D 18W	G24d-2	1 200	2.5
BEKABULK 2*18W CFL	2*TC-D 18W	G24d-2	1 200/lamp	2.8
BEKABULK 26W CFL	1*TC-D 26W	G24d-3	1 800	2.5
BEKABULK 1*36W CFL	1*TC-FEL 36W	2G10	2 800	2.6
<b>EMERGENCY VERSION</b>				
EM-BEKABULK LED 15W/10W(EM) 1hr ST	LED	-	1670/1160	2.2
<b>ZONE 2 VERSION</b>				
Z2 BEKABULK 1*26W CFL	TC-D 26W	G24d-3	1 800	2.5
<b>ZONE 21/22</b>				
Z21/22 BEKABULK 1*26W CFL	TC-D 26W	G24d-3	1 800	2.5

Standard colour: Telegrey 1 (RAL 7045)

## OPTIONS AND ACCESSORIES

<b>MECHANICAL</b>	
<b>Mounting</b>	Bottom entry $\varnothing$ 76mm
	Mounting lugs for long axis (not required for LED version, since supplied with luminaire)
<b>Colour</b>	Other RAL colours available on request
<b>Extras</b>	Eyelid
	Stainless steel helicoil inserts
	Pre-drilled holes for surface conduit
	Wireguard, hot-dipped galvanised steel
	Wireguard, stainless steel

Designed and manufactured by BEKA Schröder (Pty) Ltd - South Africa  
**Manufacturers of Luminaires and Glass Fibre Poles**

06/14



BEKA Schröder (Pty) Ltd | 13 West View Road | P.O. Box 120 | Olifantsfontein | 1665 | South Africa  
 T: +27 11 238 0000 | F: +27 11 238 0180  
 info@beka-schreder.co.za | www.beka-schreder.co.za

