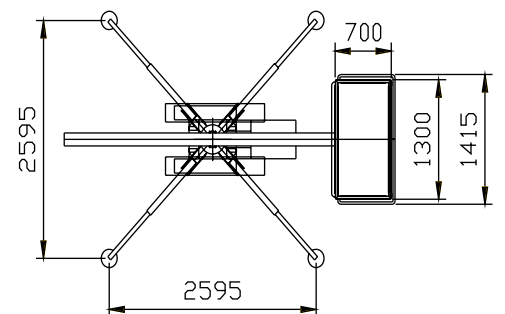
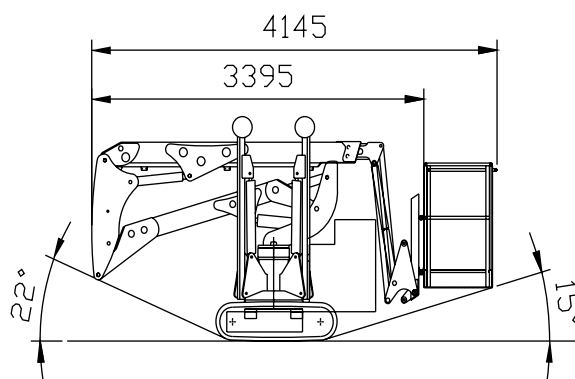
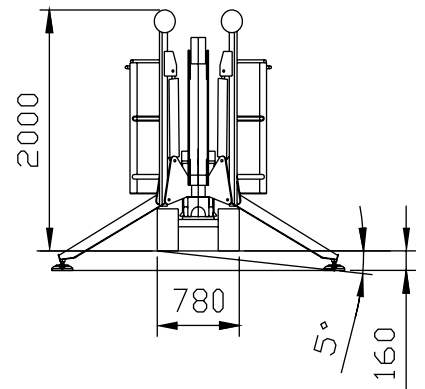
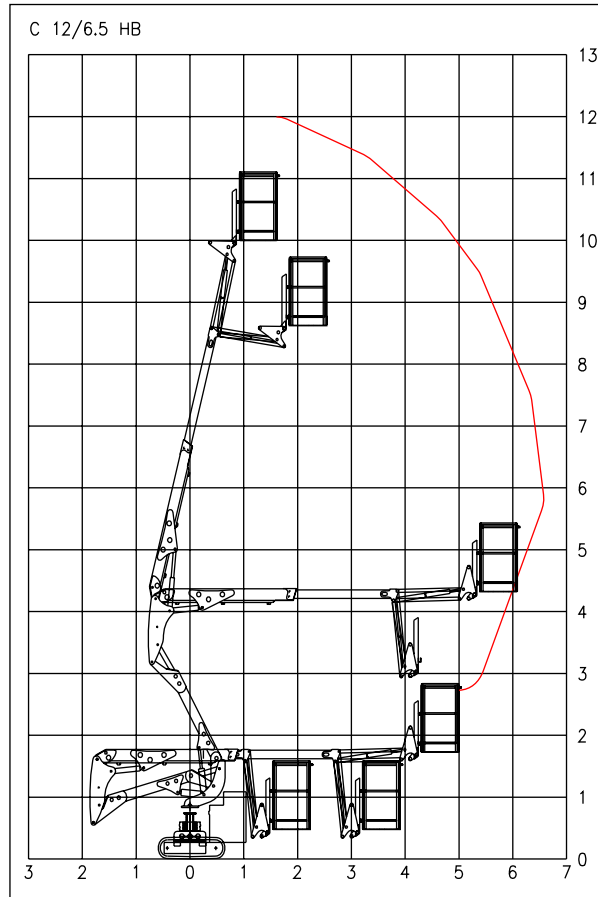


BLUELIFT C12/6.5 H

Reach diagram



TCA LIFT A/S

Tolderundsvej 106
DK-5000 Odense C
Phone: +45 66 13 11 00
www.tcalift.com

All measurements are intended as guide. Choice of equipment may change the mentioned measurements

Bluelift C12/6.5

Working height	12m
Max. reach	6,5m
Max. load in basket	200kg
Turret rotation	340°
Maximum gradient	28%

Dimensions:

Length	3395 / 4145mm
Height	2145mm
Width	780mm
Weight	1550kg
Outrigger cross section	3225 x 3225mm

Standard equipment

Hydraulic outriggers
220V electric pump
Auto start / stop (engine)
220V outlet in basket
Portable control box
FMS (Function Memory System)

Options

Non marking tracks
Water / air outlet in basket
Basket rotation +/-90°
Auto setting
Honda iGX440 15hp engine
Lombardini / Hatz diesel engine
Radio Control



As all our products are in a constant process of development we reserve the right to alterations