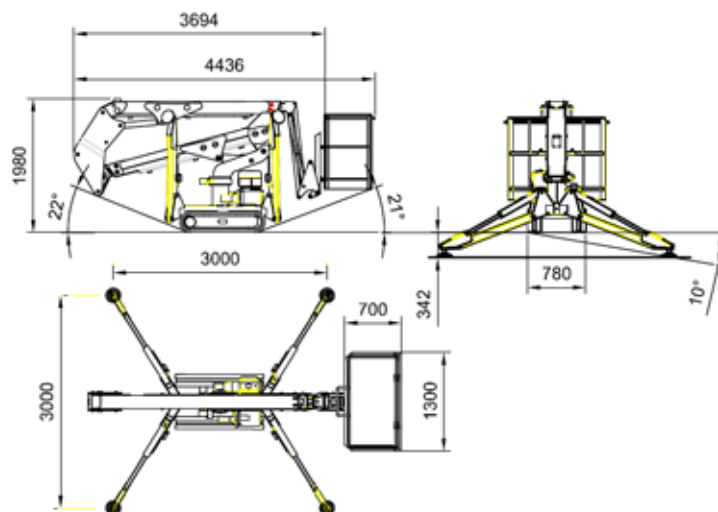
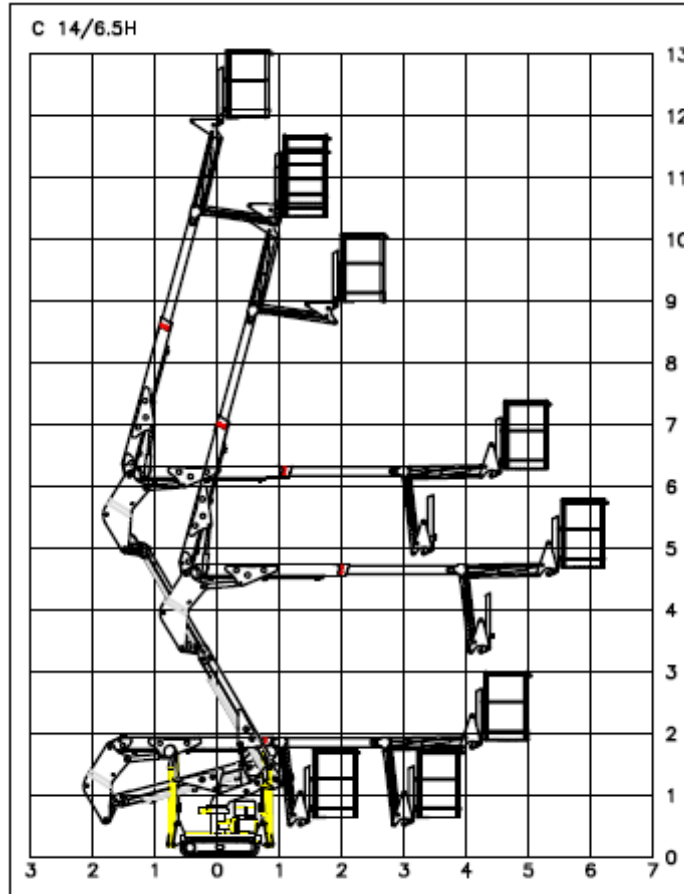


BLUELIFT C14/6.5 H

Reach diagram



TCA LIFT A/S

Tolderlundsvej 106
DK-5000 Odense C
Phone: +45 66 13 11 00
www.tcalift.com

All measurements are intended as guide. Choice of equipment may change the mentioned measurements

Bluelift C14/6.5

Working height	14m
Max. reach	6,5m
Max. load in basket	200kg
Turret rotation	>320°
Maximum gradient	28%

Dimensions:

Length	3694 / 4436mm
Height	1980mm
Width	780mm
Weight	1850kg
Outrigger cross section	3000 x 3000mm

Standard equipment

Options

Auto setting	Basket rotation +/-90°
Radio control	Non marking tracks
Hydraulic outriggers	Adjustable track width (hydraulic)
220V electric pump	Lombardini / Hatz diesel engine
Honda iGX440 15hp engine	
Auto start / stop	
FMS (Function Memory System)	



As all our products are in a constant process of development we reserve the right to alterations