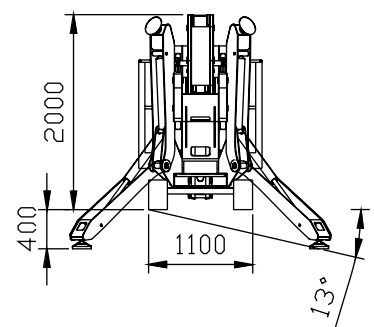
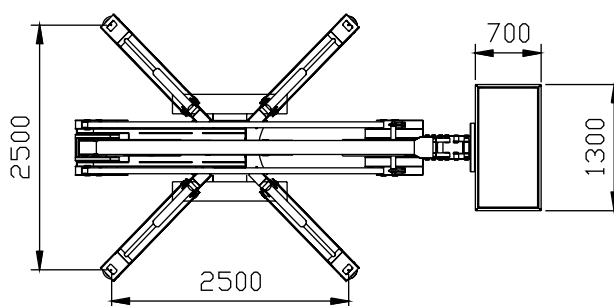
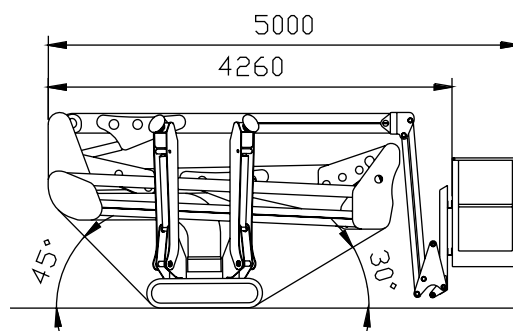
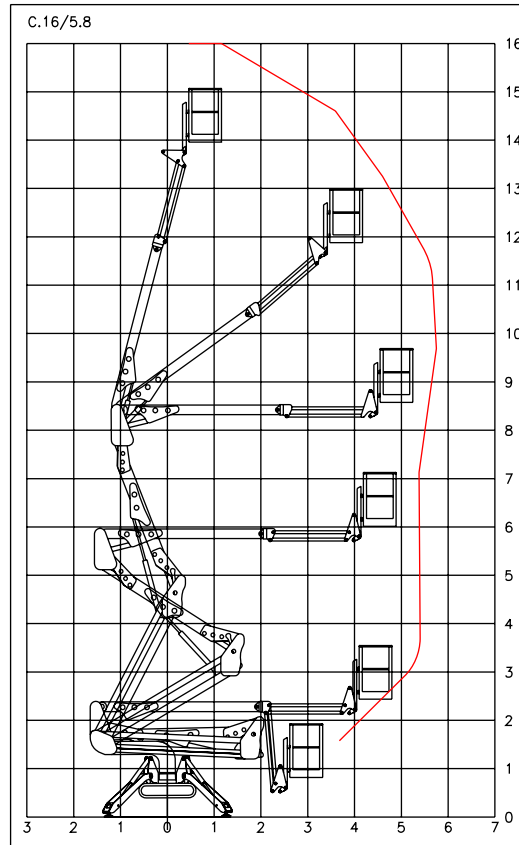


BLUELIFT C16/5.8

Reach diagram



TCA LIFT A/S

Tolderlundsvej 106
DK-5000 Odense C
Phone: +45 66 13 11 00
www.tcalift.com

All measurements are intended as guide. Choice of equipment may change the mentioned measurements

Bluelift C16/5.8

Working height	16m
Max. reach	5.8m
Max. load in basket	200kg
Turret rotation	340°
Maximum gradient	25%

Dimensions:

Length	4260 / 5000mm
Height	2000mm
Width	1100mm
Weight	2050kg
Outrigger cross section	2500 x 2500mm

Standard equipment

Hydraulic outriggers
220V electric pump
Auto start / stop (engine)
220V outlet in basket
Portable control box
FMS (Function Memory System)

Options

Non marking tracks
Water / air outlet in basket
Basket rotation +/-90°
Auto setting
Honda iGX440 15hp engine
Lombardini / Hatz diesel engine
Radio Control



As all our products are in a constant process of development we reserve the right to alterations