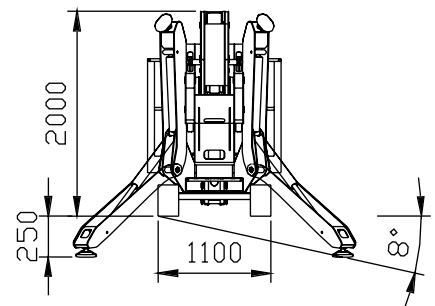
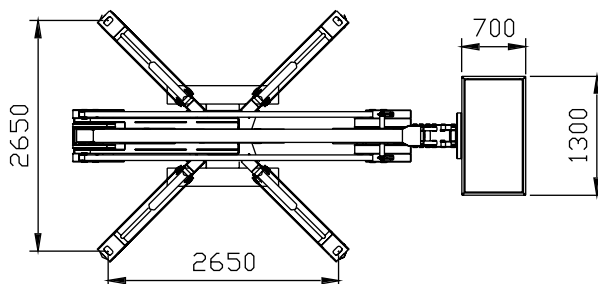
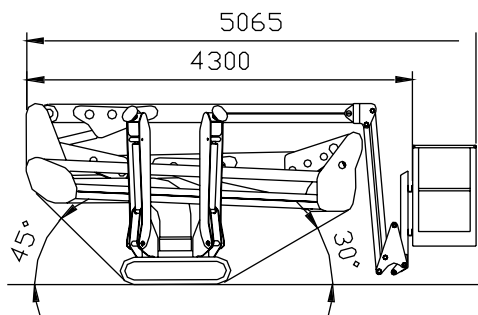
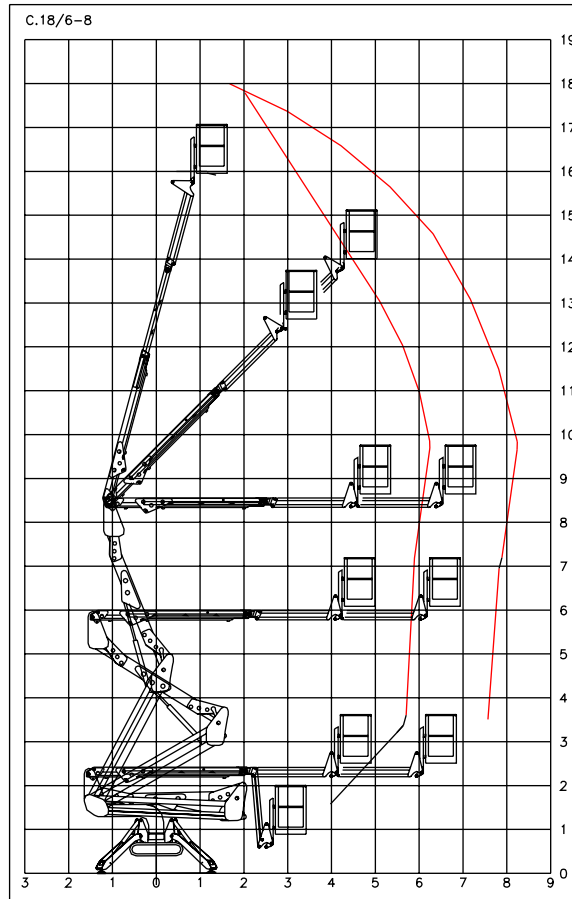


BLUELIFT C18/8

Reach diagram



TCA LIFT A/S

Tolderlundsvej 106
DK-5000 Odense C
Phone: +45 66 13 11 00
www.tcalift.com

All measurements are intended as guide. Choice of equipment may change the mentioned measurements

Bluelift C18/8

Working height	18m
Max. reach	8,3m
Max. load in basket	200kg
Turret rotation	340°
Maximum gradient	26%

Dimensions:

Length	4300 / 5065mm
Height	2000mm
Width	1100mm
Weight	2350kg
Outrigger cross section	2650 x 2650mm

Standard equipment	Options
Auto setting	Non marking tracks
220V electric pump	Water / air outlet in basket
Auto start / stop (engine)	Basket rotation +/-90°
220V outlet in basket	Radio Control
Portable control box	Honda iGX440 15hp engine
FMS (Function Memory System)	Lombardini / Hatz diesel engine
Hydraulic outriggers	



As all our products are in a constant process of development we reserve the right to alterations