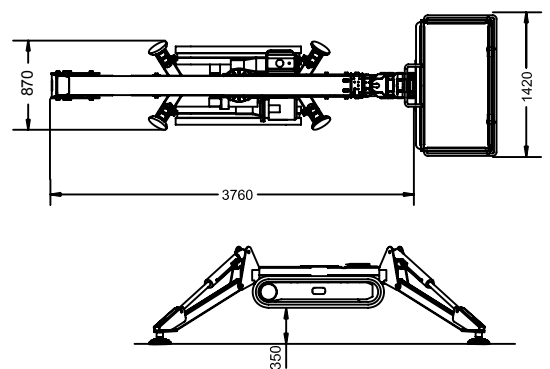
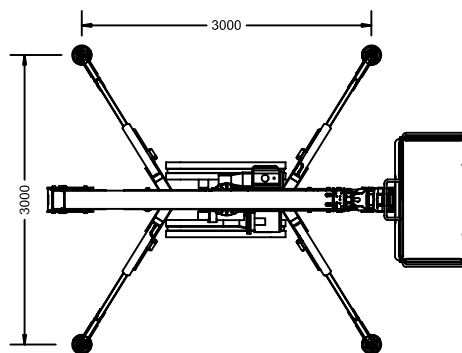
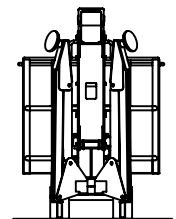
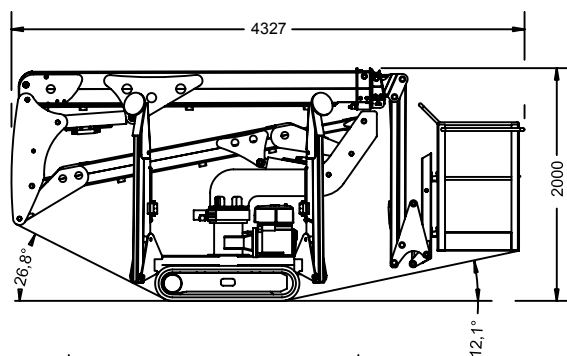
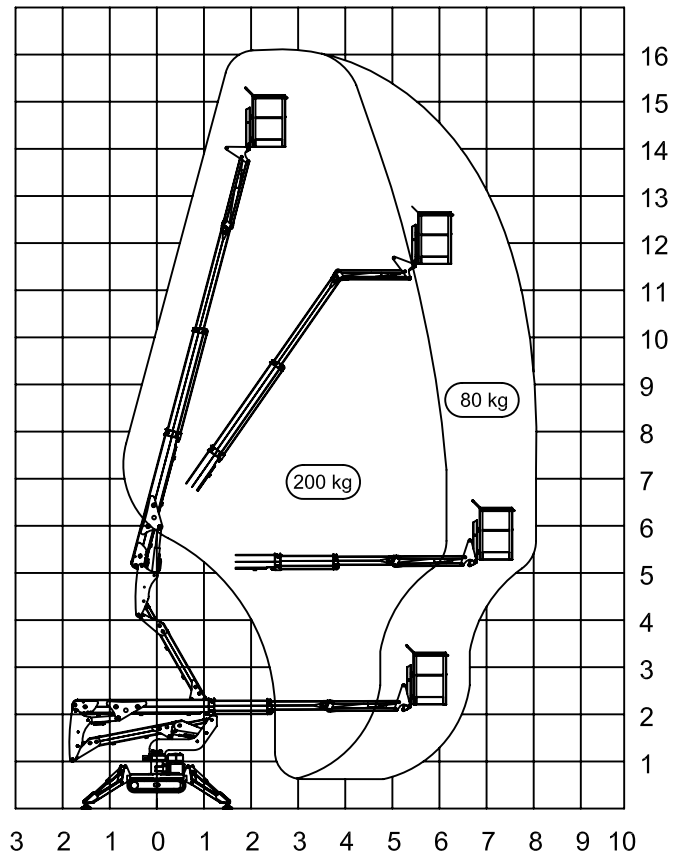


BLUELIFT SA16 Compact

Reach diagram



TCA LIFT A/S

Tolderlundsvej 106
DK-5000 Odense C
Phone: +45 66 13 11 00
www.tcalift.com

All measurements are intended as guide. Choice of equipment may change the mentioned measurements

Bluelift SA16 Compact

Working height	16m
Max. reach	8,3m
Max. load in basket	200kg
Turret rotation	>320°
Maximum gradient	28%

Dimensions:

Length	4327 / 3760mm
Height	1998mm
Width	780mm
Weight	2150kg
Outrigger cross section	3000 x 3000mm

Standard equipment

Auto setting
220V electric pump
Auto start / stop (engine)
220V outlet in basket
Portable control box
FMS (Function Memory System)
Hydraulic outriggers

Options

Non marking tracks
Water / air outlet in basket
Basket rotation +/-90°
Adjustable track width (hydraulic)
Honda iGX440 15hp engine
Lombardini / Hatz diesel engine
Radio Control



As all our products are in a constant process of development we reserve the right to alterations