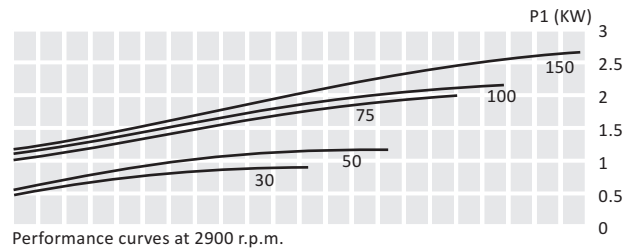
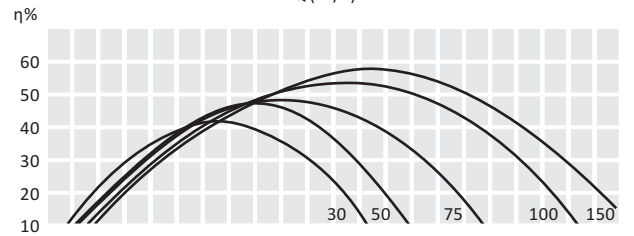
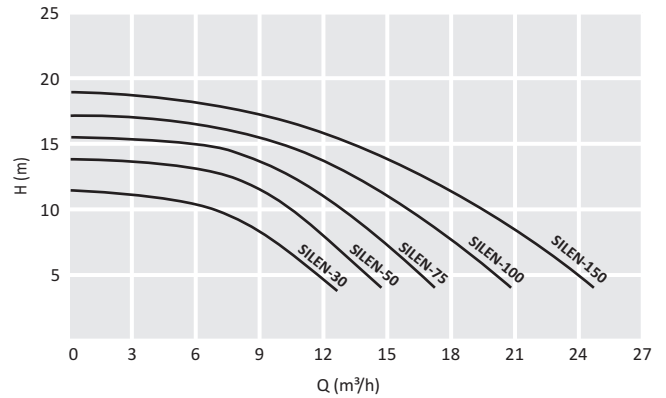


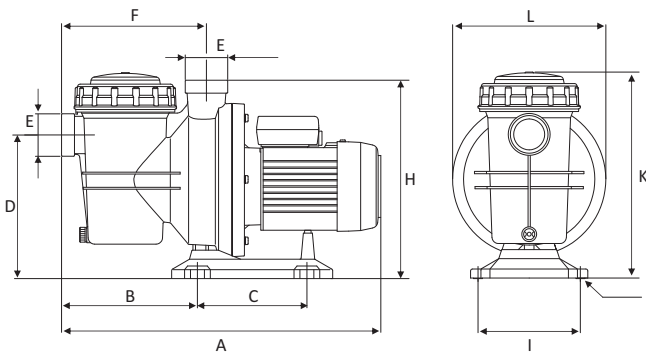


## SELF PRIMING PUMP "SILEN"

- Single-stage centrifugal pumps, self-priming, complete with prefilter.
- Pump body, pump foot, diffuser, impeller and seal mounting in tecnopolimer.
- Motor shaft in stainless steel AISI 420.
- O'rings in NBR.
- IP 55 protection.
- Class F insulation.
- Continuous operation.
- Single phase version built-in thermal protection.
- 2900 r.p.m.
- Mechanical seal in graphite and aluminum.
- Motor housing in aluminum.



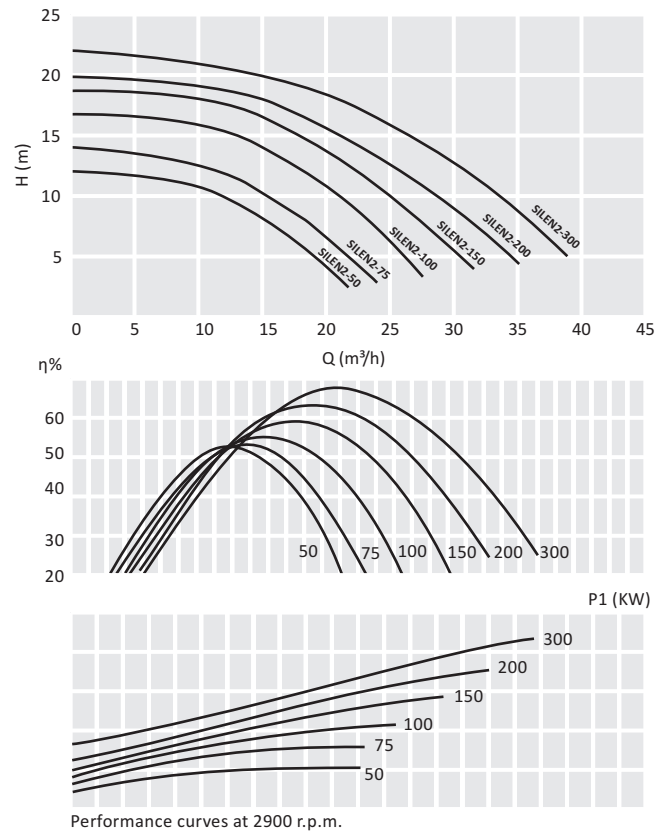
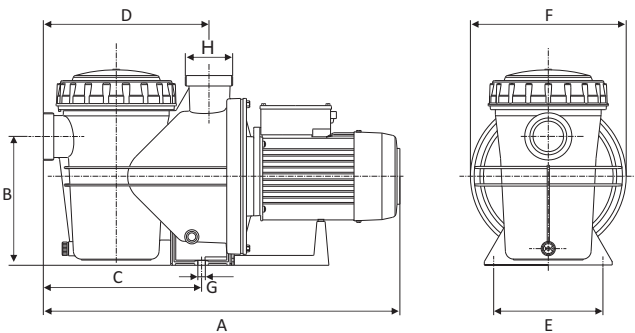
Performance curves at 2900 r.p.m.



	CODE	POWER		DIMENSIONS										PACKING	WEIGHT	VOLUME	
		HP	kW	A	B	C	D	E	F	H	I	J	K				L
230 V - 50 Hz	SILEN-30 M	0.6	0.44	495	211	170	225	2 1/4"	225	308	159	∅9	319	238	1	8.9	0.04
	SILEN-50 M	0.6	0.44	495	211	170	225	2 1/4"	225	308	159	∅9	319	238	1	8.9	0.04
	SILEN-75 M	0.75	0.55	495	211	170	225	2 1/4"	225	308	159	∅9	319	238	1	10.2	0.04
	SILEN-100 M	1.0	0.75	495	211	170	225	2 1/4"	225	308	159	∅9	319	238	1	10.9	0.04
	SILEN-150 M	1.5	1.1	495	211	170	225	2 1/4"	225	308	159	∅9	319	238	1	13.5	0.04
230/400 V - 50 Hz	SILEN-50	0.6	0.44	495	211	170	225	2 1/4"	225	308	159	∅9	319	238	1	8.9	0.04
	SILEN-75	0.75	0.55	495	211	170	225	2 1/4"	225	308	159	∅9	319	238	1	10.2	0.04
	SILEN-100	1.0	0.75	495	211	170	225	2 1/4"	225	308	159	∅9	319	238	1	10.9	0.04
	SILEN-150	1.5	1.1	495	211	170	225	2 1/4"	225	308	159	∅9	319	238	1	13.5	0.04

## SELF PRIMING PUMP "SILEN 2"

- Single-stage self-priming, centrifugal pumps, complete with prefilter.
- Pump body, pump foot, diffuser, impeller and seal mounting in tecnopolimer.
- Motor shaft in stainless steel AISI 420.
- O rings in NBR.
- IP 55 protection.
- Class F insulation.
- Continuous operation.
- Single phase version built-in thermal protection.
- 2900 r.p.m.
- Mechanical seal in graphite and aluminum.
- Motor housing in aluminum.



	CODE	POWER		DIMENSIONS							PACKING	WEIGHT	VOLUME	
		HP	kW	A	B	C	D	E	F	G				H
230V - 50Hz	SILEN2-50 M	0.75	0.55	623.5	222	272	285	188	268	Ø13	2¾"	1	14	0.06
	SILEN2-75 M	0.75	0.55	623.5	222	272	285	188	268	Ø13	2¾"	1	14	0.06
	SILEN2-100 M	1.25	0.92	623.5	222	272	285	188	268	Ø13	2¾"	1	15	0.06
	SILEN2-150 M	1.5	1.1	623.5	222	272	285	188	268	Ø13	2¾"	1	18	0.06
	SILEN2-200 M	2.0	1.5	623.5	222	272	285	188	268	Ø13	2¾"	1	21	0.06
	SILEN2-300 M	3.0	2.2	623.5	222	272	285	188	268	Ø13	2¾"	1	23	0.06
230/400V - 50Hz	SILEN2-50	0.75	0.55	623.5	222	272	285	188	268	Ø13	2¾"	1	14	0.06
	SILEN2-75	0.75	0.55	623.5	222	272	285	188	268	Ø13	2¾"	1	14	0.06
	SILEN2-100	1.25	0.92	623.5	222	272	285	188	268	Ø13	2¾"	1	15	0.06
	SILEN2-150	1.5	1.1	623.5	222	272	285	188	268	Ø13	2¾"	1	18	0.06
	SILEN2-200	2.0	1.5	623.5	222	272	285	188	268	Ø13	2¾"	1	21	0.06
	SILEN2-300	3.0	2.2	609.5	222	272	285	188	268	Ø13	2¾"	1	23	0.06