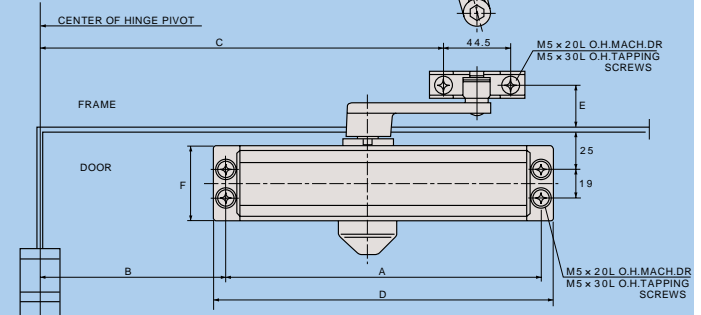
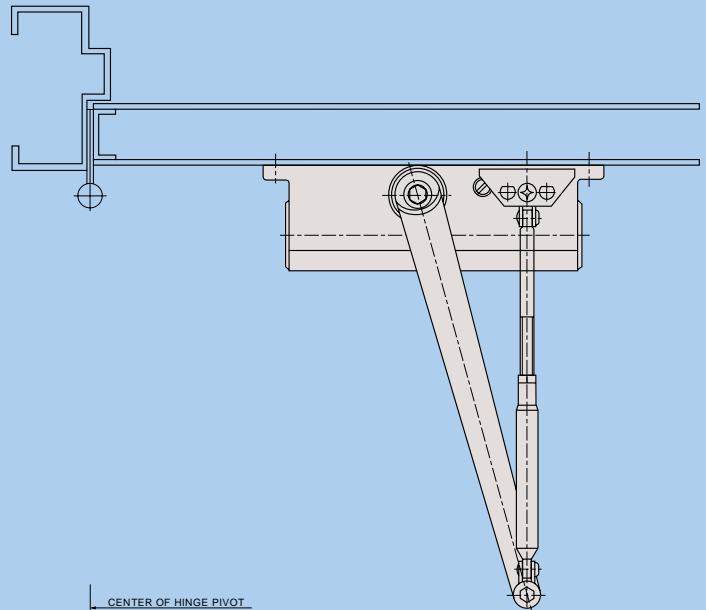
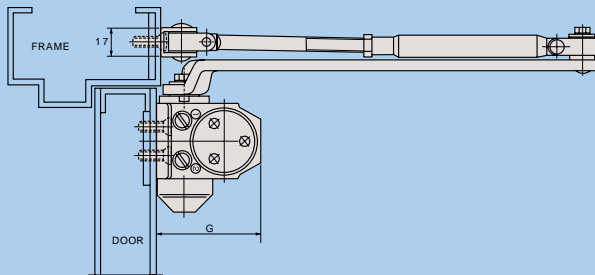


# DRAWING

## STANDARD APPLICATION

DIMENSIONS MODELS	A	B	C	D	E	F	G
7001	162	120	225	178	22	41	64.5
7002	188	125	270	205	27.5	48	70.5
7003	208			225			
7004	230			247			
7005				247			

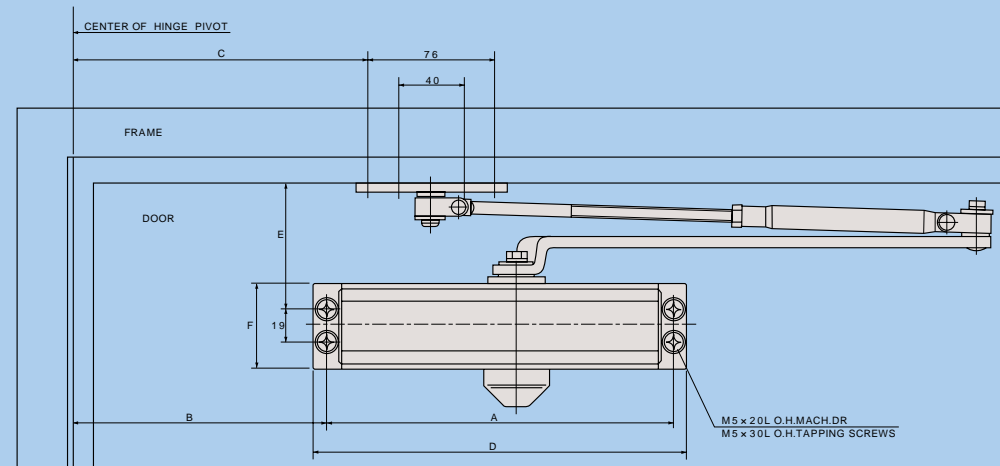
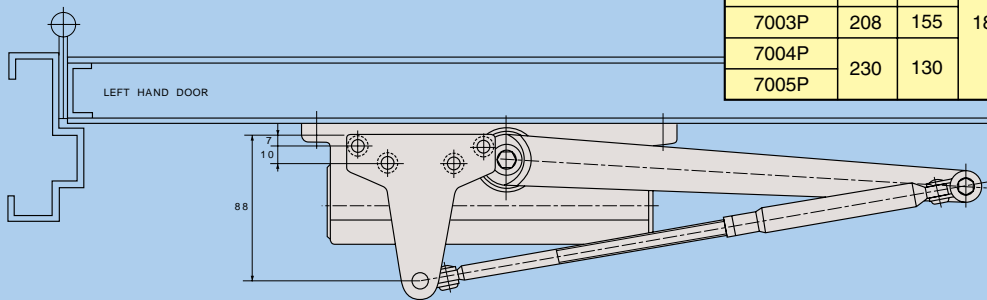
(mm)



## PARALLEL ARM APPLICATION

DIMENSIONS MODELS	A	B	C	D	E	F	G
7001P	162	160	150	178	68	41	64.5
7002P	188	175	180	205	73	48	70.5
7003P	208	155		225			
7004P	230	130		247			
7005P				247			

(mm)



M5 x 20L O.H.MACH.DR  
M5 x 30L O.H.TAPPING SCREWS

