

Gentle and silent: Smuso



Soft Closing System for Sliding Doors, from 2–80 kg



The logo of consistent soft closing systems on sliding doors for 2–80 kg door weight

Häfele leads the way: For the first time, soft closing systems are available for all types of sliding doors – for furniture and also for buildings. For immediate installation or retrofitting.

Thanks to the Smuso modular soft closing system, sliding doors in furniture and rooms are smoothly and silently brought to a stop when they are closed and gently pulled into the end position, where they are securely held. The soft closing systems are retrofitted in already installed sliding doors. They can also be recess mounted in the cabinet top for lightweight furniture sliding doors. An extremely aesthetic variant.





Soft close for sliding doors? The advantages:



Less noise

Sliding doors with soft closing system should be installed on furniture and in rooms where considerable concentration and quiet are required. In bedrooms, hotel and patient rooms, conference and meeting rooms, offices and barrister's offices, doctor's surgeries, care and treatment rooms and the wellness area.



Avoid accidents

Anywhere where small children, old people and/or people in need of care are present, soft closing systems on sliding doors effectively prevent fingers from being trapped in doors. The automatic gentle braking and closing of the door leaves prevents hard collisions, and therefore goes a long way to preventing accidents.



Extremely convenient

Soft closing systems provide additional operating convenience on any sliding door. This means that less force is required to close the doors, and the doors automatically glide gently into the end position. Conveniently and safely in any situation.



Material-friendly

Hard collisions between sliding doors and the frames and end profiles cause additional wear to running gears, stoppers, tracks, door leaves and door profiles. The self closing mechanism and the soft closing system ensure that the sliding doors are protected and can be used for many years.

Smuso – easy to install, and can be retrofitted at any time

Smuso soft close systems are specially designed and tested for different sliding doors.

Many types of sliding doors can also be retrofitted with Smuso soft closing systems. This is made possible by simple screw fixing.

Improve the convenience and effectiveness of sliding doors using Smuso soft close.

The additional cost of installing the soft close feature always pays for itself.



Three different types of soft closing systems – suitable for any purpose:

Smuso SD

The luxury class for small and light-weight furniture doors with leaf weights of 2–25 kg. For doors made from wood or glass.

Smuso CD

The reliable standard class for sliding doors in the medium door leaf weight range of 25–50 kg.

Smuso AD

The premium class for sliding doors – particularly on door openings in buildings. For door leaf weights of 35–80 kg. A must for every contemporary sliding door.

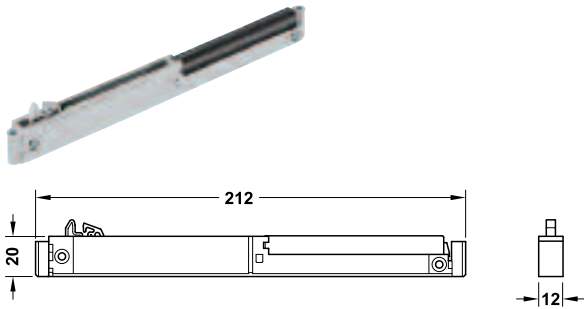


Follower bracket for sliding door fittings:	SD		CD		AD	Page:
	2–15 kg 405.12.015	16–25 kg 405.12.025	up to 25 kg 405.11.106	up to 50 kg 405.11.107	up to 80 kg soft close with follower bracket	
EKU-Clipo	405.12.301 F 405.12.300 R	405.12.301 F 405.12.300 R	–	–	–	6
EKU-Regal	405.12.302 R+F	405.12.302 R+F	–	–	–	7
StarTec 30 IF	–	–	405.11.201 R 405.11.203 F	405.11.201 R 405.11.203 F	–	9
StarTec 50 VF	–	–	405.11.200 R 405.11.202 F	405.11.200 R 405.11.202 F	–	10
Silent VF 40	–	–	405.11.189 R+F	405.11.189 R+F	–	11
Mixfront Rotula 40/75	–	–	405.11.187 R+F	405.11.187 R+F	–	12
Mixfront Rotula 50	–	–	405.11.188 R+F	405.11.188 R+F	–	13
Hangroller VF	–	–	405.11.161 R 405.11.160 F	405.11.161 R 405.11.160 F	–	14
Hawa Junior 80	–	–	–	–	940.80.043	15

F = front door R = rear door

Smuso SD 15/SD 25 Soft closing mechanism

For sliding door fittings, with self closing mechanism



- Area of application: For light-weight and medium-weight sliding doors, 0 – 15 kg or 16 – 25 kg
- Material: Plastic
- Colour: Light grey
- Installation: For recess mounting or screw fixing to cabinet base

Note

Soft closing mechanism suitable for sliding door fittings

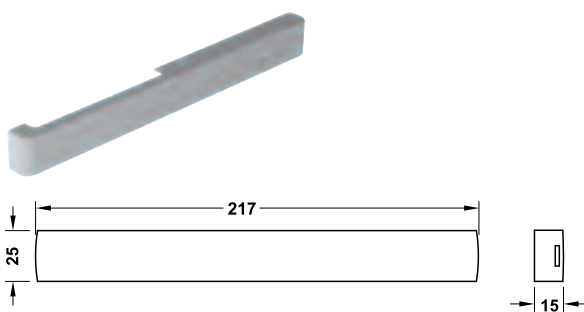
- EKU Regal B
- Clipo 15, front door
- Clipo 15, rear door

	Door weight kg	Cat. No.
Smuso SD 15 soft closing mechanism	2 – 15	405.12.015
Smuso SD 25 soft closing mechanism	16 – 25	405.12.025

Packing: 1 or 20 pieces

→ Cover

For Smuso SD 15/SD 25 soft closing mechanism



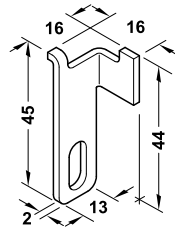
- Material: Plastic
- Installation: For clipping onto soft closing mechanism
- Suitable for: Left and right

	Colour	Cat. No.
Cover for Smuso SD 15/SD 25 soft closing mechanism	Grey	405.12.250
	Silver coloured	405.12.290

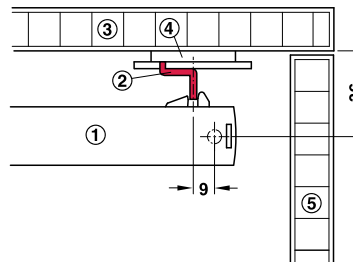
Packing: 1 or 20 pieces

→ Follower bracket

For EKU Regal B

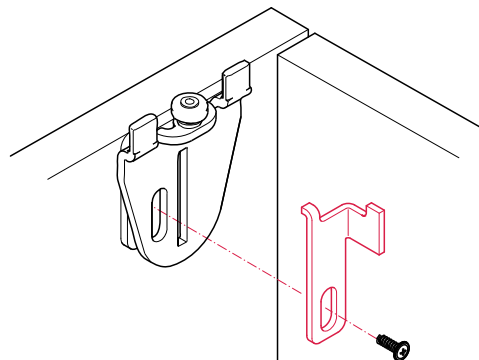


Installation



Follower bracket, pre-mounted

- 1 = Soft closing mechanism
- 2 = Follower bracket
- 3 = Sliding door
- 4 = Sliding door fitting
- 5 = Cabinet side



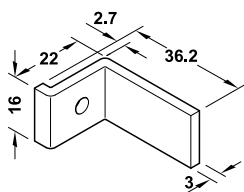
Follower bracket installation

- Area of application: For cabinets with 1-leaf sliding doors with EKU Regal B sliding door fitting
- Material: Steel
- Finish: Galvanized

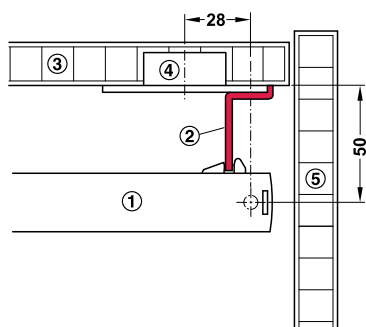
	Cat. No.
Follower bracket for EKU Regal B	405.12.302

Packing: 1 piece

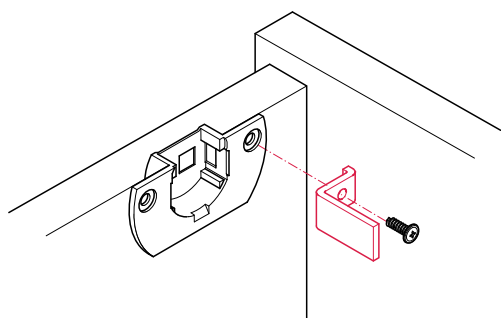
→ **Follower bracket**
For Clipo 15, front door



Installation



- Follower bracket, pre-mounted
1 = Soft closing mechanism
2 = Follower bracket
3 = Sliding door
4 = Sliding door fitting
5 = Cabinet side



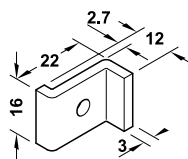
Follower bracket installation

- Area of application: For front sliding door on cabinets with Clipo 15 sliding door fitting
- Material: Steel
- Finish: Galvanized

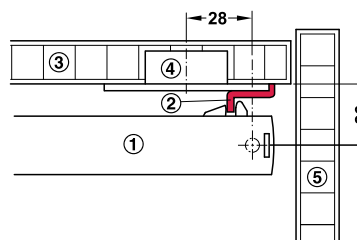
	Cat. No.
Follower bracket for Clipo 15, front door	405.12.301

Packing: 1 piece

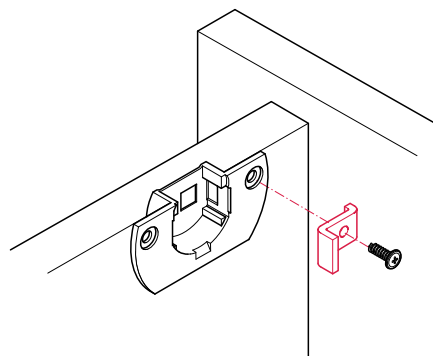
→ **Follower bracket**
For Clipo 15, rear door



Installation



- Follower bracket, pre-mounted
1 = Soft closing mechanism
2 = Follower bracket
3 = Sliding door
4 = Sliding door fitting
5 = Cabinet side



Follower bracket installation

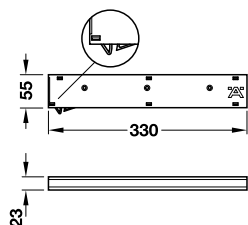
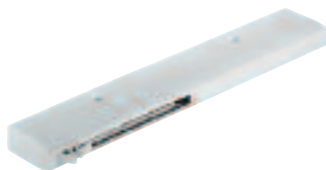
- Area of application: For rear sliding door on cabinets with Clipo 15 sliding door fitting
- Material: Steel
- Finish: Galvanized

	Cat. No.
Follower bracket for Clipo 15, rear door	405.12.300

Packing: 1 piece

Smuso CD Soft closing mechanism

For sliding door fittings, with self closing mechanism



- Area of application: For sliding door weights up to 50 kg
- Material: Plastic
- Colour: Light grey
- Installation: For screw fixing beneath or to the cabinet top
- Mounting: For DIN left hand and DIN right hand use

Note

Soft closing mechanism suitable for sliding doors

- Vorfront Silent-VF 40
- Mixfront Rotula 40/75
- Vorfront Rotula 50.
- Infront StarTec 30 IF
- Vorfront StarTec 50 VF
- Vorfront Silent-VF 40
- Vorfront Hangroller

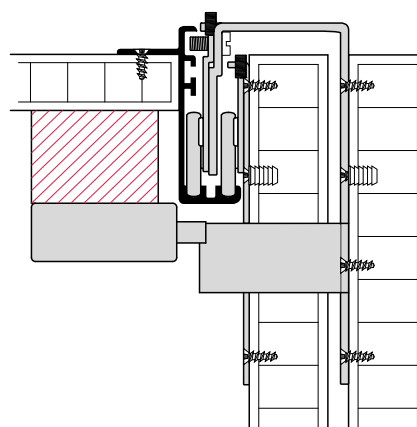
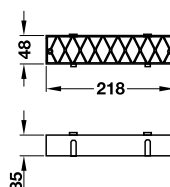
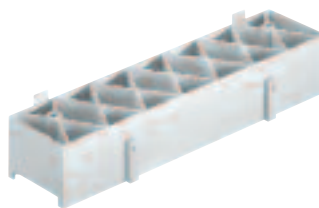
Follow bracket for other sliding door fittings available on request.

Area of application	Cat. No.
For door weights up to 25 kg	405.11.106
For door weights up to 50 kg	405.11.107

Packing: 1 or 20 pieces

Follow bracket for Vorfront Silent-VF 40	▶ Page 139
Follow bracket for Mixfront Rotula 40/75	▶ Page 140
Follow bracket for Vorfront Rotula 50	▶ Page 141
Follow bracket for Infront StarTec 30 IF	▶ Page 142
Follow bracket for Vorfront StarTec 50 VF	▶ Page 143
Follow bracket for Vorfront Silent-VF 40	▶ Page 144

→ Spacer



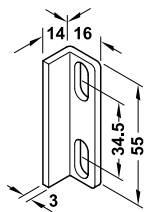
- Material: Plastic
- Colour: Grey
- Installation: For screw fixing beneath cabinet top
- Mounting: For DIN left hand and DIN right hand use

	Cat. No.
Spacer	405.11.194

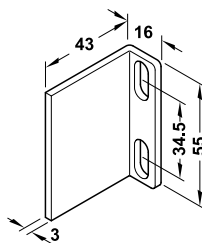
Packing: 1 or 250 pieces

→ **Follower bracket**

For Infront StarTec 30 IF

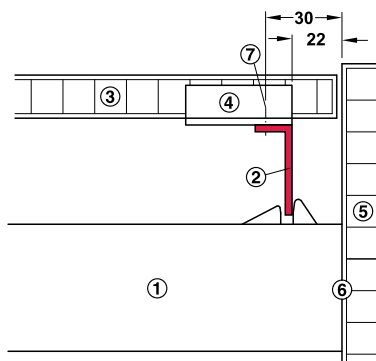
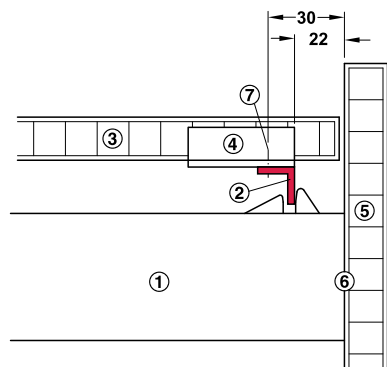


Bracket for rear door



Bracket for front door

Installation



Follower bracket, pre-mounted

1 = soft closing mechanism

2 = follower bracket

3 = sliding door

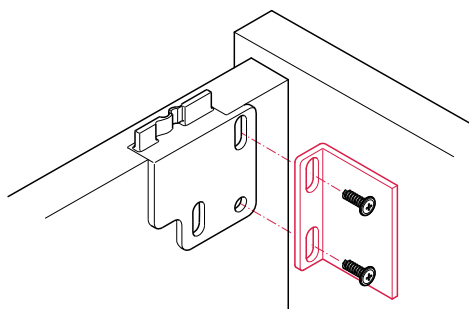
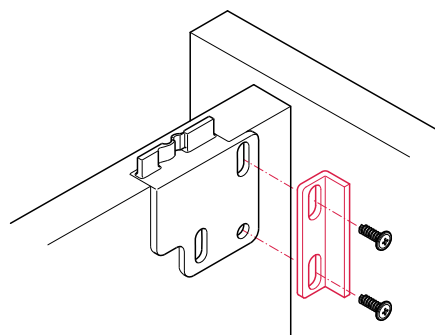
4 = sliding door fitting

5 = cabinet side panel

6 = soft closing mechanism must be installed directly against the cabinet side panel

7 = first drill hole for follower bracket from door edge = 30 mm + door gap (as required by the customer)

Please refer to the page that includes the fitting for other drilling dimensions.



Follower bracket installation

Note

Install soft closing mechanism directly to the top panel.

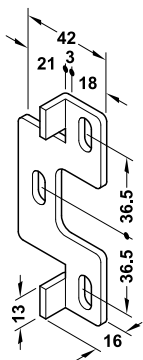
- Material: Steel
- Finish: Galvanized

Area of application	Cat. No.
For rear door	405.11.201
For front door	405.11.203

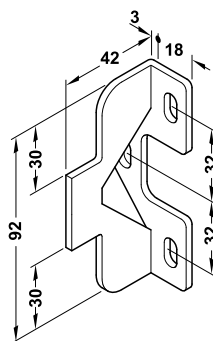
Packing: 1 piece

→ **Follower bracket**

For Vorfront StarTec 50 VF

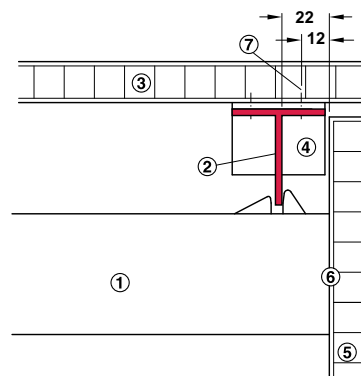
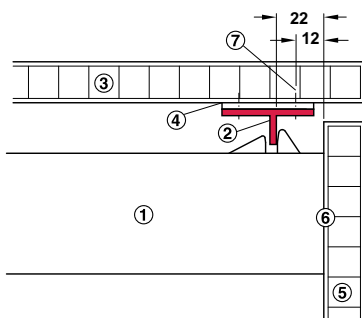


Bracket for rear door



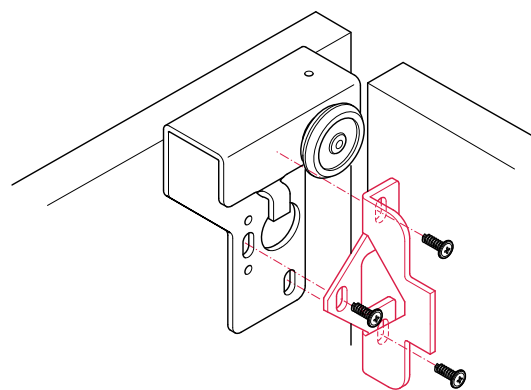
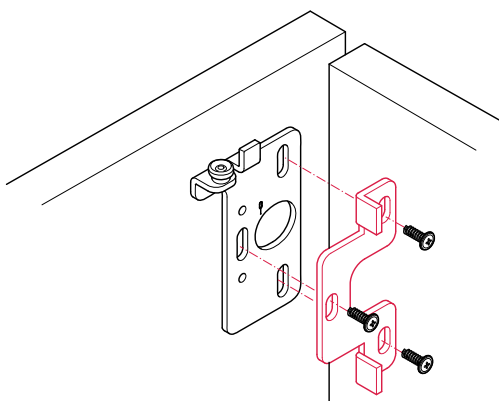
Bracket for front door

Installation



Follower bracket, pre-mounted

1 = soft closing mechanism 2 = follower bracket, 3 = sliding door, 4 = sliding door fitting, 5 = cabinet side panel
6 = soft closing mechanism must be installed directly against the cabinet side panel and the rear must lie against the track
7 = first drill hole for runner/follower bracket from door edge = 12 mm + door overlap (as required by the customer)
Please refer to the page that includes the fitting for other drilling dimensions.



Follower bracket installation

Note

A spacer must be installed on site between top panel and soft closing mechanism.

Top panel thickness	Spacer thickness
16 mm	19 mm
19 mm	16 mm
22 mm	13 mm

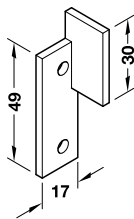
- Material: Steel
- Finish: Galvanized

Area of application	Cat. No.
For rear door	405.11.200
For front door	405.11.202

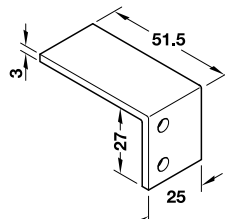
Packing: 1 piece

→ **Follower bracket**

For Vorfront Silent-VF 40

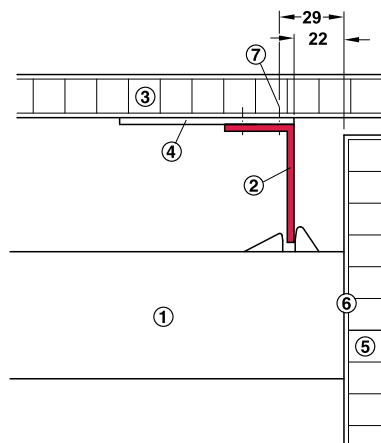
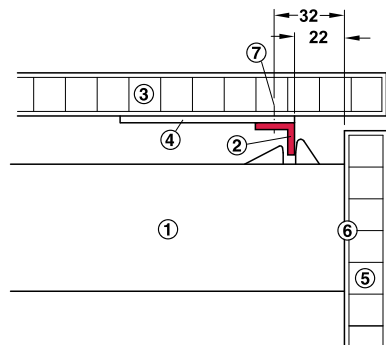


Bracket for rear door



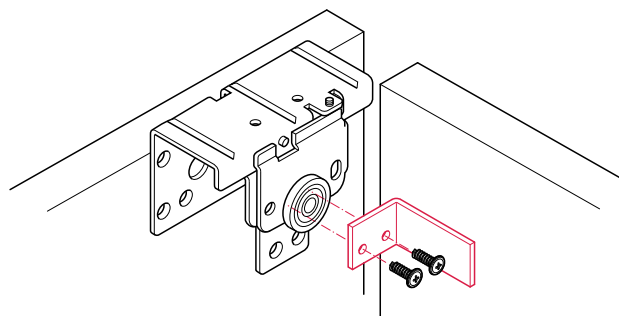
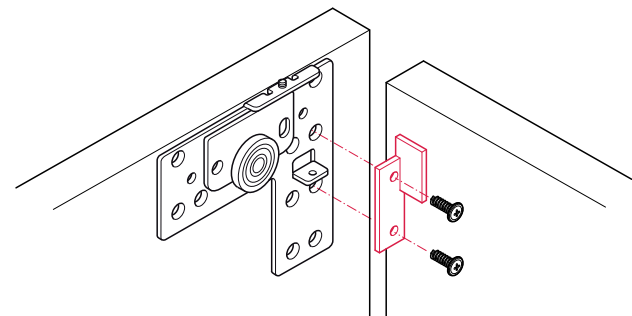
Bracket for front door

Installation



Follower bracket, pre-mounted

- 1 = soft closing mechanism
 - 2 = follower bracket
 - 3 = sliding door
 - 4 = sliding door fitting
 - 5 = cabinet side panel
 - 6 = soft closing mechanism must be installed directly against the cabinet side panel and the rear must lie against the track
 - 7 = first drill hole for follower bracket from door edge = 32 mm (rear door) or 29 mm (front door) + door overlap
- Please refer to the page that includes the fitting for other drilling dimensions.



Follower bracket installation

Note

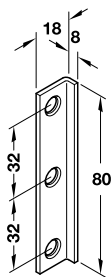
A spacer must be installed on site between top panel and soft closing mechanism.

- Material: Steel
- Finish: Galvanized

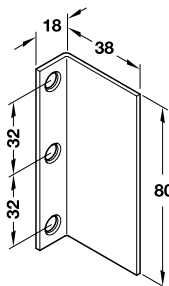
Area of application	Packing	Cat. No.
For rear door	1 piece	405.11.175
For front door	1 piece	405.11.176
For rear and front door	1 set	405.11.189

→ **Follower bracket**

For Mixfront Rotula 40/75

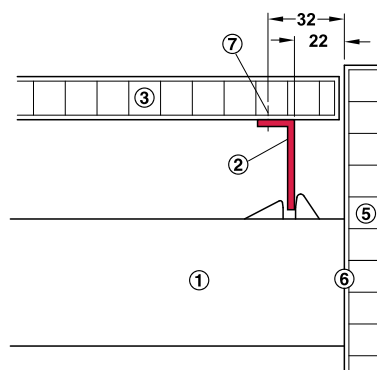
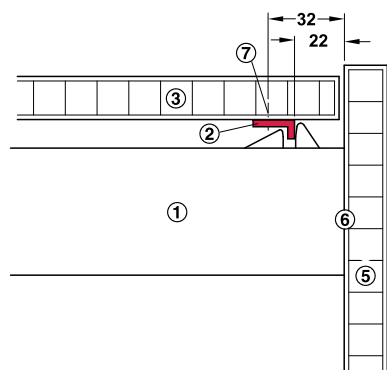


Bracket for rear door



Bracket for front door

Installation



Follower bracket, pre-mounted

1 = soft closing mechanism

2 = follower bracket

3 = sliding door

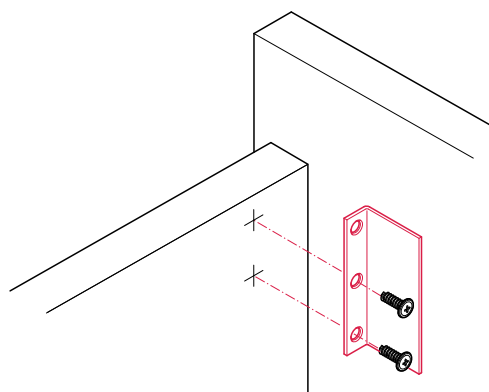
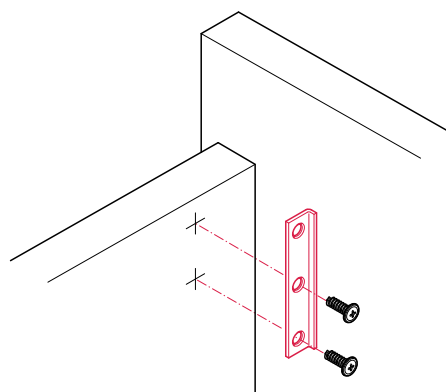
4 = sliding door fitting

5 = cabinet side panel

6 = soft closing mechanism must be installed directly against the cabinet side panel

7 = first drill hole for follower bracket from door edge = 32 mm + door gap or door overlap (as required by the customer)

Please refer to the page that includes the fitting for other drilling dimensions.



Follower bracket installation

Note

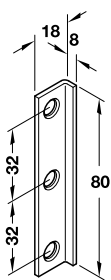
A spacer must be installed on site between top panel and soft closing mechanism.

- Material: Steel
- Finish: Galvanized

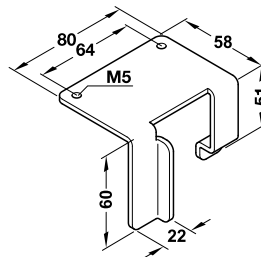
Area of application	Packing	Cat. No.
For rear door	1 piece	405.11.177
For front door	1 piece	405.11.178
For rear and front door	1 set	405.11.187

→ **Follower bracket**

For Vorfront Rotula 50

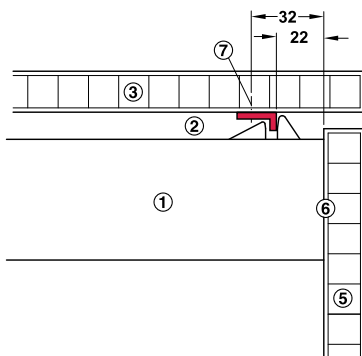


Bracket for rear door

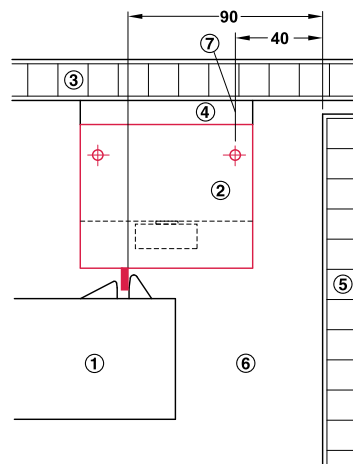


Bracket for front door

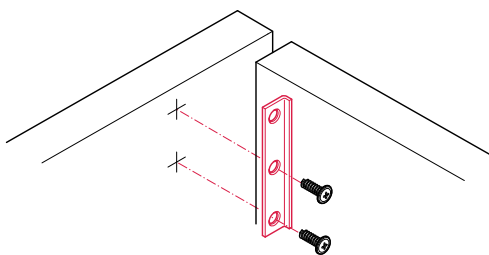
Installation



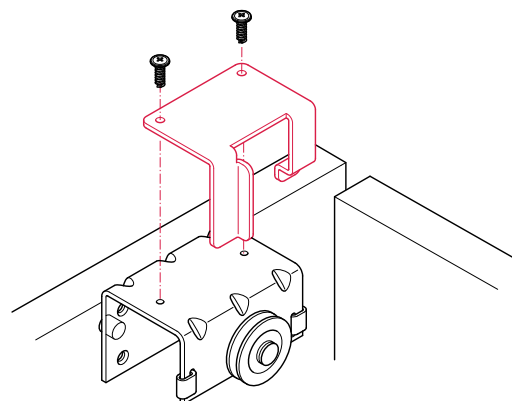
Follower bracket, pre-mounted



- 1 = soft closing mechanism
 - 2 = follower bracket
 - 3 = sliding door
 - 4 = sliding door fitting
 - 5 = cabinet side panel
 - 6 = soft closing mechanism must be installed right against the cabinet side panel
 - 7 = first drill hole for follower bracket from door edge = 32 mm (rear door) or 40 mm (front door) + door overlap
- Please refer to the page that includes the fitting for other drilling dimensions.



Follower bracket installation



Note

Install soft closing mechanism directly to the top panel.

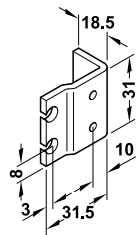
• Material:	Steel
• Finish:	Galvanized

Area of application	Packing	Cat. No.
For rear door	1 piece	405.11.177
For front door	1 piece	405.11.179
For rear and front door	1 set	405.11.188

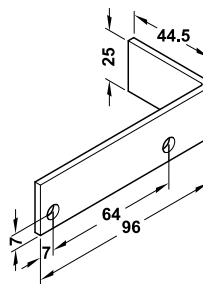
Dimensional data not binding. We reserve the right to alter specifications without notice.

→ **Follower bracket**

For Vorfront Hangroller, for door distance 29 mm

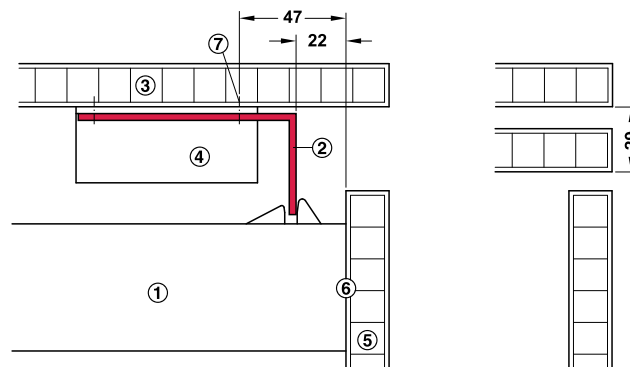
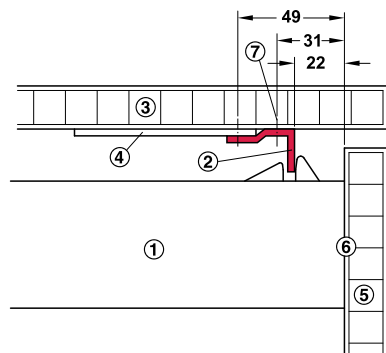


Bracket for rear door



Bracket for front door

Installation



Follower bracket, pre-mounted

1 = soft closing mechanism

2 = follower bracket

3 = sliding door

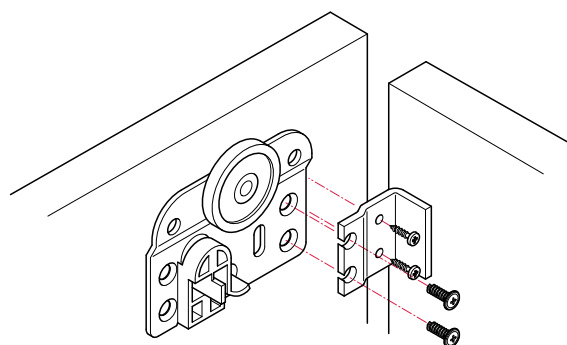
4 = sliding door fitting

5 = cabinet side panel

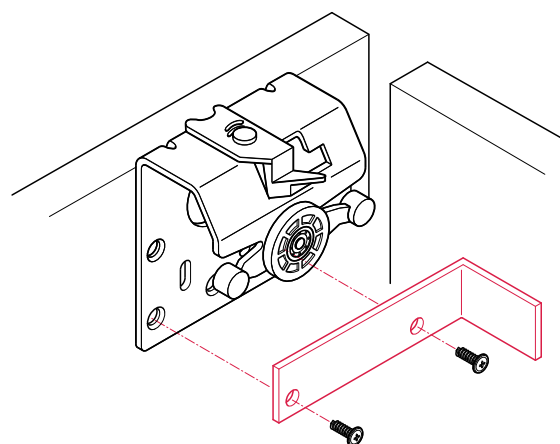
6 = soft closing mechanism must be installed directly against the cabinet side panel

7 = first drill hole for follower bracket from door edge = 31 mm (rear door) or 47 mm (front door) + door overlap

Please refer to the page that includes the fitting for other drilling dimensions.



Follower bracket installation



Note

A spacer must be installed on site between top panel and soft closing mechanism.

The left door must always be the front door.

- Material: Steel
- Finish: Galvanized

Area of application	Cat. No.
For rear door	405.11.161
For front door	405.11.160

Packing: 1 piece

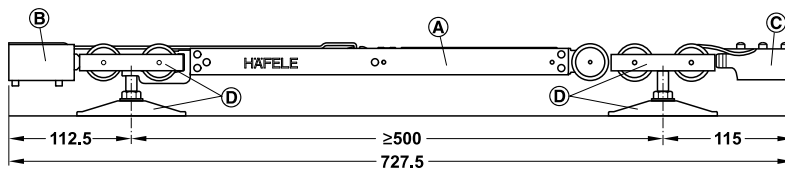
Häfele Smuso AD Soft close for Hawa Junior 80

For door weights up to 80 kg

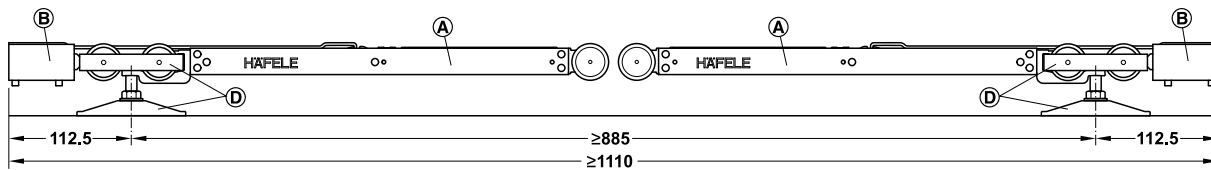


- Area of application: For 1-leaf and 2-leaf sliding doors
- Suitable for: Wooden doors: Hawa Junior 80/Z, 80/B,
glass doors: Hawa Junior 80/GP, 80/GL, 80/GS, 80/G
- Door weight: ≤ 80 kg
- Installation: For suspending in running gear

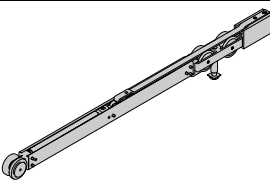
Smuso AD Soft close, single-sided



Smuso AD Soft close, double-sided



- Ⓐ Häfele Smuso AD soft close
- Ⓑ Häfele stopper with catch
- Ⓒ Hawa track buffer
- Ⓓ Junior 80 (example: Junior 80/Z)

		Cat. No.
Smuso AD soft close for Hawa Junior 80 systems		940.80.043

Order reference

When using the double-sided soft close and ordering the Junior 80 set, please note the following: The stopper supplied with the Hawa set is not required in this case. We recommend ordering individual components instead of the complete set for cost reasons.

Europe Headquarters Germany Häfele GmbH & Co KG 72202 Nagold Phone +49 (0)74 52 / 95-0 Fax +49 (0)74 52 / 95-2 00 info@haefe.de	Netherlands Häfele Nederland BV 7333 NZ Apeldoorn Phone +31 (0)55 / 5 38 46 00 Fax +31 (0)55 / 5 42 49 50 info@haefe.nl	Africa South Africa Häfele South Africa (Pty) Ltd Honeydew 2040 Phone +27 (0)11 / 7 96 81 00 Fax +27 (0)11 / 7 94 14 90 info@haefe.co.za	India Häfele India Private Limited Mumbai 400 099 Phone +91 (0)22 / 66 95 09 20/21 Fax +91 (0)22 / 66 95 09 22 info@hafeleindia.com
Austria Häfele Austria GmbH 5322 Hof bei Salzburg Phone +43 (0)62 29 / 3 90 39-0 Fax +43 (0)62 29 / 3 90 39-30 info@haefe.at	Poland Häfele Polska Sp. z o.o. 55-090 Długoleka Phone +48 (0)71 / 3 15 32 42 Fax +48 (0)71 / 3 15 32 62 info@haefe.pl	America Argentina Häfele Argentina S.A. B1611GFG-Don Torcuato-Buenos Aires Phone +54 (0)11 / 63 47 26 00 Fax +54 (0)11 / 63 47 26 26 info@haefe.com.ar	Indonesia P.T. Häfele Indotama Tangerang 15314 Phone +62 (0)21 / 75 87 88 88 Fax +62 (0)21 / 75 87 77 77 info@haefe.co.id
Belgium Häfele Belgium N. V. 9240 Zele Phone +32 (0)52 / 45 01 14 Fax +32 (0)52 / 45 01 51 info@haefe.be	Portugal Häfele GmbH & Co KG Escritorio de Vendas Portugal 4470-177 Maia Phone +3 51 (0)22 / 9 47 55 96 Fax +3 51 (0)22 / 9 48 15 74 info-portugal@haefe.com	Brazil Häfele Brasil Ltda. 06465-120 Barueri-SP Phone +55 (0)11 / 41 96 69 00 Fax +55 (0)11 / 41 96 69 09 info@haefe.com.br	Japan Häfele Japan K.K. Totsuka-ku, Yokohama 244-0806 Phone +81 (0)45 / 8 28 31 17 Fax +81 (0)45 / 8 28 31 13 info@haefe.co.jp
Croatia Häfele GmbH & Co KG Representative in Kroatien 10090 Zagreb Phone +38 51 / 3 43 57 40 Fax +38 51 / 3 43 57 41 info-croatia@haefe.com	Romania Häfele GmbH & Co KG Reprezentanta in România RO-500264 Brasov Phone +40 (0)2 68 / 31 19 00 Fax +40 (0)2 68 / 31 19 10 info@haefe.ro	Canada Häfele Canada Inc. Burlington, ON L7L 6A8 Phone +1 9 05 / 3 36 66 08 Fax +1 9 05 / 3 19 44 46 info_can@hafeleamericas.com	Malaysia Häfele (Malaysia) Sdn Bhd 40150 Shah Alam, Selangor Phone +60 (0)3 / 55 69 25 26 Fax +60 (0)3 / 55 69 35 26 info@haefe.com.my
Denmark Häfele Danmark A/S 7800 Skive Phone +45 97 / 51 15 22 Fax +45 97 / 51 12 13 info@haefe.dk	Russia Häfele Rus OOO MKAD 14. km, Building 10 109429 Moskow Phone +7 (495)7 87 / 07 85 Fax +7 (495)7 87 / 07 84 info@haefe.ru	Mexico Häfele de México S.A. de C.V. El Marqués, Querétaro, México. Phone +52 (0)4 42 / 2 96 86 00 Fax +52 (0)4 42 / 2 96 86 20 hmxfomexico@haefe.com.mx	Philippines Häfele Philippines Inc. Manggahan Pasig City 1611 Metro Manila Phone +63 (0)2 / 6 81 53 52 Fax +63 (0)2 / 6 81 53 41 info@haefe.com.ph
Finland Häfele GmbH & Co KG Sivuliike Suomessa 15200 Lahti Phone +3 58 (0)3 / 8 77 77-0 Fax +3 58 (0)3 / 8 77 77-88 info@haefe.fi	Serbia Häfele GmbH & Co KG Representative in Serbien 37000 Krusevac Phone +3 81 37 / 41 70 10 Fax +3 81 37 / 41 70 10 info-serbia@haefe.com	United States of America Häfele America Co Archdale, N.C. 27263 Phone +1 3 36 / 4 34 23 22 Fax +1 3 36 / 4 31 38 31 info_us@hafeleamericas.com	Singapore Häfele Singapore Pte Ltd Singapore 729504 Phone +65 / 64 94 74 00 Fax +65 / 64 94 74 01 info@haefe.com.sg
France Häfele France s.à.r.l. 95157 Taverny Cédex Phone +33 (0)1 / 30 40 54 50 Fax +33 (0)1 / 30 40 54 61 info@haefe.fr	Spain Häfele Herrajes España S.L. 28923 Alcorcón-Madrid Phone +34 91 / 6 44 80 21 Fax +34 91 / 6 44 80 28 info@haefe.es	Australia, New Zealand Australia Häfele Australia Pty. Ltd. Dandenong, VIC 3175 Phone +61 (0)3 / 92 12 20 00 Fax +61 (0)3 / 92 12 20 01 info@haefe.com.au	South Korea Häfele Korea Inc. 659 Jinu-ri, Dochuuk-myon, Gwangju-si, Gyeonggi-do Phone +82 (0)31 / 7 60 76 00 Fax +82 (0)31 / 7 60 76 09 info@haefe.co.kr
Great Britain Häfele U.K. Ltd. Rugby, Warks. CV211RD Phone +44 (0)17 88 / 54 20 20 Fax +44 (0)17 88 / 54 44 40 info@haefe.co.uk	Sweden Häfele GmbH & Co KG Tyskland Fällial Sverige 55303 Jönköping Phone +46 (0)46 36 / 18 00 88 Fax +46 (0)46 36 / 18 00 99 info@haefe.se	New Zealand Häfele (N.Z.) Limited East Tamaki, Auckland Phone +64 (0)9 / 2 74 20 40 Fax +64 (0)9 / 2 74 20 41 info@haefe.co.nz	Taiwan Häfele Taiwan Ltd. Taipei County 248, Taiwan (R.O.C.) Phone +8 86 (0)2 / 22 98 00 30 Fax +8 86 (0)2 / 22 98 00 31 info@haefe.com.tw
Greece Häfele GmbH & Co KG Information Office 15124 Maroussi Phone +30 2 10 / 6 17 95 44 Fax +30 2 10 / 6 17 95 45 info@haefe.gr	Switzerland Häfele Schweiz AG 8280 Kreuzlingen Phone +41 (0)71 / 6 86 82 20 Fax +41 (0)71 / 6 86 82 82 info@haefe.ch	Middle East Dubai Häfele GmbH & Co KG Dubai Representative Office Dubai/U.A.E. Phone +9 71 (0)4 / 2 84 44 06 Fax +9 71 (0)4 / 2 86 08 49 info@haefe.ae	Thailand Häfele (Thailand) Limited 57 Soi Sukhumvit 64 Bangkok 10260 Phone +66 (0)2 / 7 41 71 71 Fax +66 (0)2 / 7 41 72 72 info@haefe.co.th
Hungary Häfele GmbH & Co KG Representative in Hungary 1132 Budapest Phone +36 (0)1 / 2 25 34 14 Fax +36 (0)1 / 2 02 01 82 info-hungary@haefe.com	Turkey Häfele San. ve Tic. A.S. 34776, Ümraniye, Istanbul Phone +90 (0)2 16 / 5 28 59 00 Fax +90 (0)2 16 / 5 28 59 30 info@haefe.com.tr	Far East China Häfele Hardware Technology (Beijing) Co., Ltd. 101318 Beijing Phone +86 (0)10 / 80 48 26 86 Fax +86 (0)10 / 80 48 28 85 info_bj@haefe.com.cn	Vietnam Häfele Vina Co., Ltd. Ho Chi Minh City Phone +84 (0)8 / 39 57 31 66 Fax +84 (0)8 / 39 57 31 67 info@haefe.com.vn
Ireland Häfele Ireland Ltd. Kilcoole, Co. Wicklow Phone +3 53 (0)1 / 2 87 34 88 Fax +3 53 (0)1 / 2 87 35 63 info@haefe.ie	Ukraine Häfele Ukraine LLC 80362 Kulykiv Zhnovka District, Lviv Region Phone +3 80 32 2 35 15 60 Fax +3 80 32 2 35 15 59 info@haefe.com.ua	Hong Kong Häfele GmbH & Co KG HK Representative Office Hong Kong Phone +8 52 / 23 68 64 33 Fax +8 52 / 23 68 99 72 info_hk@haefe.com.cn	
Italy Häfele Italia s.r.l. 20030 Lentate S.S. -MI- Phone +39 03 62 / 57 74-1 Fax +39 03 62 / 57 74-4 77 info@haefe.it			