

Technical Metal Industrial Co. L.L.C.



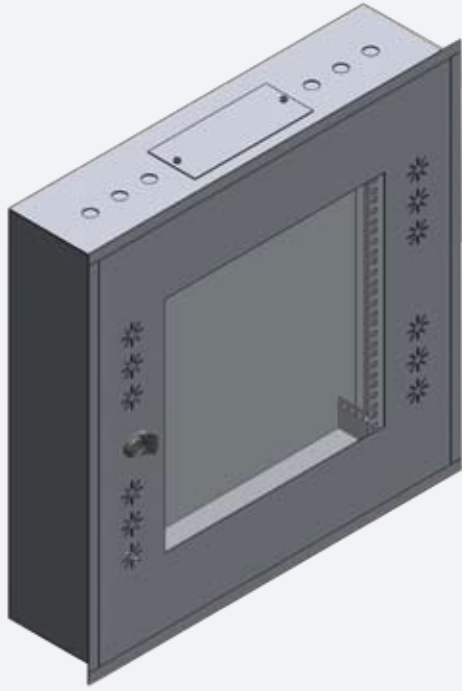
# 12U Cabinets

Flush Mounted

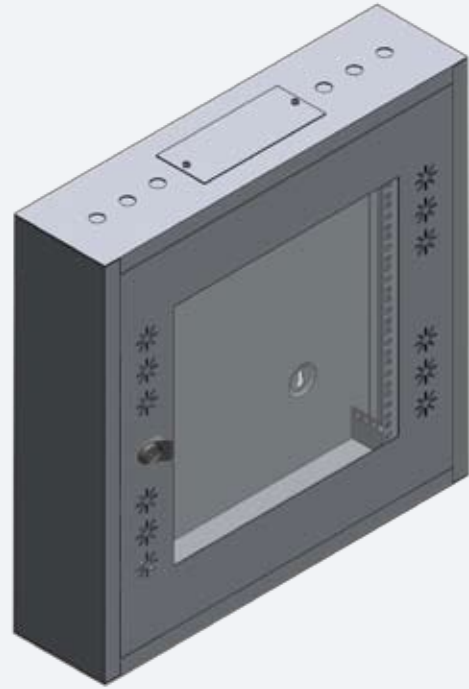
Wall Mounted

Accessories

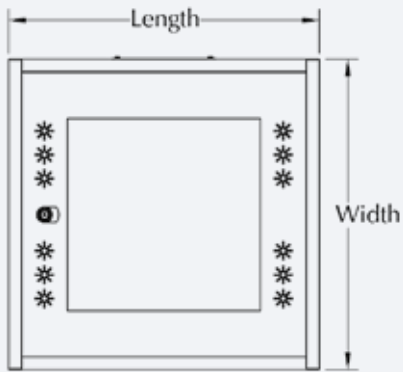
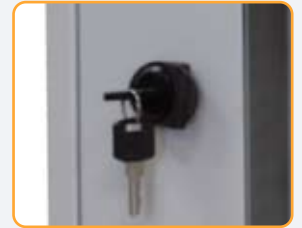
## Classification & Over View



**Flush Mounted**



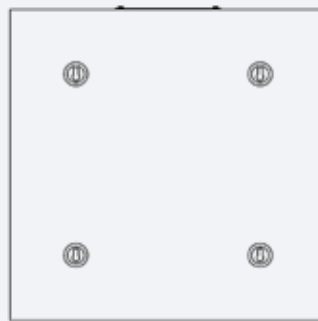
**Wall Mounted**



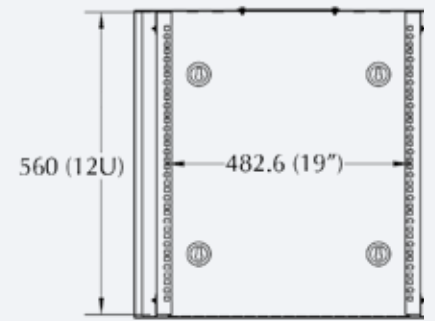
**Front View**



**Side View**



**Back View**

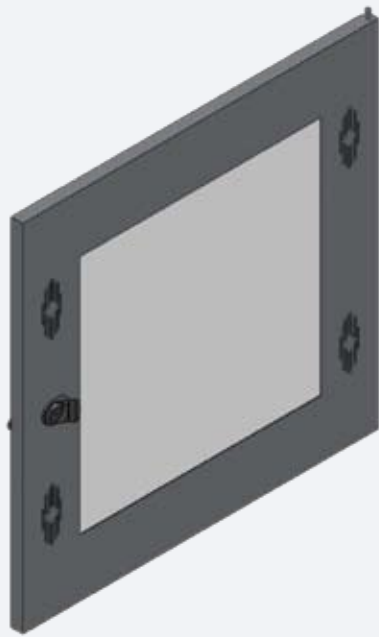


**Inside View**



**Top View**

## Door Options



## Accessories



**Cabinet Holder**



**Bag containing a set of 12 Stainless Steel Nuts & Bolts, and Plastic Washers**



Model	Length mm	Width mm	Depth mm	Door Glass Size mm
Wall Mounted	600	600	150	400 x 400
	600	600	300	400 x 400
Flush Mounted	600	600	150	400 x 400

## Features

- Efficiently designed 12U server cabinets.
- Solid Steel Construction.
- Available on Flush mounted and wall mounted.
- Adjustable 19" mount.
- Mechanical open/close lock.
- Lock handle.
- Inner mount plate with grid mount.
- Top and Bottom Panel Cable Entry.
- Ventilation holes on front panel.
- Cabinet can be fitted with 1U Patch Panel.

## Technical Specifications

- Front Door: toughened glass door.
- Cabinets are degreased and phosphated for corrosion prevention.
- Surface Finish: Powder Coated.

## Color Options

**Light Grey** (RAL 7035 Textured)



**Black** (RAL 9005 Textured)



- Other RAL colors are made upon request.

- **We can deliver to any specially ordered design.**