

ROAD + URBAN



TUNNEL



SPORT



TRANSIT



INDUSTRY



CAMPUS



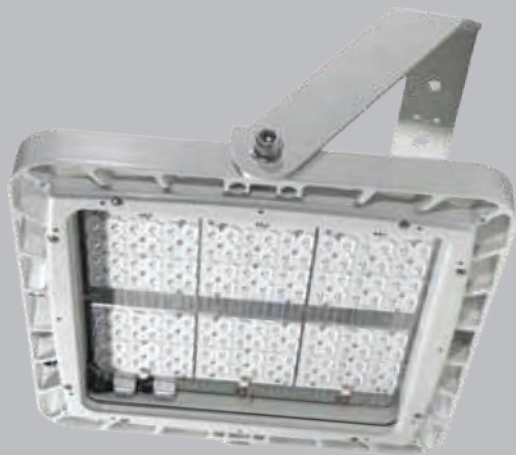
OMNISTAR



PRELIMINARY INFORMATION
Issued date: 22/05/2014

Schröder





MODULAR LED SOLUTION FOR HIGH-POWER APPLICATIONS

The OMNISTAR has been designed to provide an unrivalled combination of performance and flexibility for lighting areas where high lumen packages are needed (30,000 to 120,000lm) while offering maximum savings in energy and maintenance costs with a short payback time. This modular luminaire can be installed on a high mast with a bracket of one, two or three luminaires to provide the lighting distribution and lumen package needed to meet the specifications of the area to be lit. With on-site photometric adjustment, the OMNISTAR guarantees the perfect lighting to ensure safety and comfort. It offers a real alternative to luminaires equipped with high-power traditional sources, with the added advantages of an LED solution: low energy consumption, improved visibility with white light, limited maintenance and longer life. The OMNISTAR can be fitted with the Owlet range of control solutions to enable you to further maximise energy savings by adapting the light levels according to the real needs.



CHARACTERISTICS - LUMINAIRE

Optical compartment tightness level:	IP 66 ^(*)
Impact resistance (glass):	IK 08 ^(**)
Electrical class:	I or II ^(*)
Weight per unit (only optical part):	14kg
Installation height:	8 to 30m
Aerodynamic resistance (CIS front 45°):	0.168 m ²

^(*) according to IEC - EN 60598
^(**) according to IEC - EN 62262

KEY ADVANTAGES

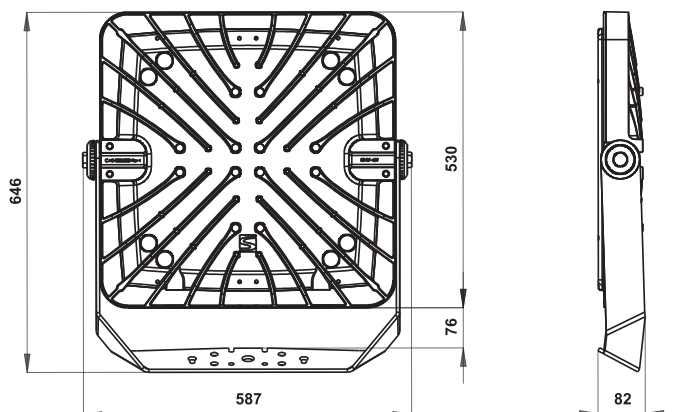
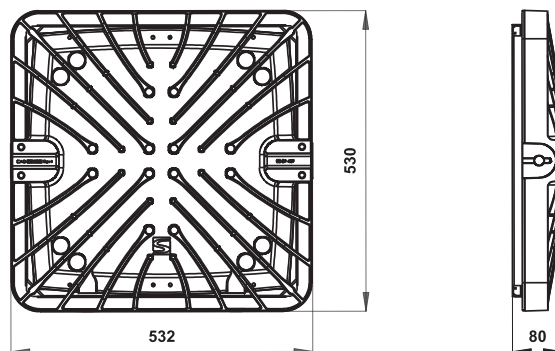
- Cost effective and efficient lighting solution to maximise energy and maintenance cost savings in high-power applications
- Modular concept to adapt to a wide range of specific needs
- ThermiX[®] (resists extreme temperatures: Ta up to 55°C) and IP 66 tightness level for long-lasting performance
- Various mounting options and inclination possibilities on-site for optimal photometry
- Compact size and remote gear boxes for installation flexibility and limited footprint
- Instant switch on/off
- Sports applications: resists to ball throwing (DIN certification)
- Maintenance free
- Designed to incorporate Owlet range of control solutions

OPTIONS

- Structured glass
- Surge protection 10kV

Colour: AKZO 900 grey sanded
 Any other RAL or AKZO colour upon request

DIMENSIONS (MM)



1. LIGHT SOURCES

			Lifetime residual flux @ t_q 25°C (**)	
LED engine	Number of LEDs	Neutral white	700mA	@100,000h
LensoFlex®2	128 LEDs	Luminaire flux (lm)*	up to 29000	80%
		Power consumption (W)	285	
	144 LEDs	Luminaire flux (lm)*	up to 34000	
		Power consumption (W)	322	

(*) The luminaire flux is an indicative flux @ t_q 25°C. The real flux output of the luminaire depends on environmental conditions (e.g. temperature and pollution) and the optical efficiency of luminaire. The luminaire flux depends on the type of LED in use and likely to change in accordance with the continuous and rapid developments in LED technology.

For precise and updated information download the product sheets on www.schreder.com

(**) In accordance with IES LM-80 - TM-21.

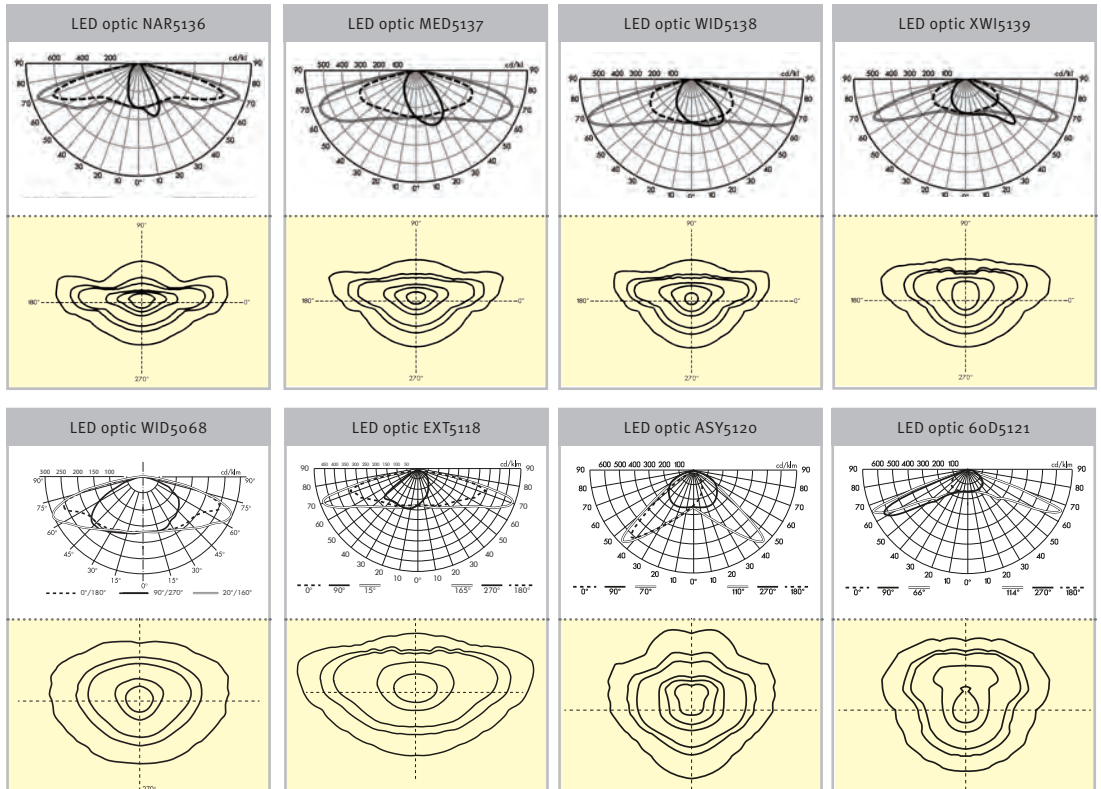
LENsofarflex®2 PHOTOMETRY



128 LEDs



144 LEDs



2. GEAR BOXES AND CABINETS

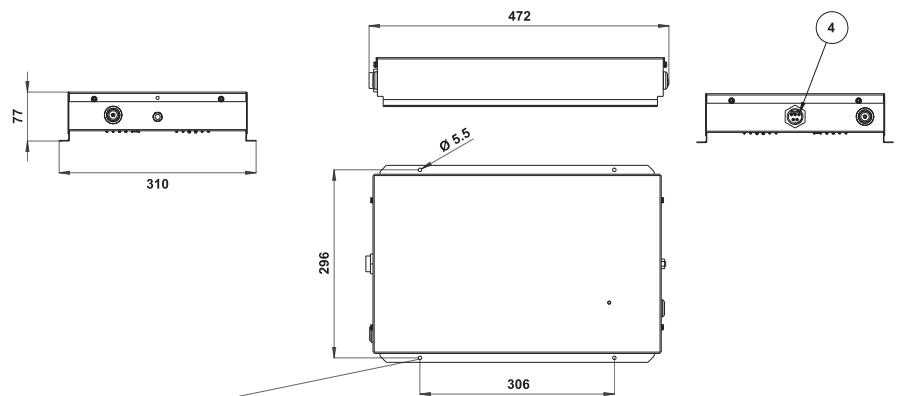
CHARACTERISTICS		
	Indoor remote gear box	Outdoor remote cabinet
	1 optic (*)	1 optic (*)
Tightness level	IP 20	IP 65
Impact resistance	IK 08 (**)	
Electrical class	I or II (*)	
Weight	5.1kg	7.2kg
Nominal voltage	120-270V - 50-60Hz	

(*) according to IEC - EN 60598

(**) according to IEC - EN 62262

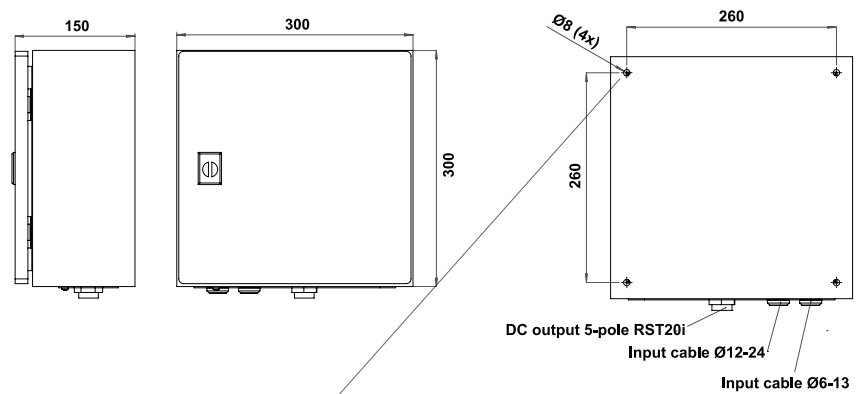
DIMENSIONS AND MOUNTING (MM)

INDOOR REMOTE GEAR BOX (GeBo20)



Fixation holes: 4 x $\varnothing 5.5$
 Cable entries: Input 2 x Cable grommets $\varnothing 6-13$
 Output Connector (Wieland RST20i 5 poles / blue coded)





















OUTDOOR REMOTE CABINET (GeBo65)



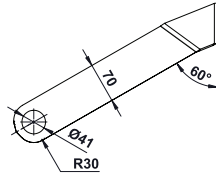
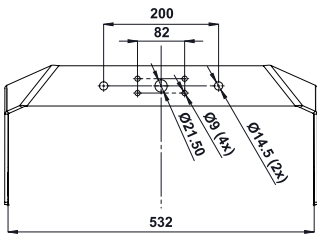
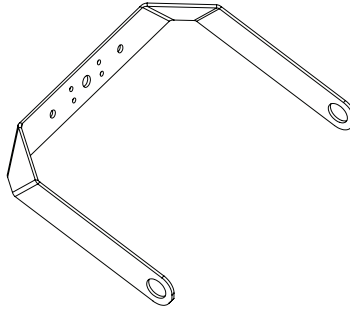
Fixation holes (vertical wall mounting)
 Input Cable grommet $\varnothing 6-13$
 Cable grommet $\varnothing 12-24$
 Output Connector (Wieland RST20i 5 poles / blue coded)

3. BRACKETS

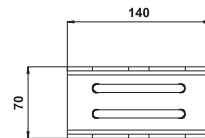
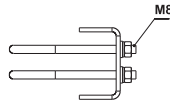
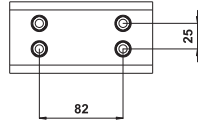
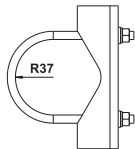
CHARACTERISTICS

Bracket type	Ordering code	No. optical units	Type/position	Screws	Accessory	Bracket	Bracket with optical unit(s)	Tiltable
1 optical unit - standard U type	Bra	1	square steel arms	2 x M14 1 x M20 + M14				✓
	V6o		Vertical pole (with collar) < 60mm	4 x M8				
1 optical unit - large U type (eg. wall mounting)	HWB	1	Wall-mounting; Ceiling mounting	2 x M14 1 x M20 + M14				✓
	V76-108		Vertical pole mounting (with collar) ≥ 76mm - 108mm	4 x M12				
	H76		Side-entry or horizontal pole mounting (pole Ø 76mm)	2 x M10				
	PoT6o		Post-top (pole Ø 60mm)	2 x M8				
1 optical unit - Surface mounted - tiltable	Til	1	Ceiling Surface mounting tiltable	4 x M8				✓
1 optical unit - Surface mounted (eg. tunnel)	SMo	1	Ceiling (e.g. tunnel) Surface mounting fix	4 x M8				
1 optical unit - suspended	Sus	1	Suspended	Carabiners				
2 optical units - vertical (pole) mounting	V2	2	Vertical pole mounting (with collar) ≥ 76mm - 108mm	4 x M12				✓ 2 optics together
2 optical units - large U type brackets for horizontal tube	H2	2	Horizontal tube (Ø 76mm)	2 x M10				✓ 2 optics one by one
3 optical units - direct (pole) mounting	Dir	3	Vertical pole mounting (with collar) ≥ 76mm - 108mm	4 x M12				✓ 3 optics together

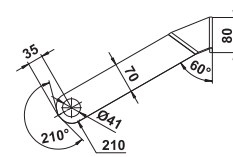
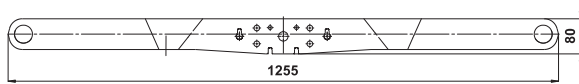
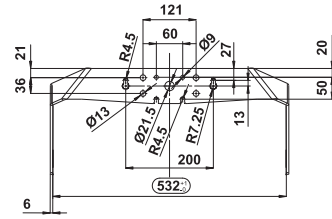
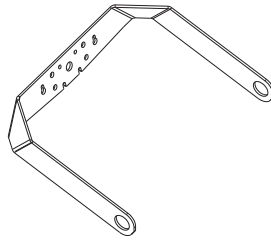
BRACKET WITH 1 OPTICAL UNIT - STANDARD U TYPE



» ACCESSORY: vertical pole mounting kit for pole \varnothing 60mm (standard bracket)

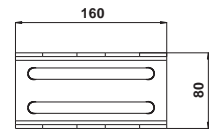
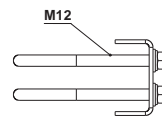
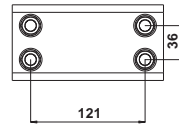
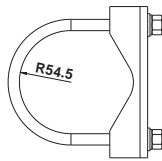


BRACKET WITH 1 OPTICAL UNIT - LARGE U TYPE (EG. WALL MOUNTING)

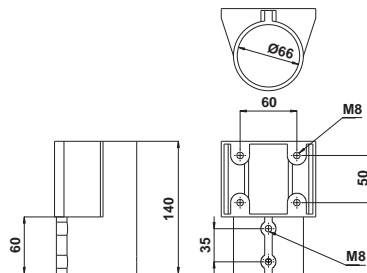
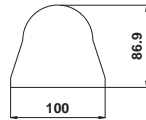


» ACCESSORIES

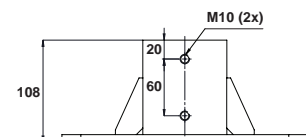
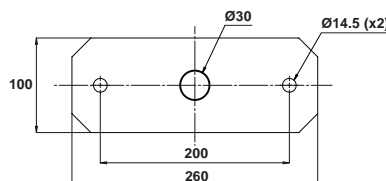
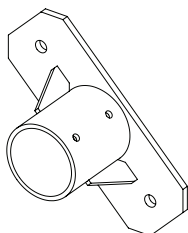
- Mounting kit for horizontal pole - Ø 76-108mm



- Post-top (Ø 60mm) mounting adapter

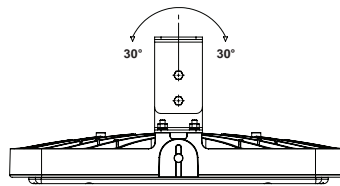
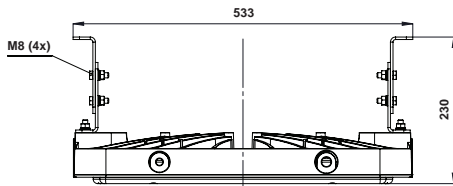
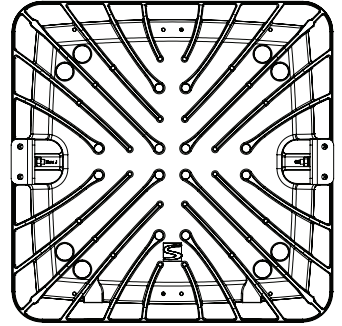
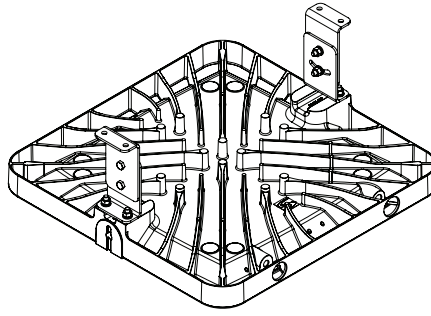


- Mounting kit for vertical pole - Ø 76mm

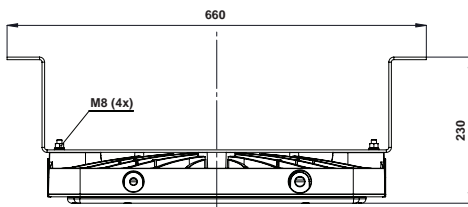
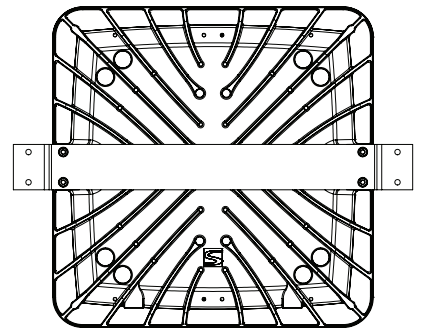
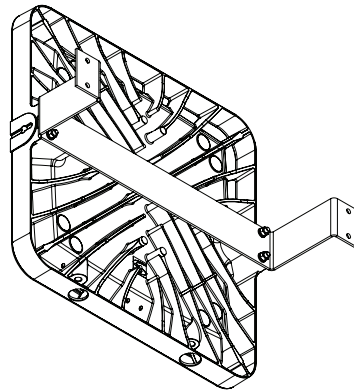




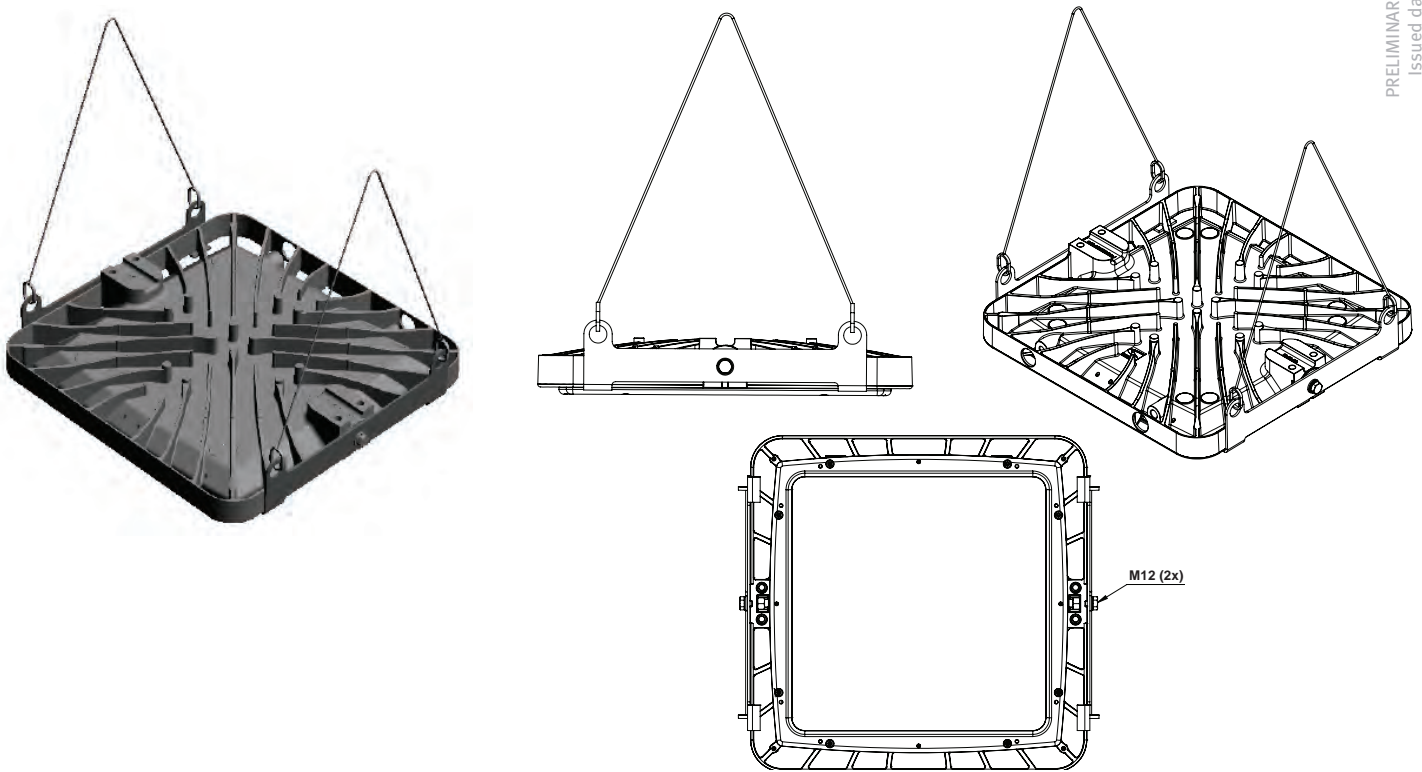
BRACKET WITH 1 OPTICAL UNIT - SURFACE MOUNTED TILTABLE



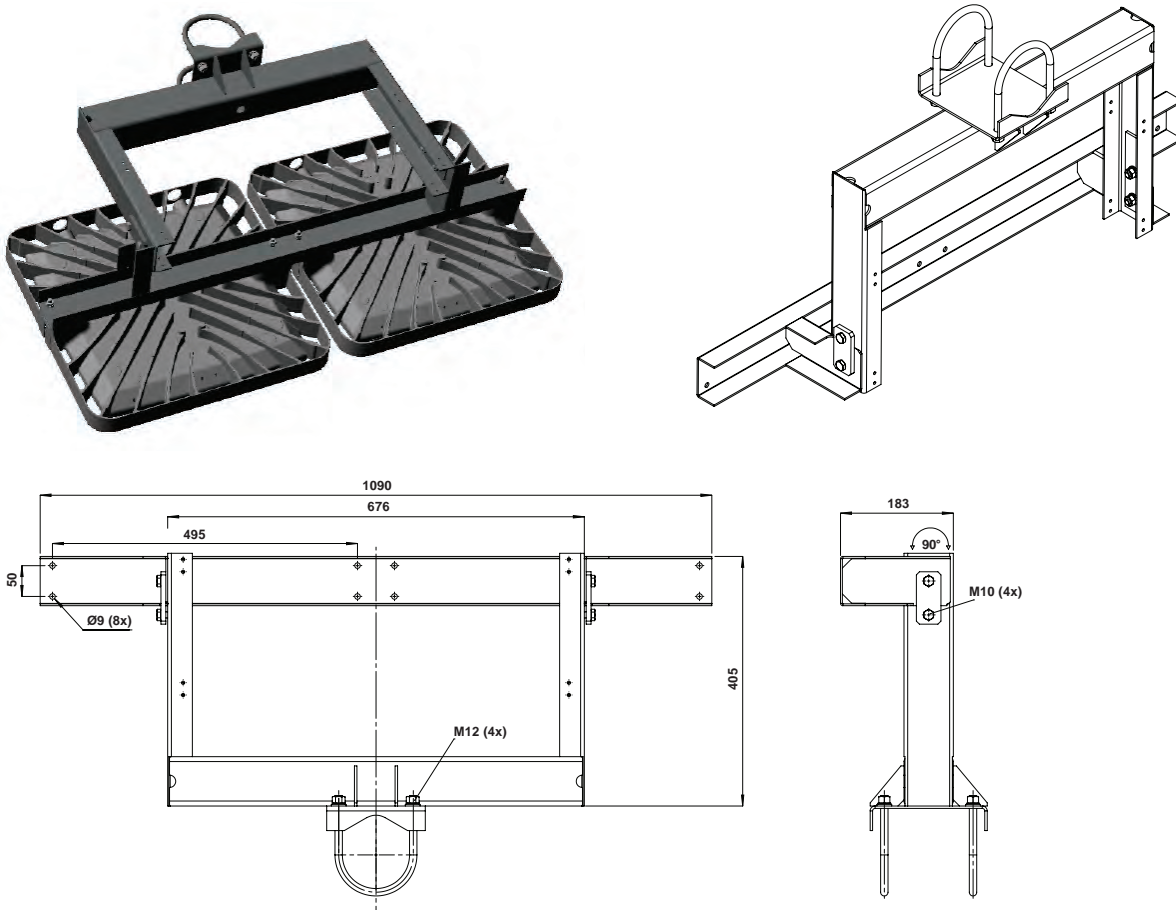
BRACKET WITH 1 OPTICAL UNIT - SURFACE MOUNTED (EG. TUNNEL)



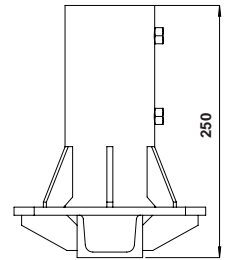
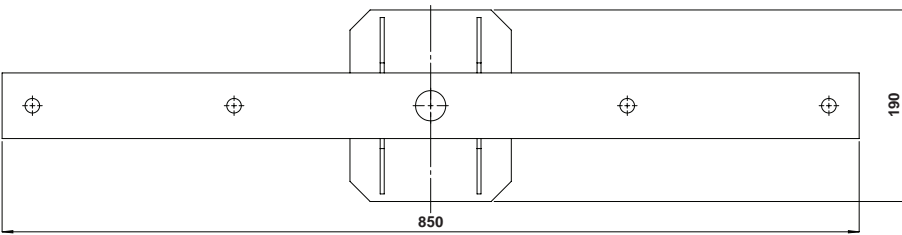
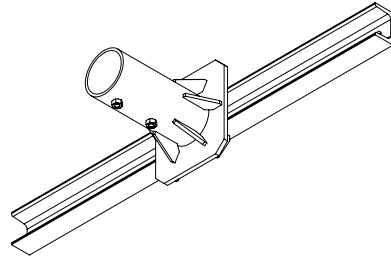
BRACKET WITH 1 OPTICAL UNIT - SUSPENDED



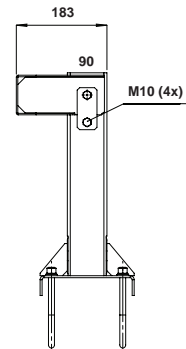
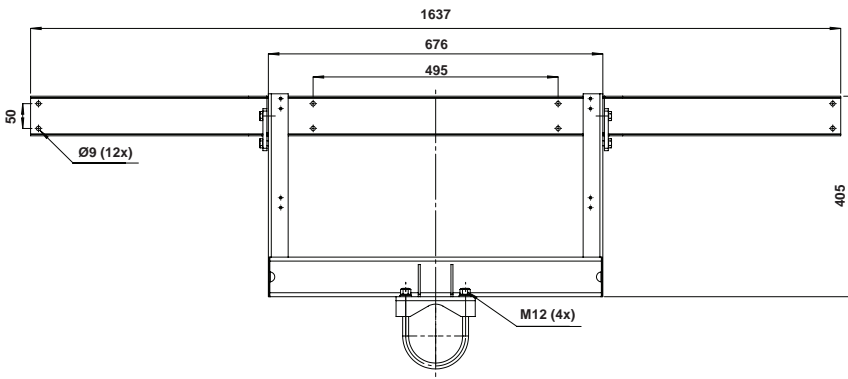
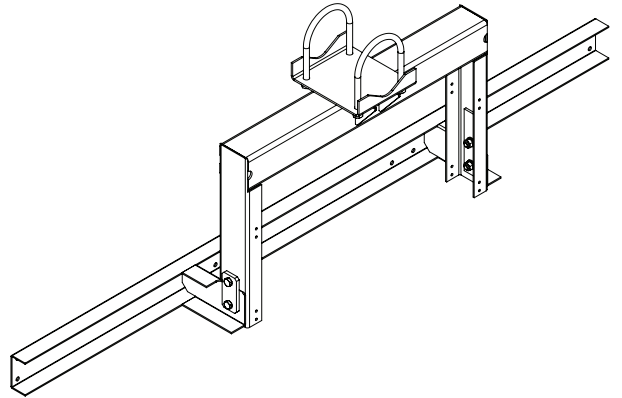
BRACKET WITH 2 OPTICAL UNITS - VERTICAL POLE MOUNTING



BRACKET WITH 2 OPTICAL UNITS - LARGE U TYPE BRACKETS FOR HORIZONTAL TUBE



BRACKET WITH 2 OPTICAL UNITS - LARGE U TYPE BRACKETS FOR HORIZONTAL TUBE



OPTICAL UNIT

	Number of LEDs	LED colour temperature	Light distribution	Protector	Input	Electrical class	Connector ⁽³⁾	Colour
OMNOB	128L	NW	ASY5120	GsSpFl ⁽¹⁾	DC	CLI-EU	WoCon ⁽⁴⁾	AKZO900GS
	144L		60D5121	GsItFl ⁽²⁾		CLII-EU	WCon	
			NAR5136	⁽¹⁾ Glass clear smooth screen-printed flat		CL1-US	⁽³⁾ WoCon: without connector Wcon: with connector	
			MED5137					
			WID5138					
			XWI5139					
			WID5068	⁽²⁾ Glass internal structured flat			⁽⁴⁾ only if gear box is near the optical unit	
			EXT5118					

Your order ^(*)

OMNOB NA		NW			WoPro DC			WoTS AKZO900GS
----------	--	----	--	--	----------	--	--	----------------

(*) Please fill in the remaining blank fields.

Example: OMNOB|NA|128L|NW|ASY5120|GsSpFl|WOPro|DC|CLI-EU|WoCon|WoTS|AKZO900GS

GEAR BOXES AND CABINETS

	Box Model	Current	Number of optical units		Voltage	Output	Electrical class		Gear plate	Fuse protection	Surge protection	Connector	Colour
OMNGU	GeBo20	NA 128L_700mA	10P		120_277V_50_60Hz	DC	CLI-EU		EQ ⁽¹⁾	NoFus	WoSUR	WoCon	RAL7035T ⁽³⁾
	GeBo65	NA 144L_700mA	20P				CLII-EU		EqWoP ⁽²⁾	Fus	WSPD	WCon	AKZO900GS ⁽⁴⁾
			30P				CL1-US		⁽¹⁾ With gear plate				⁽³⁾ Only for GeBo65
									⁽²⁾ Without gear plate				⁽⁴⁾ Only for GeBo20

Your order ^(*)

OMNGU				WoM NoOC NoDim NoCLO	120_277V_50_60Hz	DC		NoPhC NoSe NoDis				WoTS	
-------	--	--	--	----------------------	------------------	----	--	------------------	--	--	--	------	--

(*) Please fill in the remaining blank fields.

Example: OMNGU|NA|128L_700mA|10P|WoM|NoOC|NoDim|NoCLO|120_277V_50_60Hz|DC|CLI-EU|NoPhC|NoSe|NoDis|EQ|NoFus|WoSPD|WoTS|WoCon|RAL7035T

CABLE

	Model	Length ⁽¹⁾	Cable type	Cable section	Connector side and cable orientation/gender
OMNCS	OBCG	C40	HO7RN_F	5G1.5 ²	WCon Fe St WCon Ma St
		C80			
		C120			
		CusCa			
		⁽¹⁾ 4-8-12m or custom length			

Your order ^(*)

OMNCS	OBCG		HO7RN_F	5G1.5 ²	WCon Fe St WCon Ma St
-------	------	--	---------	--------------------	-----------------------

(*) Please fill in the remaining blank fields.

Example: OMNCS|OBCG|C40|HO7RN_F|5G1.5²|Wcon|Fe|St|WCon|Ma|St

BRACKET

	Mounting	Colour
OMNOF	Bra	AKZO900GS
	HWB	
	SMo	
	Til	
	Sus	
	V60	
	V76-108	
	H76	
	PoT60	
	V2	
	H2	HG ⁽¹⁾
	Dir	

Your order ^(*)

OMNOF		
-------	--	--

(*) Please fill in the remaining blank fields.

Example: OMNOF|Bra|AKZO900GS



