


# SCULPTLINE

ILLUMINATION

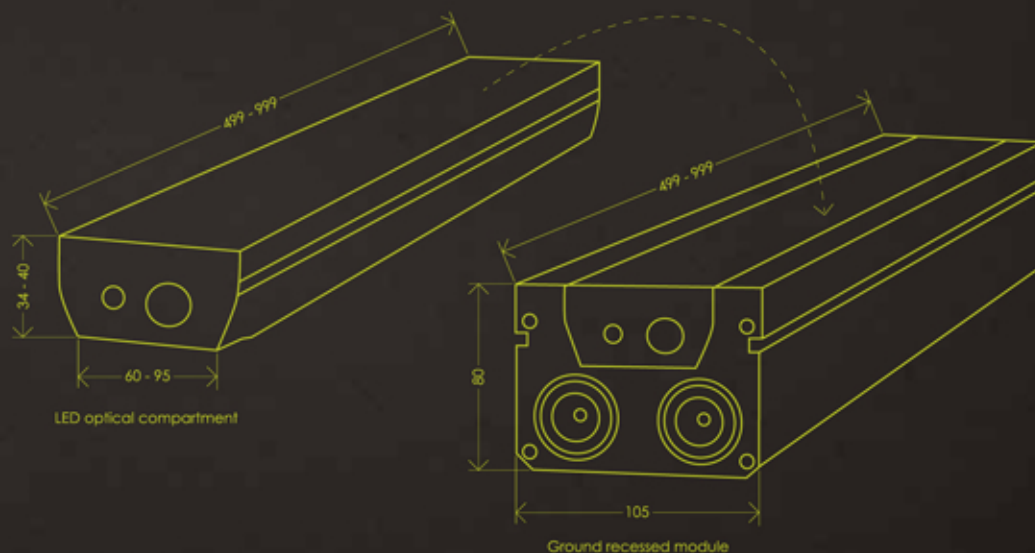


Create continuous lines  
with a choice of intensities

Modular version for intense light effects

Interchangeable front refractors – for  
huge photometric flexibility

# GET GRAZING WITH SCULPLINE LINEAR WASH LIGHT, IN WALL MOUNT AND RECESSED VERSIONS



All dimensions are given in millimetres (mm)

SCULPLINE





# SCULPLINE

Version	LEDs	Colour Temperature (K) / Colour	Nominal Flux (lm) / (Wattage W)*	Distribution Options	Mounting & Aiming Options	Installation Notes	Accessories	Weight (kg)	Driver & Control Options
SCULPline Symmetrical	10 or 40 LEDs/m	3000 (Warm White)	450lm/m up to 4800lm/m (max 54W/m)	Spot 8° Medium 22° Wide 27°  Elliptical	Wall mount with bracket or ground recessed  Optional extension arms for wall mount from 200mm to 300mm  May also be integrated into handrails, columns or other architectural features	Driver and power supply are an external component that may be removed to a central location  In/out control connector	None	3 kg/m	2 sizes of power supply
		4000 (Neutral White)							
		5700 (Cool White)							
		Tunable White							
		Blue							
		RGBA RGBCW							
SCULPline Asymmetrical LensoFlex*2	48/m	3000 (Warm White)	6600lm/m (max 51W/m)	Photometry can be adjusted by interchangeable external refractors	Optional ground recessed version for heavy load applications	Mains power out to split connector  Operating temperature from -20°C to 50°C	None	3 kg/m	DMX 512 protocol with RDM functionality
		4000 (Neutral White)							
		5700 (Cool White)							

## NOTES

\*The nominal flux is an indicative LED flux @ Tj 25°C based on LED manufacturer's data. The real flux output of the luminaire depends on environmental conditions (e.g. temperature and pollution) and the optical efficiency of luminaire. Nominal flux depends on the type of LED in use and likely to change in accordance with the continuous and rapid developments in LED technology.

To follow the progress of the luminous efficiency of the LEDs used, please visit our website [www.schreder.com](http://www.schreder.com)

## MATERIALS & FINISH

Extruded aluminium, Polycarbonate end caps, Glass or Polycarbonate protector with customisable (paintable) cover plate

IP66

IK07 or IK08 (depending on options)

230V 50Hz

Class III for the optical block. Class I, II with adequate power supply  
Surge Protection 10kV