

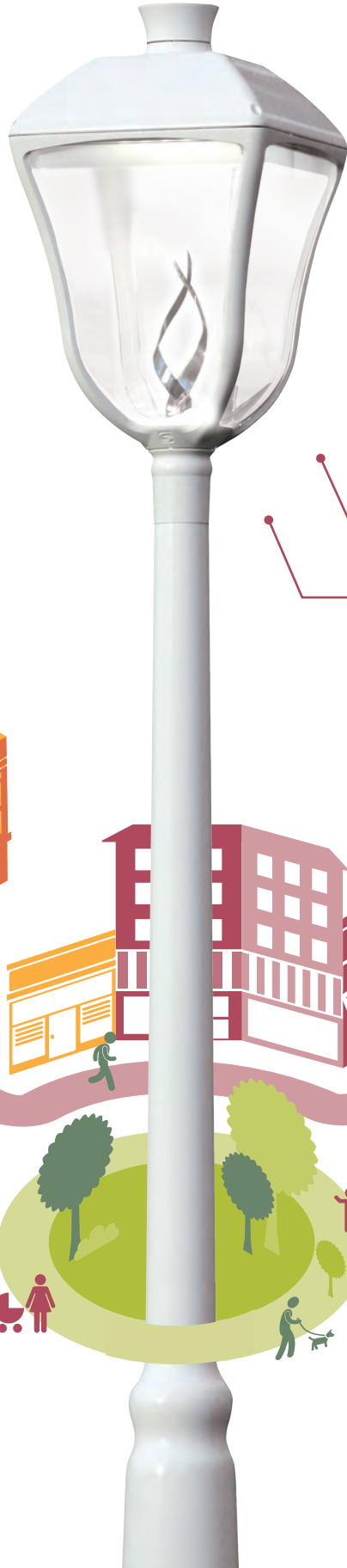
# STYLAGE

STYLE AND PERFORMANCE  
FOR A NEW AGE

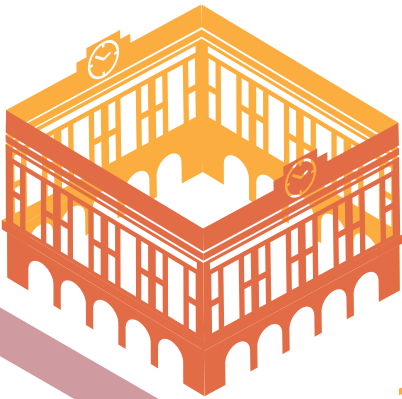
LED



owlet



- MODERN
- EFFICIENT
- SMART
- STYLISH



Schröder



# THE MISSING LINK BETWEEN TRADITION AND MODERNISM

With its typical 4-faced design, the STYLAGE luminaire brings classical style lanterns into the 21<sup>st</sup> century.

STYLAGE is the ideal tool to create aesthetic consistency in cities composed of a mixture of traditional and modern architecture and who wish to highlight their historical patrimony while accentuating their commitment to the future.





## FEATURES



A photometric engine specifically dedicated to offering photometric flexibility, comfort and performance. LEDs in neutral white 4000K (warm white as an option) equipped with Schröder developed lenses



Integrated surge protection 10kV



Zero light pollution (ULOR 0% in flat-glass version)



Two versions of flat-glass protector: extra-clear for an optimal light distribution or sanded for extra visual comfort



# THE REVIVAL OF THE FLAME

The large semi-sanded protector version of STYLAGE is offered with an aluminium flame to emulate the gas-jet lamps of the last century. At night, this creates a decorative effect as when you approach the luminaire, the flame seems to move under the play of the reflections on the aluminium surface.

Design: Michel Tortel

# CREATING SOPHISTICATED SPACES TO IMPROVE PEOPLE'S LIVES

At Schröder we see furnishing public spaces as a great challenge. That is why we offer complete solutions where all the elements come together to form a comprehensive landscape - luminaires, benches, litter bins, bollards, bicycle stands, tree guard systems and more.

The luminaires, the furniture and the other components of our urban ranges are created by renowned designers or by our experienced design team. With our refined designs, we want to captivate cities, communities and inhabitants through aesthetic shapes and contribute to creating harmonious cityscapes.

The STYLAGE provides a wonderful opportunity to create an appealing environment with complementary street furniture. For instance, the curves of the luminaire echo the elegance of the Amaryllis range of street furniture.

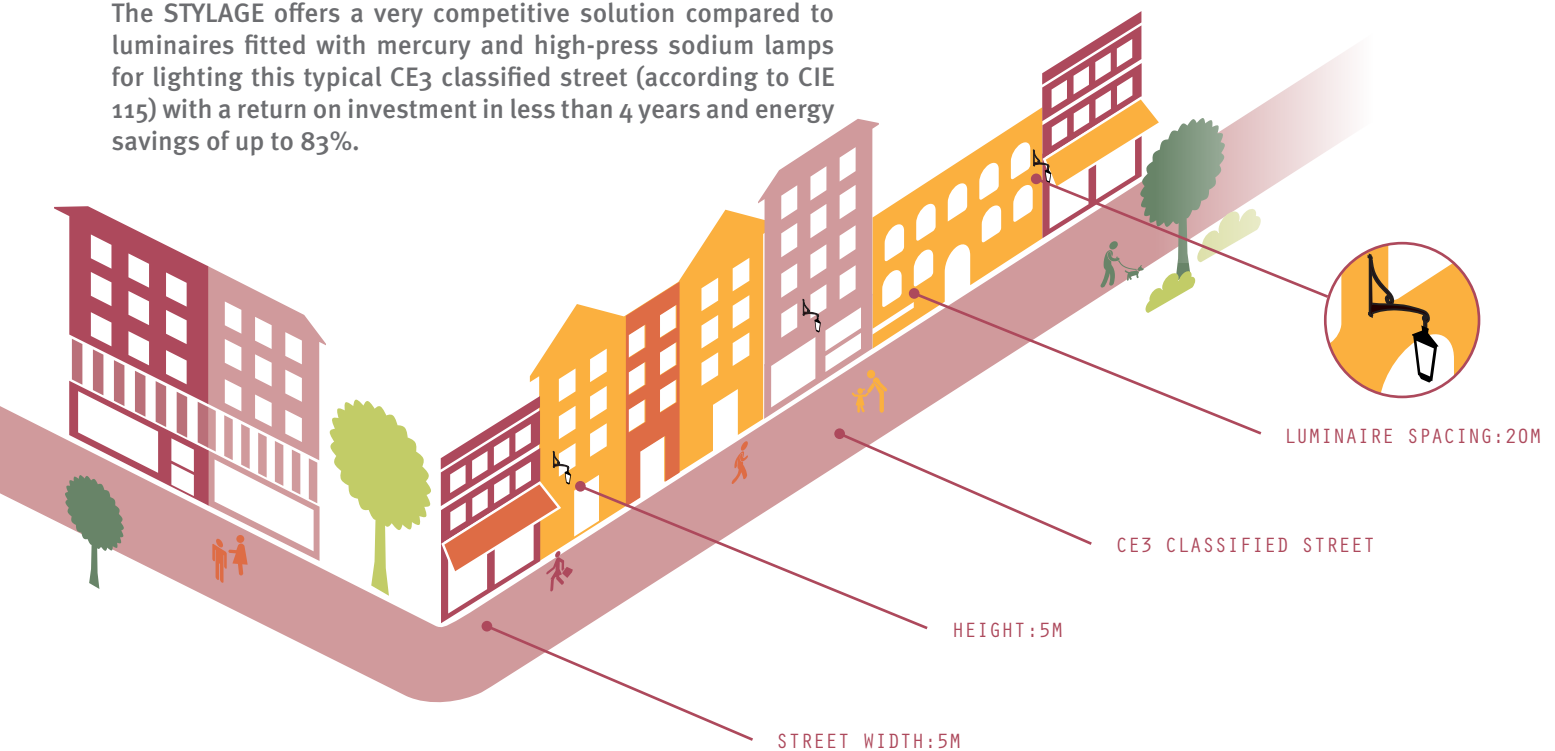
All of our customers benefit from our vision of the entire project and our experience as a provider of complete solutions that satisfy all operational and technical requirements. Urban lighting and furniture from one unique partner. That is the key to creating places where people enjoy spending time.



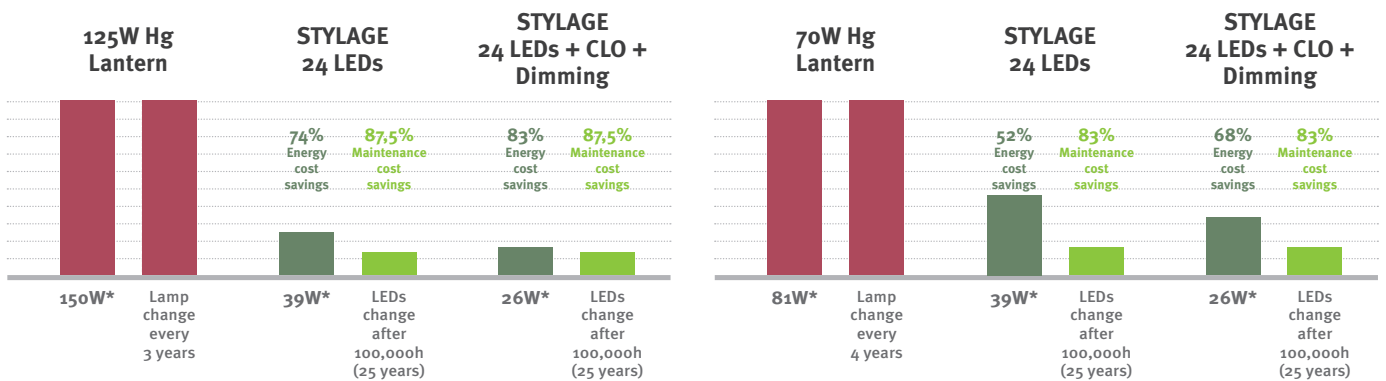


# DIVIDE YOUR ENERGY COSTS BY 6 AND YOUR MAINTENANCE BILL BY 8 !

The STYLAGE offers a very competitive solution compared to luminaires fitted with mercury and high-press sodium lamps for lighting this typical CE3 classified street (according to CIE 115) with a return on investment in less than 4 years and energy savings of up to 83%.



## ENERGY AND MAINTENANCE COST SAVINGS



\* Total system power consumption

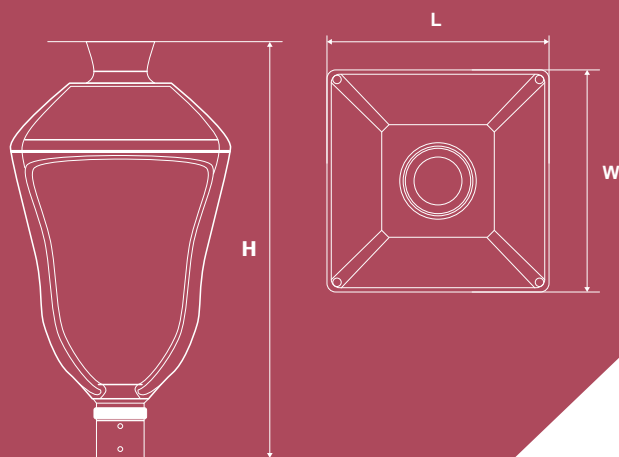
## MAIN APPLICATIONS

STREET	SQUARE	URBAN ROAD
Narrow and small village streets, bike paths, lanes	Squares, pedestrian areas, terraces, parks	City streets, avenues, boulevards

# KEY CHARACTERISTICS

Installation height	3.5 to 5m
Typical luminaire output flux (range) (*)	1,600 to 5,600lm
Power consumption (range)	19 to 75W
Lifetime residual flux @ tq 25°C	@ 100,000h 350 and 500mA: 90% 700mA: 80%
Optical compartment tightness level	IP 66 (**)
Control gear tightness level	IP 66 (**)
Impact resistance (glass)	Flat glass version IK 08 (***)
	PC large protector IK 10 (***)
Nominal voltage	230V - 50Hz
Electrical class	EU I or II (**)
Weight	8kg
<b>Materials</b>	
Body	Aluminium
Flat protector	Glass
Large protector	Polycarbonate
Colour	AKZO grey 900 sanded Any other RAL or AKZO colour upon request

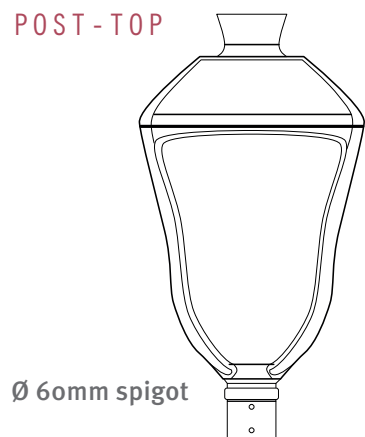
(\*) The typical flux is an indicative luminaire flux @ tj 25°C. The real flux output of the luminaire depends on environmental conditions (e.g. temperature and pollution). The flux depends on the type of LEDs used and is likely to change in accordance with the continuous and rapid developments in LED technology. To follow the progress of the luminous efficiency of the LEDs used, please visit our website.  
(\*\*) according to IEC - EN 60598 - (\*\*\*) according to IEC - EN 62262



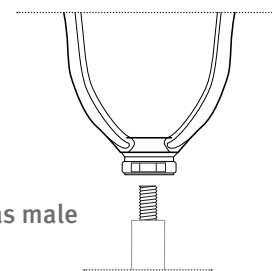
L = 373mm  
W = 373mm  
H = 705mm

# MOUNTING

## POST-TOP

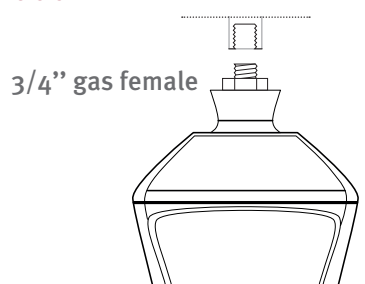


Ø 60mm spigot



3/4" gas male

## SUSPENDED



3/4" gas female

## A DISTINCTIVE COLUMN

The Stylage luminaire is offered with a modern column in thermo-formed aluminium (60mm spigot) or with a bracket for suspended or post-top mounting. This ensemble is characterised by its aesthetic coherence and elegance.





SAFETY



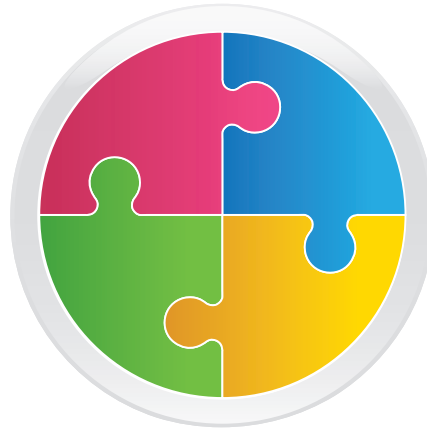
WELL BEING



SUSTAINABILITY



SAVINGS



SOLUTIONS



Schröder



www.schreder.com