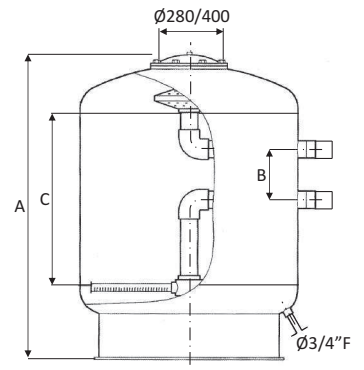




15- STAINLESS STEEL SAND FILTERS

STAINLESS STEEL SAND FILTER TYPE "XE"

- Manufactured with AISI 304 V2A (AISI 316 L V4A stainless steel on demand).
- Internal water distribution: Cross. (Nozzle plate on demand)
- Hand hole Ø280/400.
- Filtration rate: 50m³/h/m².
- External has shiny finish.
- Maximum working pressure: 2 bar.
- Test pressure: 3.5 bar.

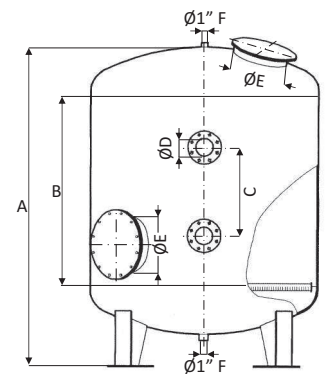


CODE	Ø	CONNECTIONS	FLOW (m ³ /h) V=50m ³ /h/m ²	SAND kg	DIMENSIONS			PACKING WEIGHT kg	VOLUME m ³
					A	B	C		
XE-500	500	1½"	10	200	1050	200	750	2	
XE-630	630	1½"	15	300	1130	200	750	2	
XE-800	800	2"	25	450	1200	200	750	2	
XE-950	950	2½"	35	700	1300	200	750	1	
XE-1200	1200	3"	60	1200	1400	200	750	1	



STAINLESS STEEL SAND FILTER TYPE "XR"

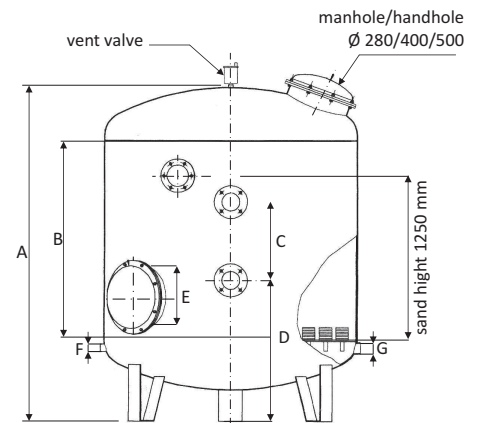
- Manufactured with AISI 304 V2A (AISI 316 L V4A stainless steel on demand).
- Internal water distribution: Panel. (Nozzle plate on demand)
- Complete with manhole and handhole.
- Filtration rate: 50m³/h/m².
- External piking.
- Magnesium anode protection.
- Maximum working pressure: 2.5 bar.
- Test pressure: 4 bar.



CODE	Ø	CONNECTIONS	FLOW (m ³ /h) V=50m ³ /h/m ²	SAND kg	DIMENSIONS					PACKING WEIGHT kg	VOLUME m ³
					A	B	C	D	E		
XR-1200	1200	DN 80	56	2000	2040	1250	400	Ø80	Ø280/400	1	
XR-1400	1400	DN 100	77	2700	2160	1250	500	Ø100	Ø400	1	
XR-1600	1600	DN 100	100	3100	2340	1250	500	Ø100	Ø400	1	
XR-1800	1800	DN 125	127	4000	2400	1250	500	Ø125	Ø400	1	
XR-2000	2000	DN 150	157	4900	2400	1250	500	Ø150	Ø400	1	

STAINLESS STEEL SAND FILTER TYPE "XL"

- Manufactured with AISI 304 V2A (AISI 316 L V4A stainless steel on demand).
- Internal water distribution: Panel. (Nozzle plate on demand)
- Filtration rate: 30m³/h/m².
- From Ø1400 to Ø2400 External pikling.
- Magnesium anode protection.
- Maximum working pressure: 2.5 bar.
- Test pressure: 4 bar.



CODE	Ø	CONNECTIONS	FLOW (m ³ /h) V=50m ³ /h/m ²	DIMENSIONS							PACKING WEIGHT kg	VOLUME m ³
				A	B	C	D	E	F	G		
XL-800	800	2"	15	2050	1500	400	900	Ø400	1"	1½"	1	
XL-950	950	DN 65	22	2100	1500	500	900	Ø400	1"	1½"	1	
XL-1200	1200	DN 80	34	2200	1500	500	900	Ø400	1"	2"	1	
XL-1400	1400	DN 100	47	2300	1500	600	900	Ø400	1"	2"	1	
XL-1600	1600	DN 100	60	2400	1500	600	900	Ø400	1"	2"	1	
XL-1800	1800	DN 125	76	2540	1500	600	1000	Ø400	1½"	2½"	1	
XL-2000	2000	DN 150	95	2650	1500	600	1000	Ø400	1½"	2½"	1	
XL-2200	2200	DN 150	114	2700	1500	600	1000	Ø400	1½"	3"	1	
XL-2400	2400	DN 200	135	2750	1500	600	1000	Ø400	1½"	3"	1	