

# LAVATORY FAUCETS

- Vero™ Bath Collection
- Single Handle Deck Mount
- Single Hole Sink Applications
- Single Hole Riser Model

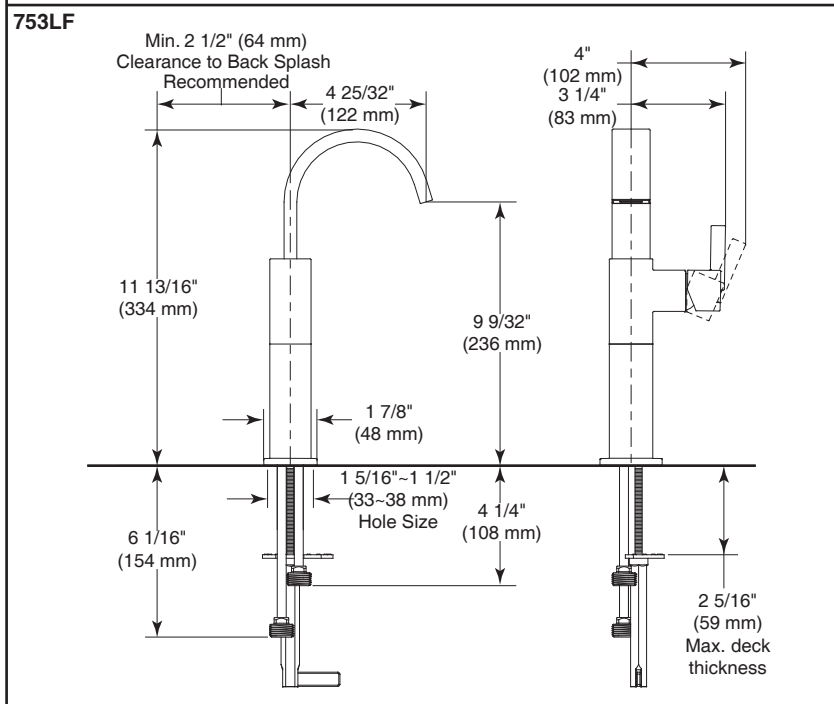
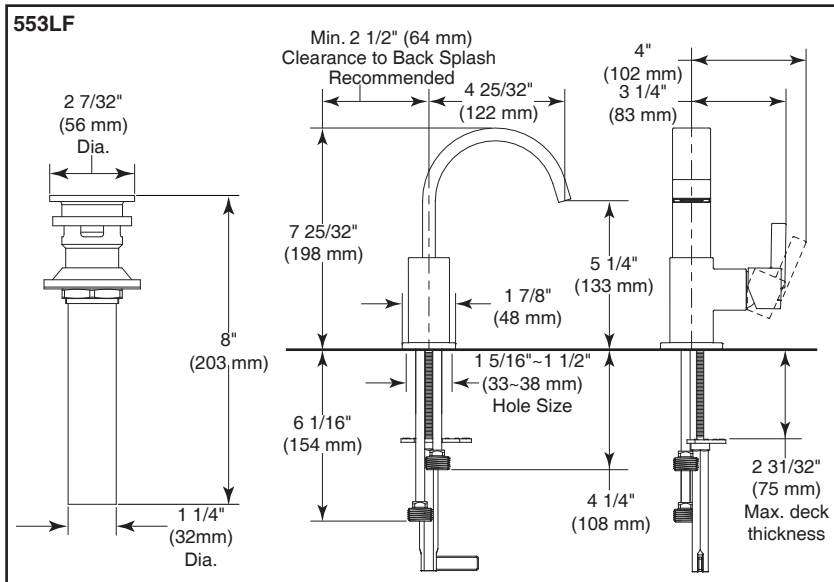
## STANDARD SPECIFICATIONS

- Solid brass fabricated end bodies.
- Single handle lavatory deck faucet.
- Control handle shall return to neutral position when valve is turned off.
- Models have 3/8" O.D. copper supply tubes with 1/2"-14 NPSM adapters.
- Metal drain with push pop-up type fitting with plated flange and stopper (Just for 553LF series models).
- Maximum flow rate 1.5 gpm @ 60 PSI.

## WARRANTY

- Lifetime Faucet and Finish Limited Warranty to the original consumer purchaser to be free from defects in material and workmanship.
- 5 Year Limited Warranty for usage in all industrial, commercial and business applications.

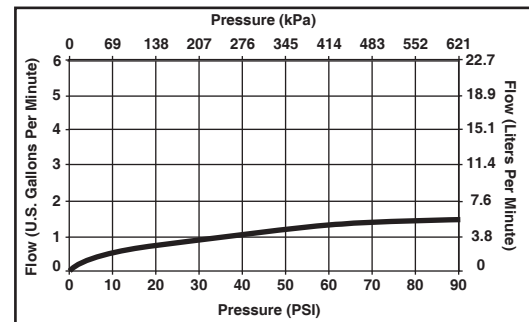
Submitted Model No.: \_\_\_\_\_  
 Specific Features: \_\_\_\_\_



## COMPLIES WITH

- ASME A12.18.1 / CSA B125.1
- ASME A12.18.1 / CSA B125.1
- ♿ Indicates compliance to ICC / ANSI A117.1
- EPA WaterSense

Verified compliant with 0.25% weighted average Pb content regulations.



55 E. 111th Street, Indianapolis, Indiana 46280  
 395 Matheson Blvd. E., Mississauga, ON L4Z 2H2  
 © 2010 Masco Corporation of Indiana

▲ Designate proper finish suffix

Delta reserves the right (1) to make changes in specifications and materials, and (2) to change or discontinue models, both without notice or obligation. Dimensions are for reference only. See full-line price book or [www.specselect.com](http://www.specselect.com) for finish options and product availability.